

NewAge Stone Composite Garage Flooring

Installation Guide



ATTENTION: Is your flooring damaged?
Need help or spare parts? For fastest service,
contact NewAge Products at 1-877-306-8930;
or support@newageproducts.com.
Do not return to the retailer.

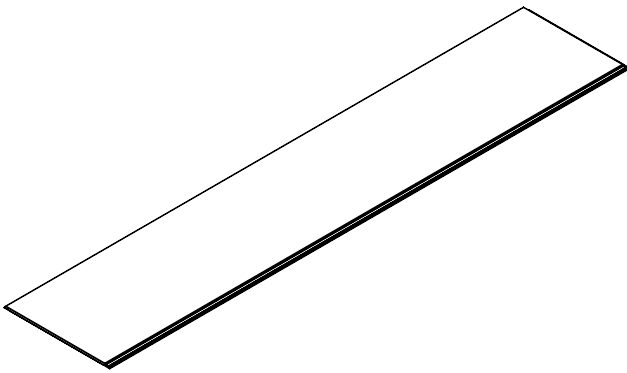
Index

<u>General Information - 3</u>
<u>Product Specifications - 3</u>
<u>Available Garage Accessories - 4</u>
<u>Tools Needed - 5</u>
<u>Precautions - 6</u>
<u>Acclimation - 6</u>
<u>Expansion gap - 6</u>
<u>Recommended Blades - 6</u>
<u>Recommended Cutting Method - 7</u>
<u>General Subfloor Preparation - 8</u>
<u>Concrete subfloors - 8</u>
<u>Radiant heating - 9</u>
<u>Baseboard and Quarter Round Preparation - 10</u>
<u>Installation Tips - 11</u>
<u>Getting Started - 12</u>
<u>Flooring installation layout - 12</u>
<u>Installation Options - 13</u>
<u>Installing The Flooring (Tiles / Planks) - 14</u>
<u>Installing The Silver Finishing Strips - 18</u>
<u>Installing the 75 Ft. EPDM Flooring Edge Trim - 21</u>
<u>Installing the Garage Door Threshold - 25</u>
<u>Care and Maintenance - 28</u>
<u>Warranty - 29</u>

General Information

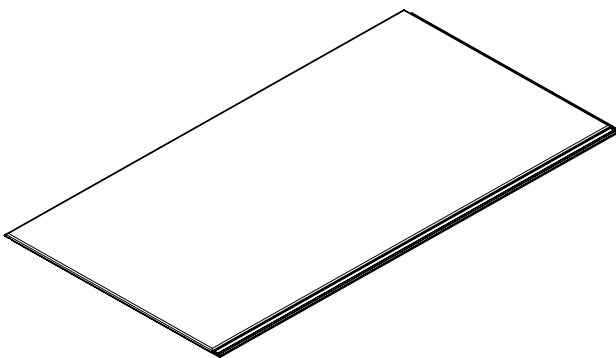
- NewAge Stone Composite Luxury Vinyl floors have been designed to withstand busy garages and commercial spaces.
- NewAge Stone Composite Luxury Vinyl floors are heavy and needs to be lifted with care. Please use proper lifting techniques when handling the products.
- For best results, mix and install planks/tiles from different cartons to achieve desirable variation.
- NewAge flooring has been designed to be an easy drop and lock system.

Product Specifications



Stone Composite Luxury Vinyl Plank

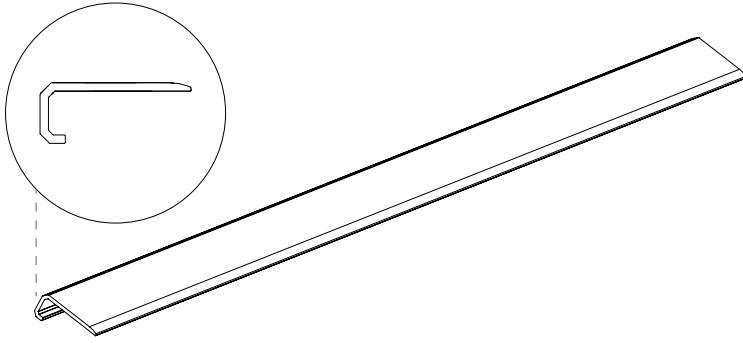
- Single Floor Plank:
L 46in x W 8.85in x 9.5mm thickness
- x5 Floor Planks in a Carton
- 14.15 SQFT Per Carton



Stone Composite Luxury Vinyl Tile

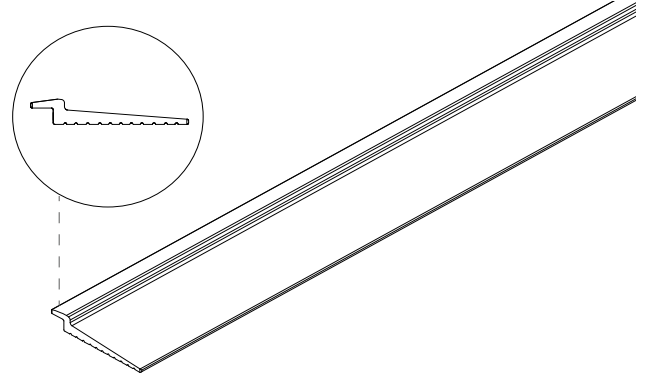
- Single Floor Plank:
L 23in x W 12in x 9.5mm thickness
- x7 Floor Tiles in a Carton
- 13.44 SQFT Per Carton

Available Garage Accessories



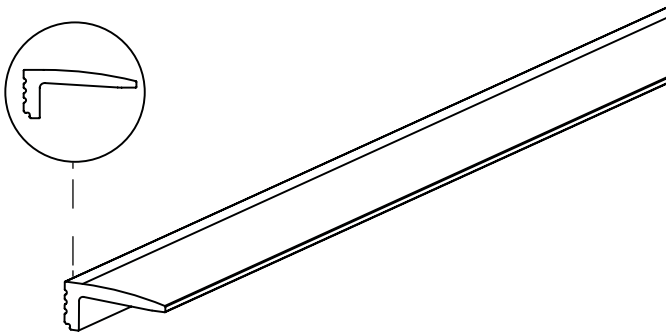
46" Silver Finishing Strip

- The Silver Finishing strips have been designed to provide a decorative edge finishing as an alternative to traditional edge finishing such as a quarter round.
- Product Dimension:
L 46in x W 0.5in x H 1.0in
- 10 Finishing strips per Kit



20ft Garage Door Threshold

- The NewAge Garage Door Threshold provides a tight seal that protects your floors and garage space from outdoor dirt.
- Product Dimension:
L240in X W 3.5in X H0.6in
- 1 Garage Door Threshold per kit.

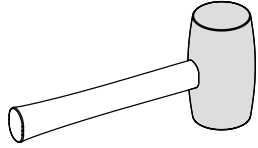


75 Ft. EPDM Flooring Edge Trim SKU: 12096

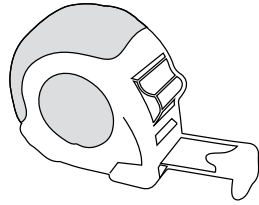
- The Flooring Edge trim strips have been designed to provide a decorative edge finishing as an alternative to traditional edge finishing such as a quarter round.
- Finishing: Black Epdm Rubber
- Product Dimension:
L 900in x W 1.378in x H 0.591in
- 1 Garage End trim per Kit

Tools Needed

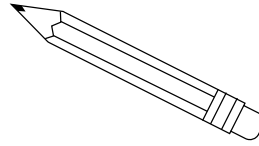
Recommended Tools



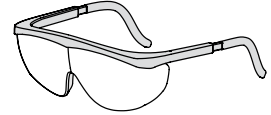
Rubber Mallet



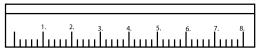
Tape Measure



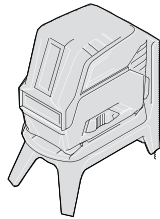
Pencil



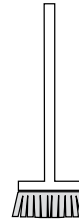
Safety Glasses



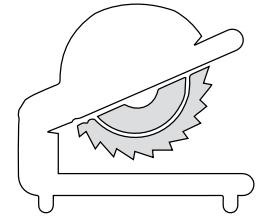
Ruler



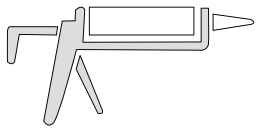
Laser level



Vacuum / Broom



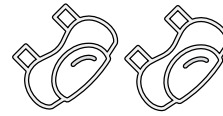
Compound Miter Saw



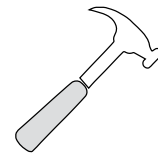
Interior/ Exterior Commercial grade Silicone Sealant



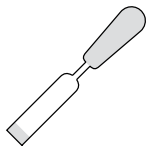
Face Mask



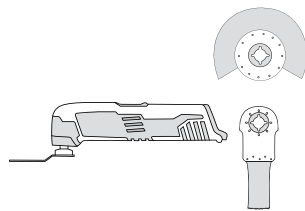
Knee Pads



Hammer



Chisel

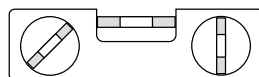


Multi Tool Cutter

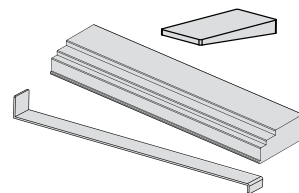
Alternative Tools



Utility Knife



Leveler



Spacers, tapping block and pulling iron

Precautions

- Do not store Floor Tile and Plank boxes on their sides. Store all boxes horizontally flat on the floor.
- Do not use heavy duty tools designed for other flooring materials or installation systems.
- NewAge luxury vinyl floor tiles and planks are finished products. Do not use any flooring finishes (wax/polish).
- NewAge luxury vinyl tiles and planks are designed for the floating installation method only. Do not glue down or secure the floor tiles and planks directly to the floor.
- Before starting installation, ensure all cartons contain the correct product.
- It is recommended to install your floors in bright daylight to observe any possible imperfections, defects or damages. NewAge will not be held responsible for any costs related to installation or visual defects post installation.
- **Warning:** Do not use studded tires on the NewAge Stone Composite Flooring.

Acclimation

- Although acclimation is not required, for best results flooring could be acclimated for 24-48 hours in its desired environment before opening the cartons.
- It is recommended to install the floors when the room temperature is at least 5°C (41°F) to 24°C (75.2°F).

Expansion gap

- Carefully follow instructions on [page 13](#) “**Installation Options**”.

Recommended Blades

Compound Miter Saw

- **NewAge Flooring :** 100 Tooth Carbide Tipped Thin Kerf Blade
- **NewAge Garage Door Threshold:** 100 Tooth Carbide Tipped Thin Kerf Blade
- **NewAge 46” Silver Finishing Strips :** 100 Tooth carbide tipped Aluminum Saw Blade

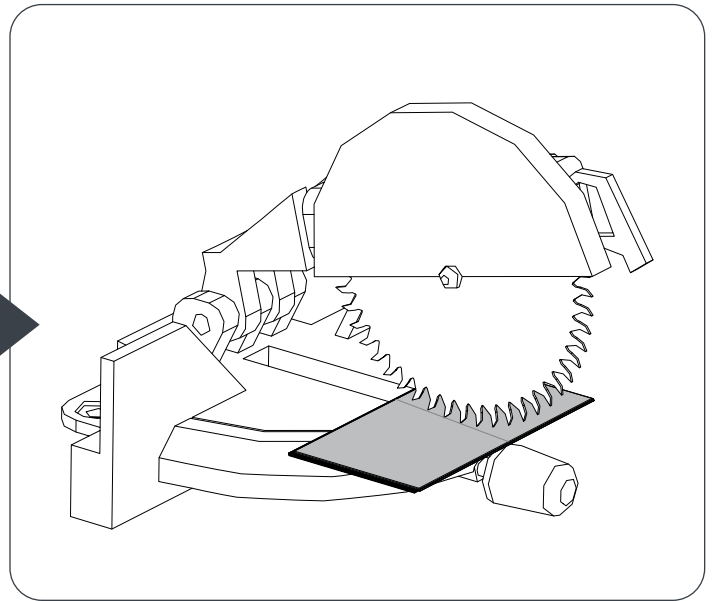
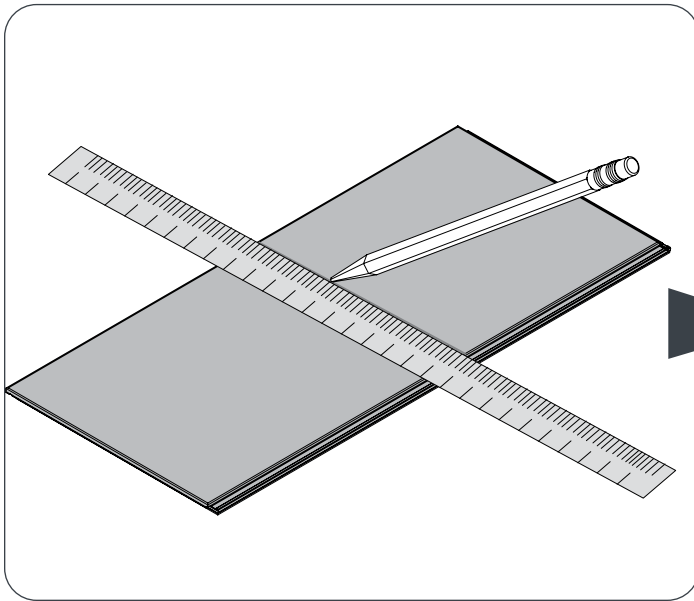
Multi-Tool Cutter

- **NewAge Flooring :** High Carbon Steel End Cut Blades
- **NewAge Garage Door Threshold/ 75ft EPDM End Trim :** High Carbon Steel End Cut Blades
- **NewAge 46” Silver Finishing Strip:** A Semi Circular Bi Metal Saw Blade

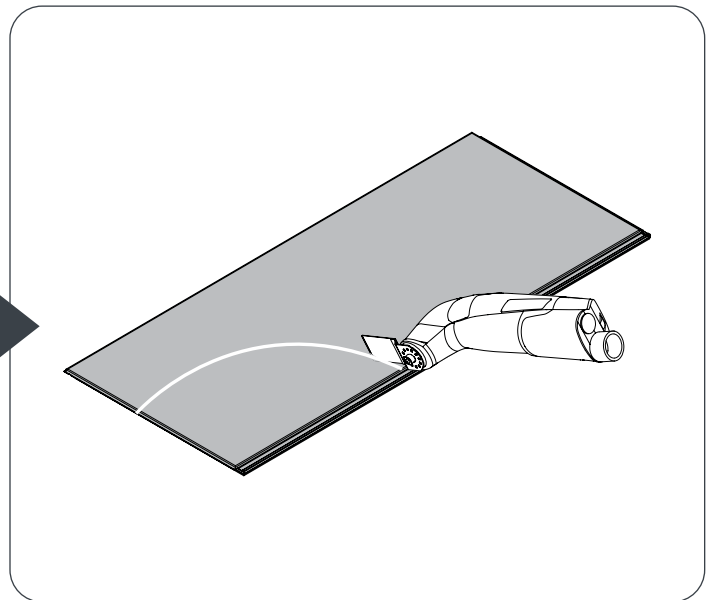
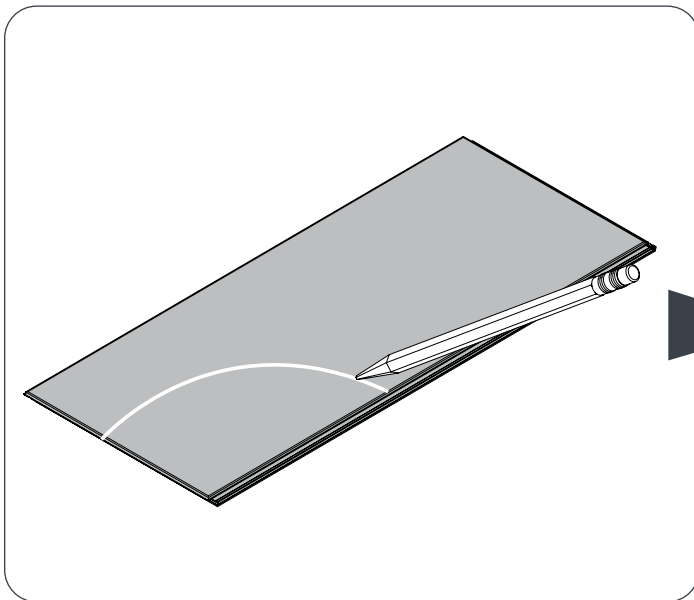
Recommended Cutting Methods

Warning: Be sure to wear a face mask and safety glasses to protect yourself from the dust while cutting the floor tiles, planks and accessories.

1 For large simple and straight cuts , use a compound miter saw.



2 For smaller and complicated cuts, use a multi-tool cutter.

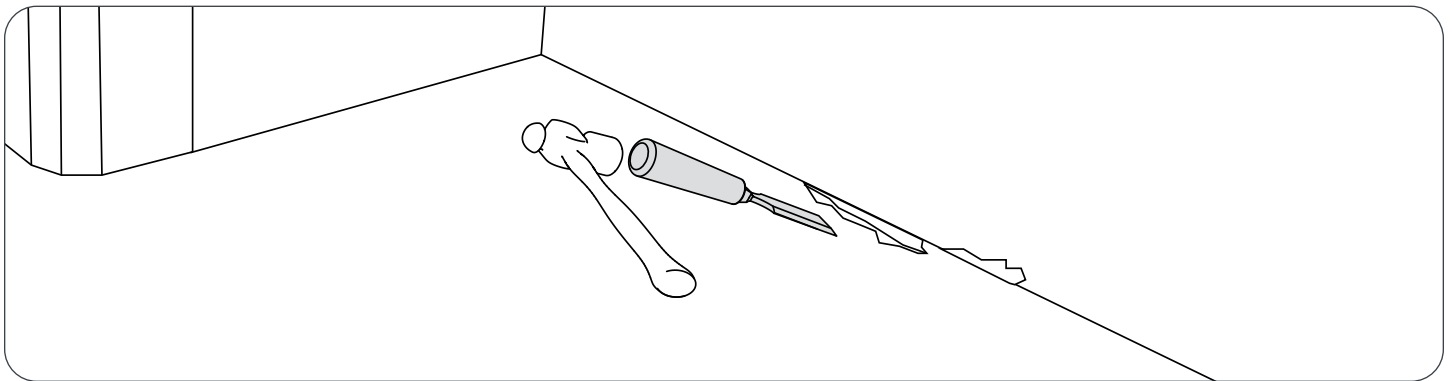


- **Tip:** When using a Multi-Tool cutter on your NewAge Floor Tiles, Planks and Accessories, it is recommended to use a slower cutting speed until you are comfortable to cut faster. This would allow you to gain more control and avoid any errors.

General Subfloor Preparation

Preparing your space - General

- Correctly preparing your subfloors plays a large part of a satisfactory installation. The NewAge Stone Composite Flooring uses a “floating floor” installation method which can handle minor floor imperfections. If you have large gaps or protrusions in your subfloors, NewAge Stone Composite Flooring will not be able to cover them.
- It is not suitable to install NewAge flooring on carpet. All carpet and carpet track’s should be removed before installation.
- Prior to installing your floors, use a vacuum to remove all dust and debris.
- Ensure the surface is structurally sound, flat, clean and dry before installing NewAge Flooring. If your floors are wet, make sure you wait until they are fully dry before proceeding with the install.
- Leave at least a 0.5” gap between the surface of the floor and the bottom of an electric baseboard heater to allow heat to circulate.
- Subfloor flatness should not exceed 3/16” per 10ft (4.7mm per 3m radius). Subfloors must be leveled before starting the installation of the NewAge Stone Composite Tiles and Planks.
- Chisel any uneven surfaces on the floor before starting the flooring install.



Concrete subfloors

- Make sure all surfaces are dry, clean and free of dust, wax, solvents, paint, grease, oils and old glue residue.
- Sand or grind any raised areas.
- Gaps and holes should be filled with concrete and finished with a straight edge to even the floor out.
- It is important to test the moisture level before starting the install. Using a concrete moisture meter, the moisture vapor emission rate should not exceed 5lbs per 1000sqft in 24hr. If in Situ probe testing is to be carried out, according to ASTM F2170, it should not exceed 85%. These tests would not predict the condition of your floors for long-term and would only indicate the condition of your floors at the time of the test being conducted.

Note: If you have done concrete work in the desired space, sub-floors must properly cure and be left to dry for at least 60 days before installing NewAge Stone Composite Flooring.

General Subfloor Preparation

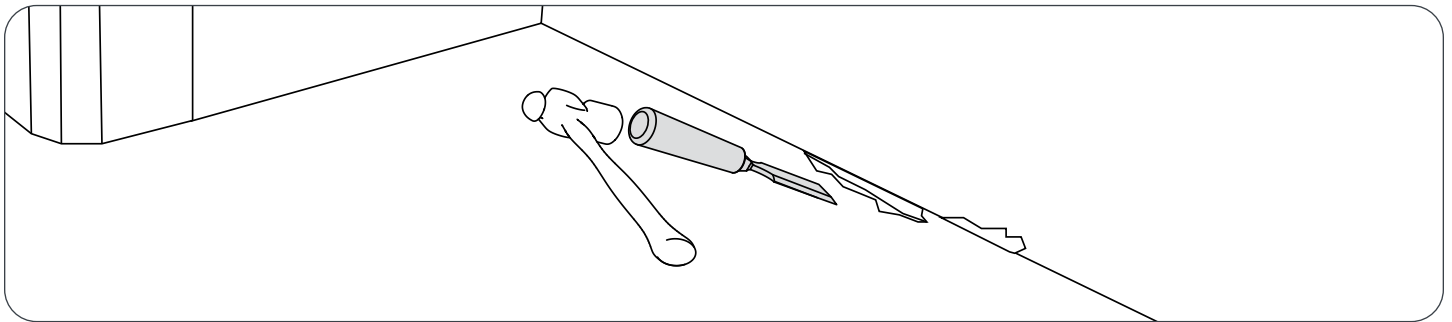
Radiant heating

- NewAge Stone Composite Flooring is suitable to be installed over radiant heating systems as long as the heating element is not in direct contact with the flooring. Leave at least 1/2" gap between the Floors and radiant heat systems.
- If the radiant heating has been newly installed, leave the system on and operational for at least 2 weeks prior to installation. This would reduce the moisture levels in the concrete.
- Turn off the heating system for 24 hrs before and after installing NewAge Stone Composite Flooring.
- It is recommended for the desired room to be 5°C (41°F) to 24°C (75.2°F) prior to installation. You may need to use other heating methods prior to install.

Baseboard and Quarter Round Preparation

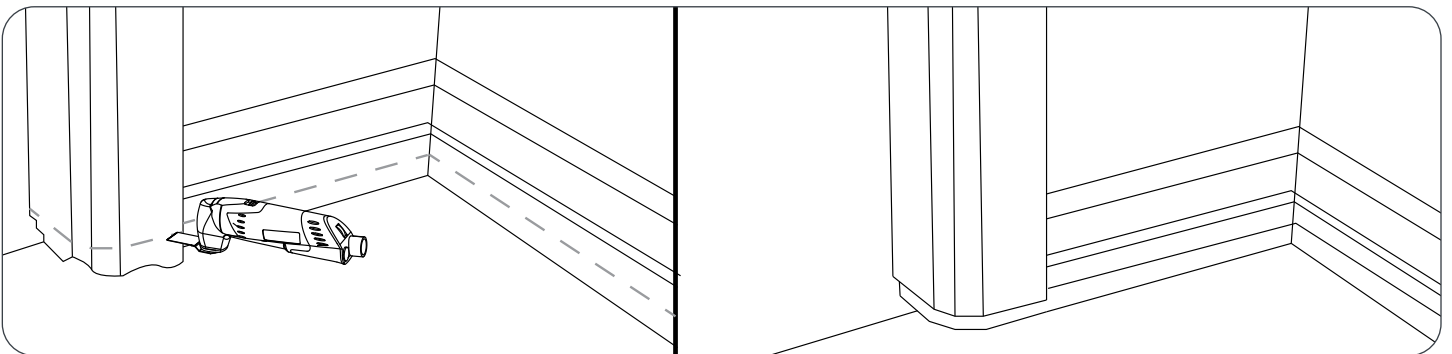
Option 1: Installing Interior flooring before baseboards and quarter rounds.

- If there are pre-installed baseboards in need of replacement, remove old baseboards and quarter rounds.
- If new baseboards and quarter rounds need to be installed, install these items after the floors have been completed.
- Chisel any uneven surfaces on the floor and wall before starting the install.
- Ensure the general space preparation has been completed before starting install. Reference [page 8](#).
- Ensure Concrete subfloor or Radiant Heating subfloor requirements has been followed. Reference [page 8-9](#).



Option 2: Installing Interior flooring with pre-installed baseboards and quarter rounds.

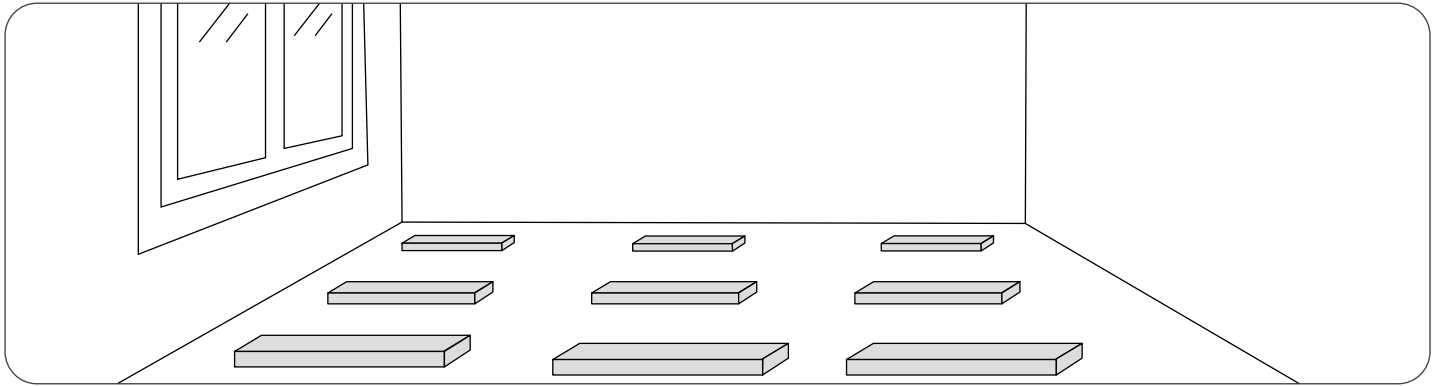
- NewAge Stone Composite flooring can not be installed with pre-installed quarter rounds. All Quarter rounds need to be removed before starting install.
- Once all quarter rounds have been removed, cut approximately 11mm off the bottom of your baseboards to have enough space for the 9.5mm floor planks or tiles.



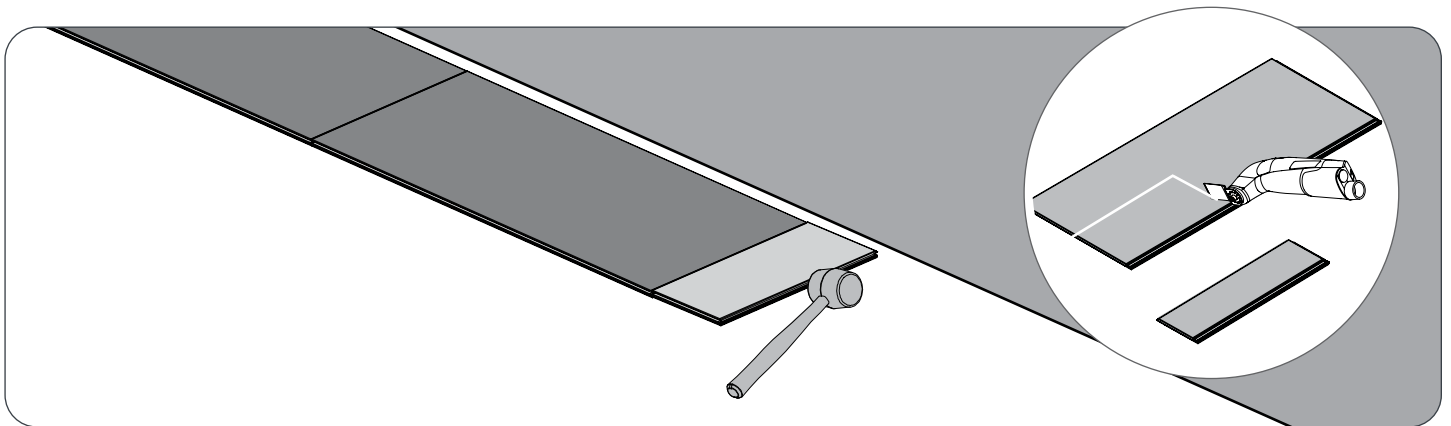
- **Note:** If previous floors are thicker than the new Luxury Vinyl Floors, you may need to purchase a new door casing or plinth block.
- Quarter rounds will need to be installed after the flooring is complete.
- Ensure the general space preparation has been completed before starting install. Reference [page 8](#).
- Ensure Concrete subfloor or Radiant Heating subfloor requirements has been followed. Reference [page 8-9](#).

Installation Tips

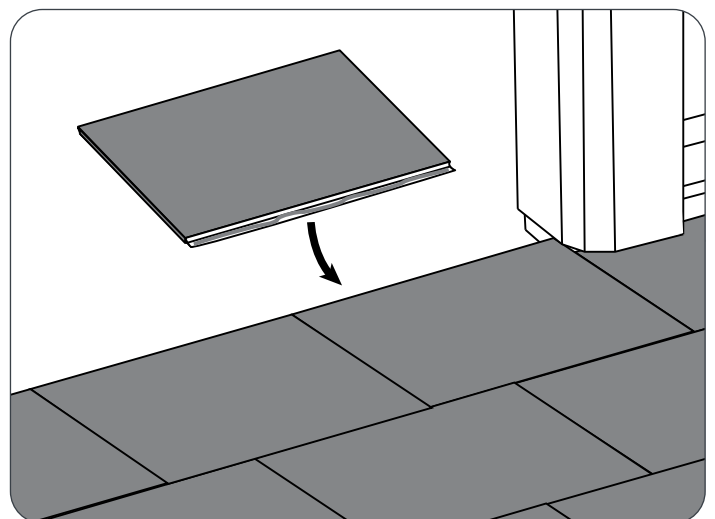
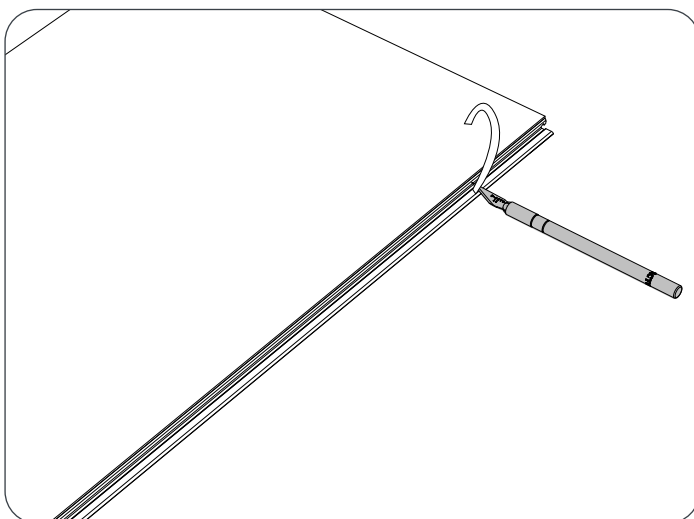
TIP - 1 : To make installation easier and quicker, equally distance your boxes of planks or tiles on your floors. This would allow you to better plan your install.



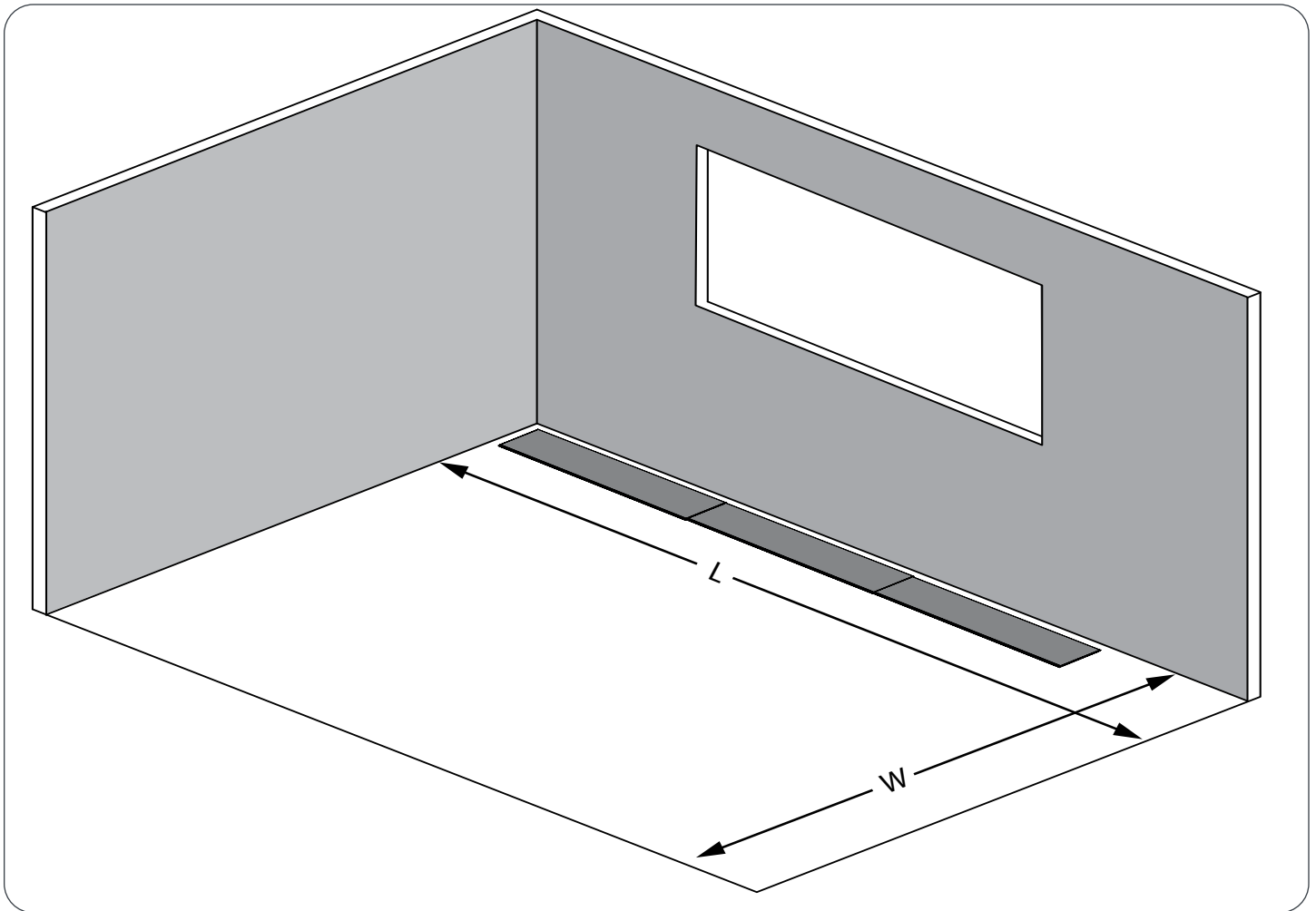
TIP - 2 : Cut a piece of tile/plank and use it as a tapping block.



TIP - 3 : When installing flooring around door trims and it is challenging to use the click lock profiles, remove the top section of the click lock profile to allow you to slide in the plank or tile under the installed floor. Apply the recommended silicone , on [page 5](#), along the click lock profile and slide it under the installed flooring. Make sure to wipe off any excess glue and ensure glue used will dry in clear colour.



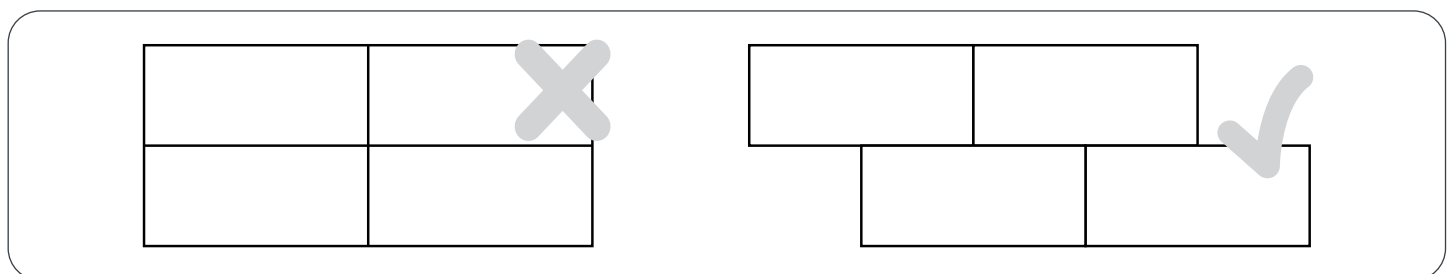
Getting Started



- To determine the number of rows of tile/planks are required, measure the width of the room and width of the planks or tiles.
- Divide the width of the room by the width of the planks / tiles to get the number of rows required.
- If the last row is less than the width of a full tile or plank, cut the first row accordingly such that the first row and last rows are of even widths.

Flooring installation layout

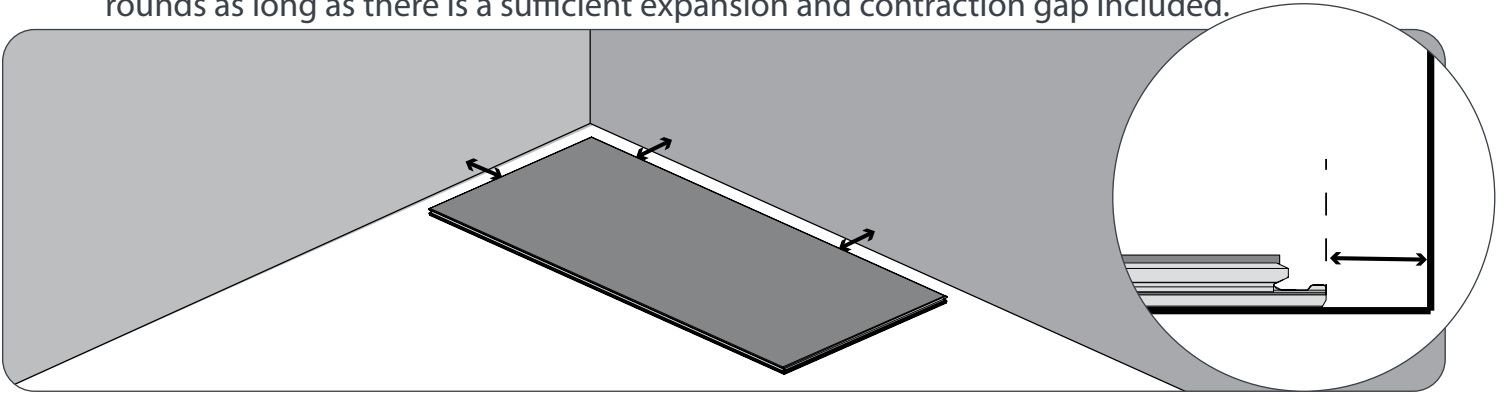
- It is recommended to lay the long side of the Planks or Tiles parallel to the longest wall or main window of the room.
- When installing the floors, stagger the tiles/planks to ensure a secure installation .



Installation Options

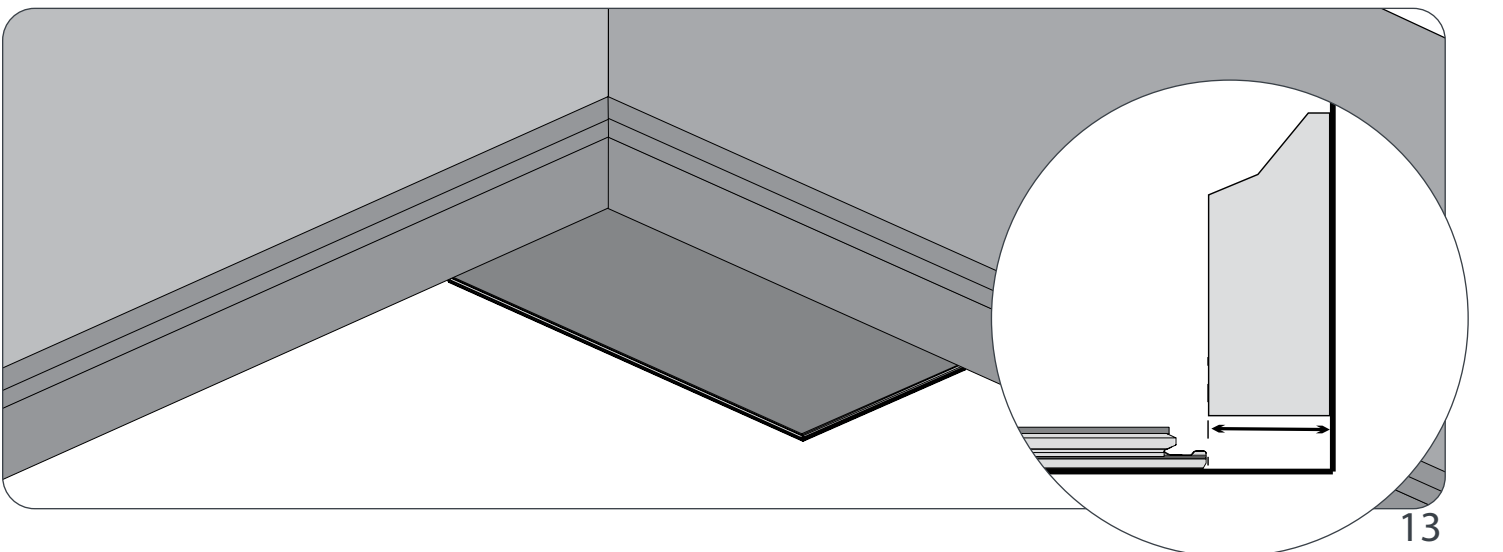
Option 1 : Installing NewAge Garage Flooring only

- Ensure you have followed the recommended steps on [page 10](#).
- For expansion and contraction, it is recommended that 0.25% of the longest width is calculated.
Example : W 10 ft x L 4 ft garage space.
10 ft = 120 inches
120 inches multiplied by 0.25% = 0.3 inches divided by 2 (for left hand and right hand walls)
= 0.15inch expansion and contraction gap from all sides.
- Using the example above, calculate the required expansion and contraction gap. Mark the perimeter of the room to ensure the correct gap is left.
- The gap calculated is enough to install the Silver Finishing Strips at the end. Read the instructions for installing the Silver Finishing Strips on [page 18-20](#) before starting.
- If installing the 75ft EPDM end trim, consider an additional 0.2in / 5mm space in addition to the expansion gap calculated. This will accomodate the material thickness of the accessory.
- Customers have the option of installing their own finishing strips, baseboards and quarter rounds as long as there is a sufficient expansion and contraction gap included.



Option 2 : Installing NewAge Garage Flooring with pre-installed baseboards

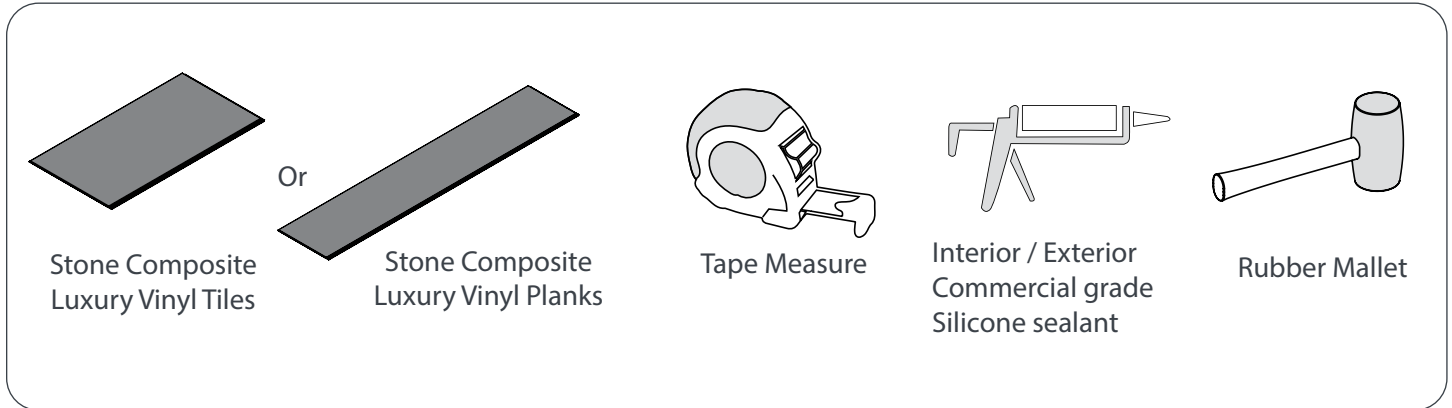
- Ensure you have followed the recommended steps on [page 10](#).
- Once your space has been prepared and all quarter rounds have been removed , line your tile or plank along the edge of your baseboard.
- This will need to remain the same along the perimeter of the room.
- Quarter rounds will be installed once the flooring install has been completed.
- The expansion and contraction gap will need to match the description in Option 1, [page 13](#).



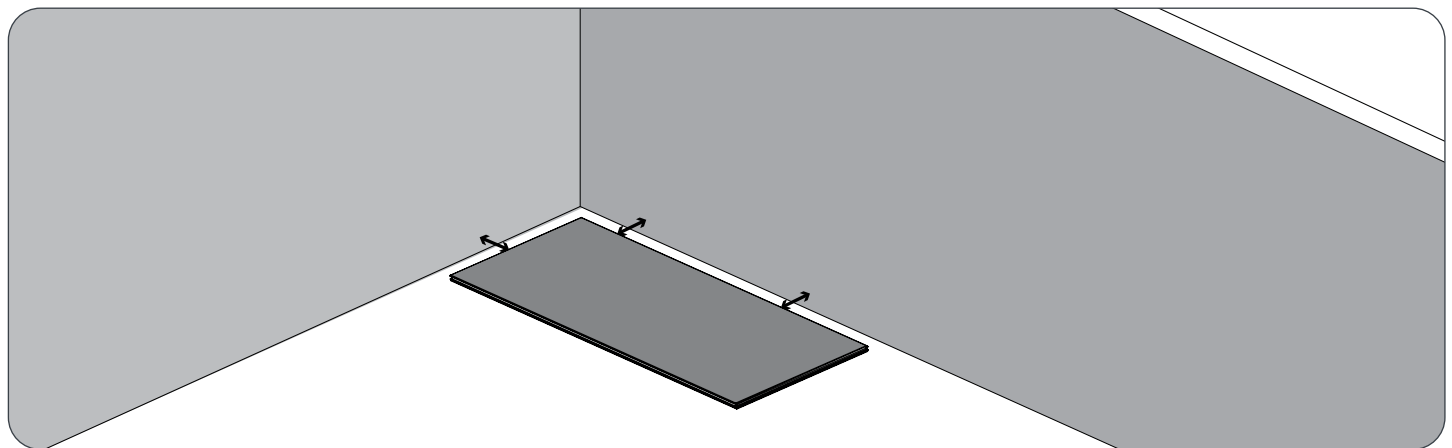
Installing the Flooring (Tiles / Planks)

Note: Installation layout for the Stone Tiles and Wood planks are the same.

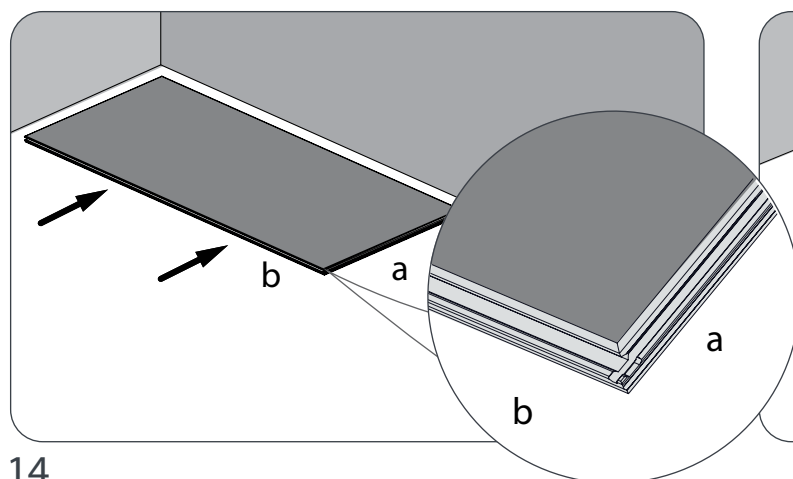
Parts required



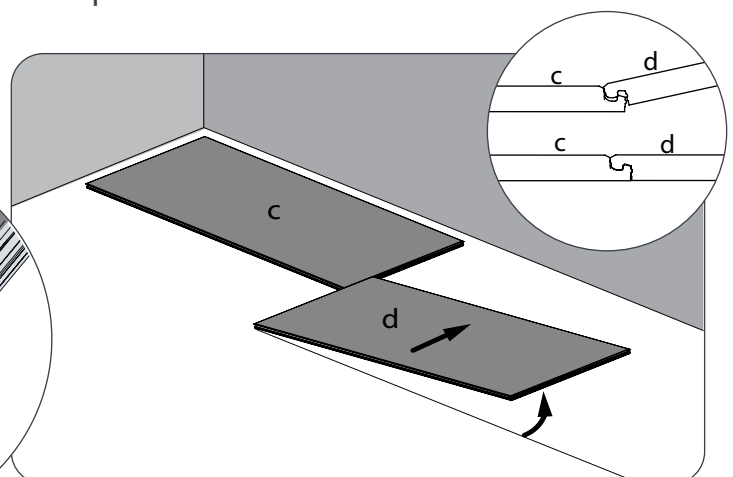
- 1** Make sure you have followed the recommended space preparation and read through the different Install Options on [page 12-13](#). Ensure you have measured the correct expansion gap.



- 2** Make sure the open click profiles of the first tile is at the bottom and right hand side away from the walls.

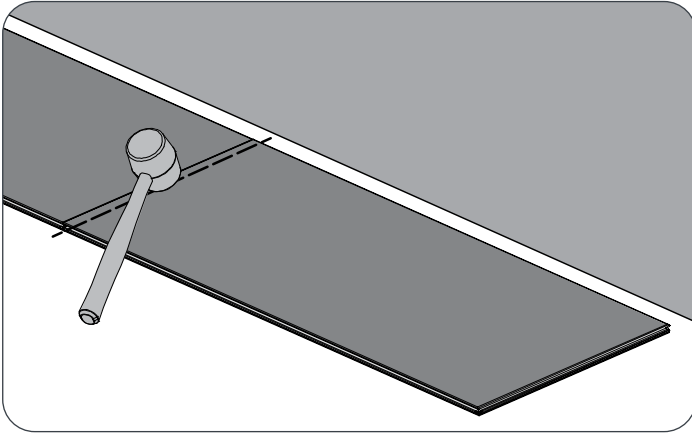


- 3** Place the second tile, on a slight angle, against the first floor tile. Slide the tile to position.

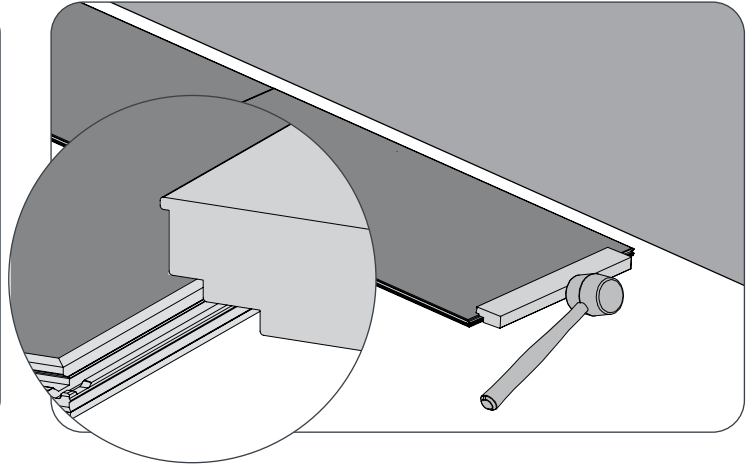


Installing the Flooring (Tiles / Planks)

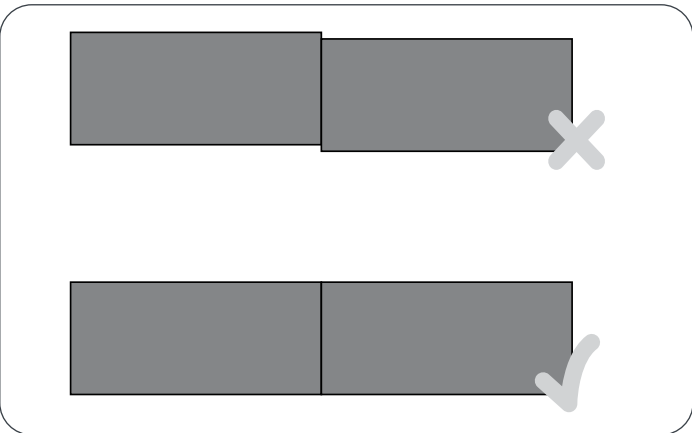
- 4** Using a rubber mallet, tap along the drop click profile with medium force to secure a tight seam.



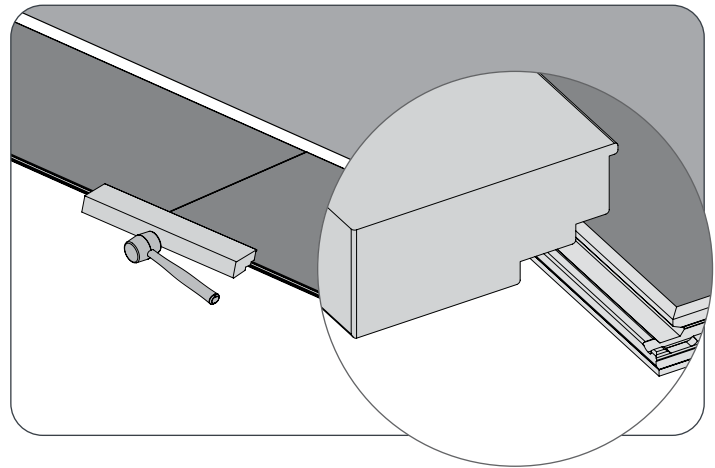
- 5** Place the tapping block along the open click profile of the short edge and tap over it with a rubber mallet. This ensures a tight install.



- 6** Make sure the edges are aligned perfectly.

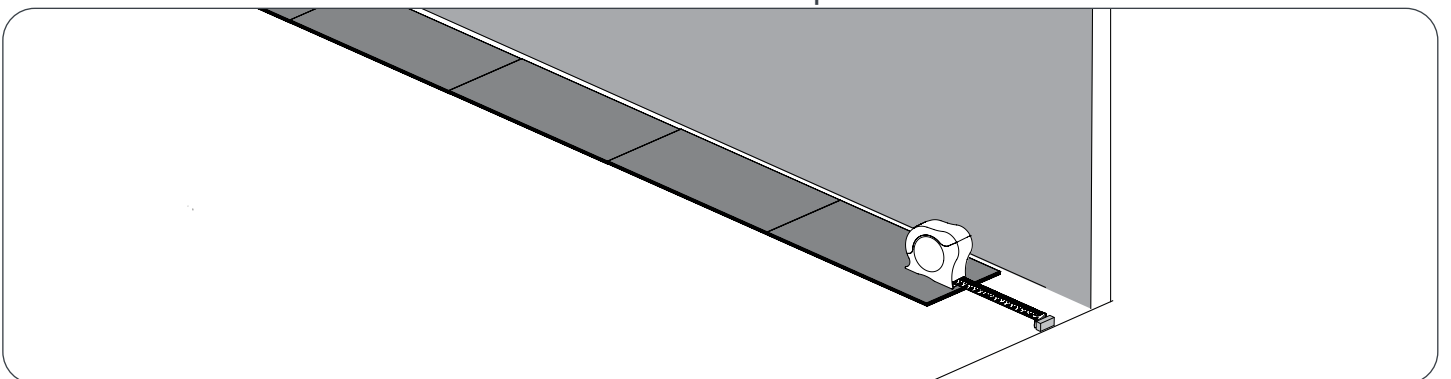


- 7** Place the tapping block on the open click profile of the long edge and tap over it with a rubber mallet to align the tiles.



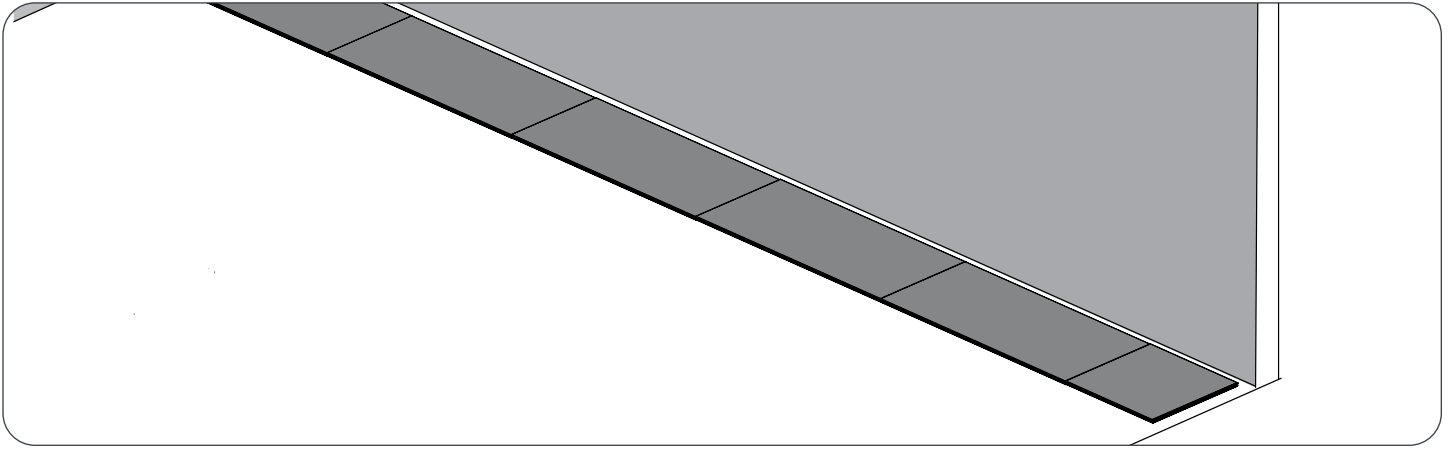
- 8** Follow steps 1 to 7 for remaining row of tiles. Measure the space left for the last tile using a tape measure.

- 9** Cut the tile to required length. Refer to the [page 7](#) for "**Recommended Cutting Method**". Note: Ensure there is proper clearance from the wall based on your preferred installation.



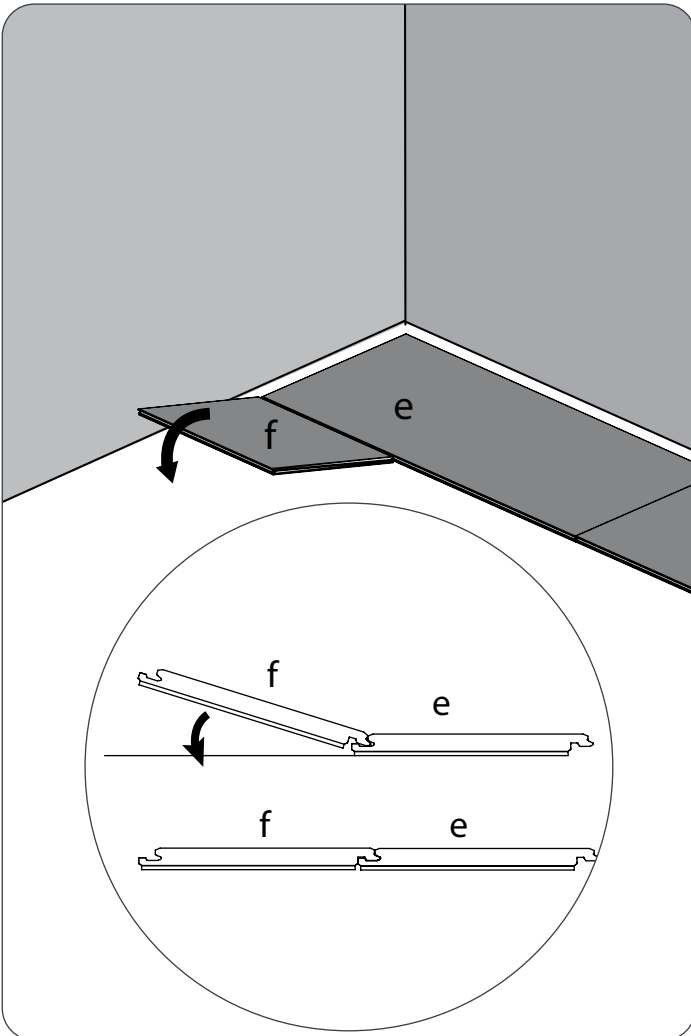
Installing the Flooring (Tiles / Planks)

10 Install the last tile of the first row.

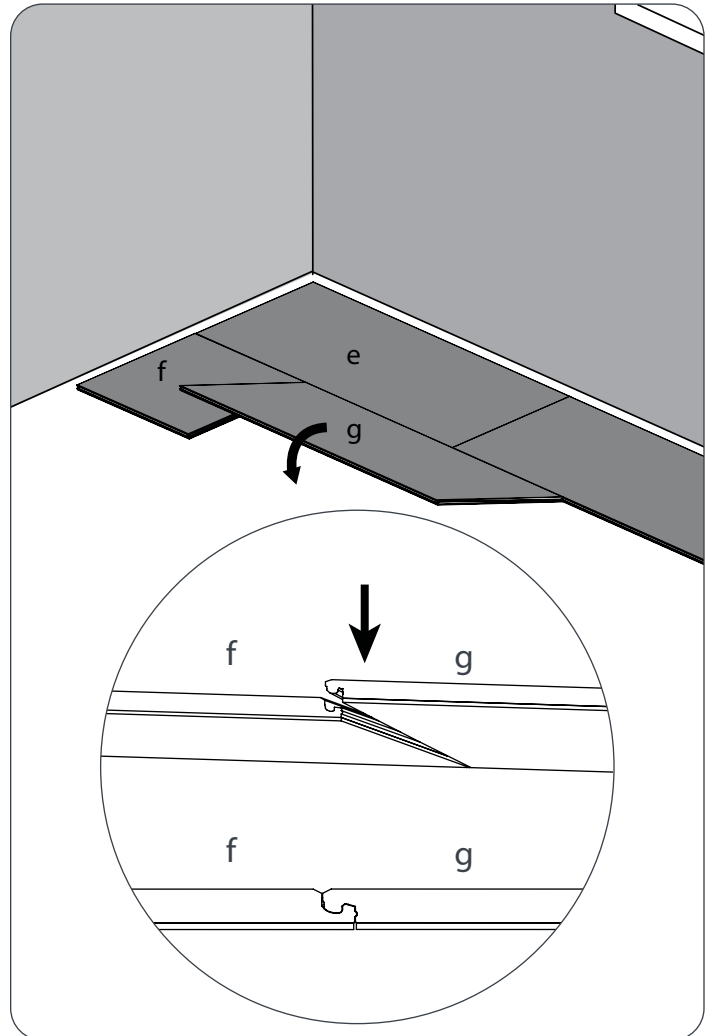


Note: When starting the second row, cut the first tile in half or use the leftover from the first row.

11 Place your tile on an angle along the long edge of the first row and drop the tile down. Repeat steps 4 - 7 for each tile.

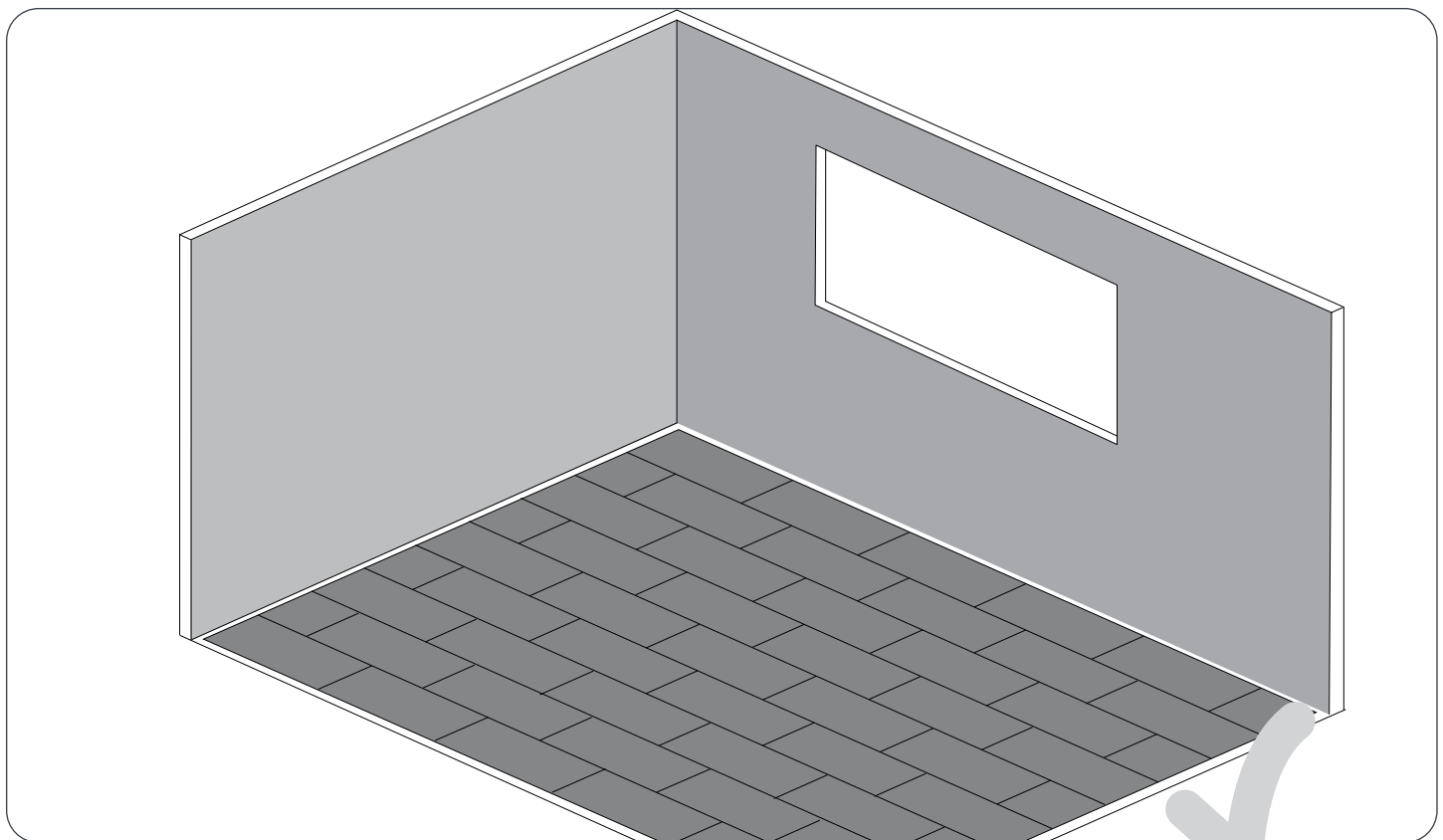
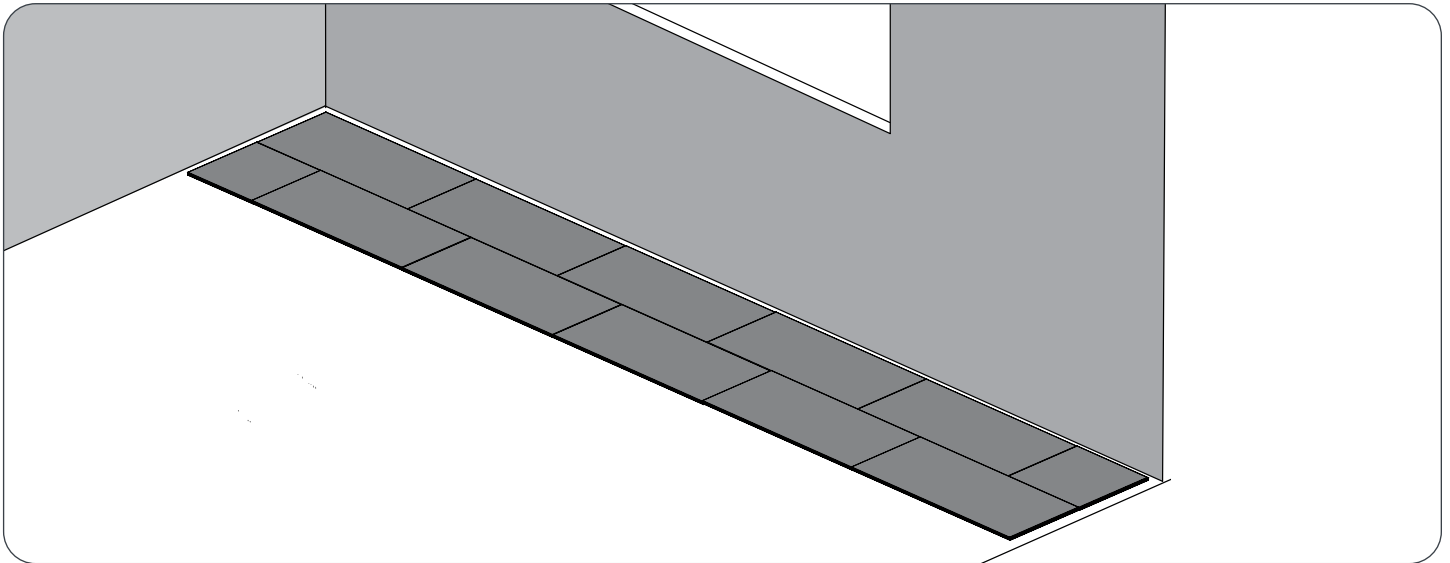


12 Place your second tile on an angle along the long edge of the first row and drop the tile down.



Installing the Flooring (Tiles / Planks)

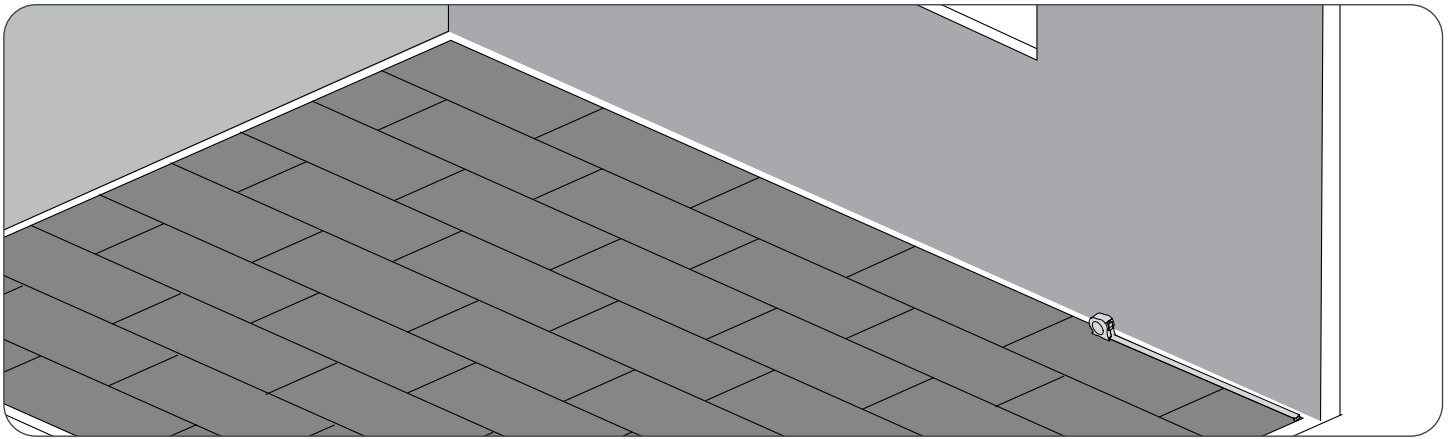
13 Follow steps 1 to 12 for remaining row of tiles.



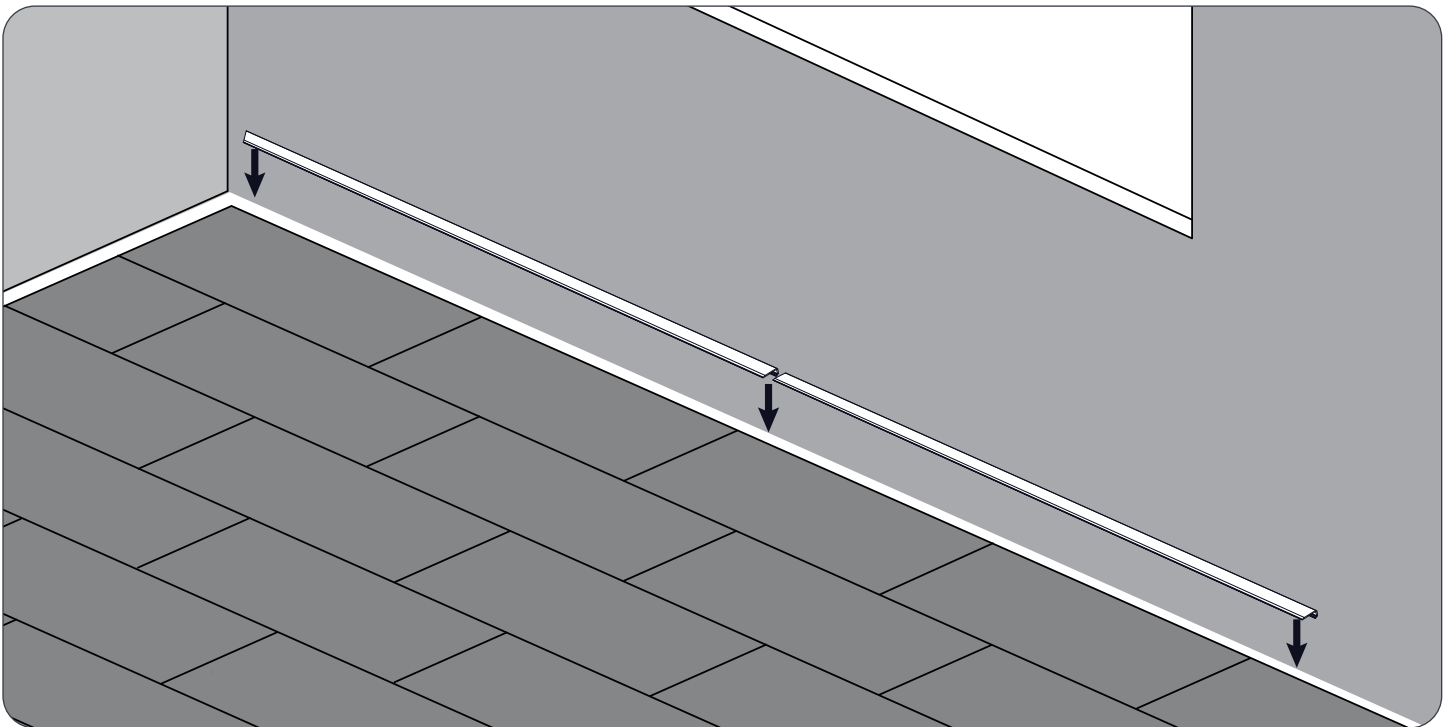
Note: If NewAge Silver Finishing Strips are not being installed, baseboards and quarter rounds may now be installed to complete your space.

Installing the Silver Finishing Strips

- 1 Measure the length of the wall and calculate how many finishing strips are needed.

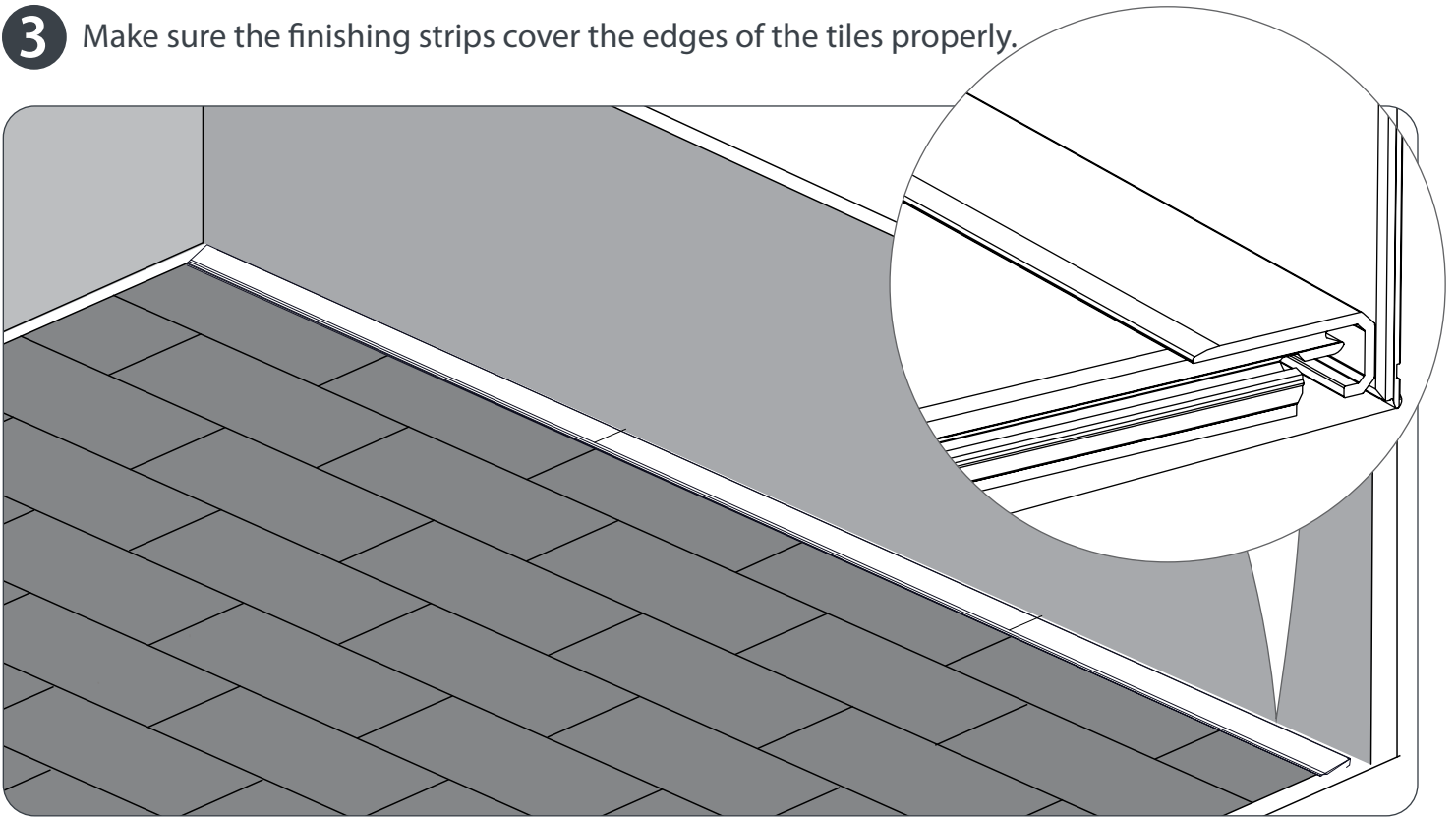


- 2 Carefully place the finishing strips along the edges against the wall.

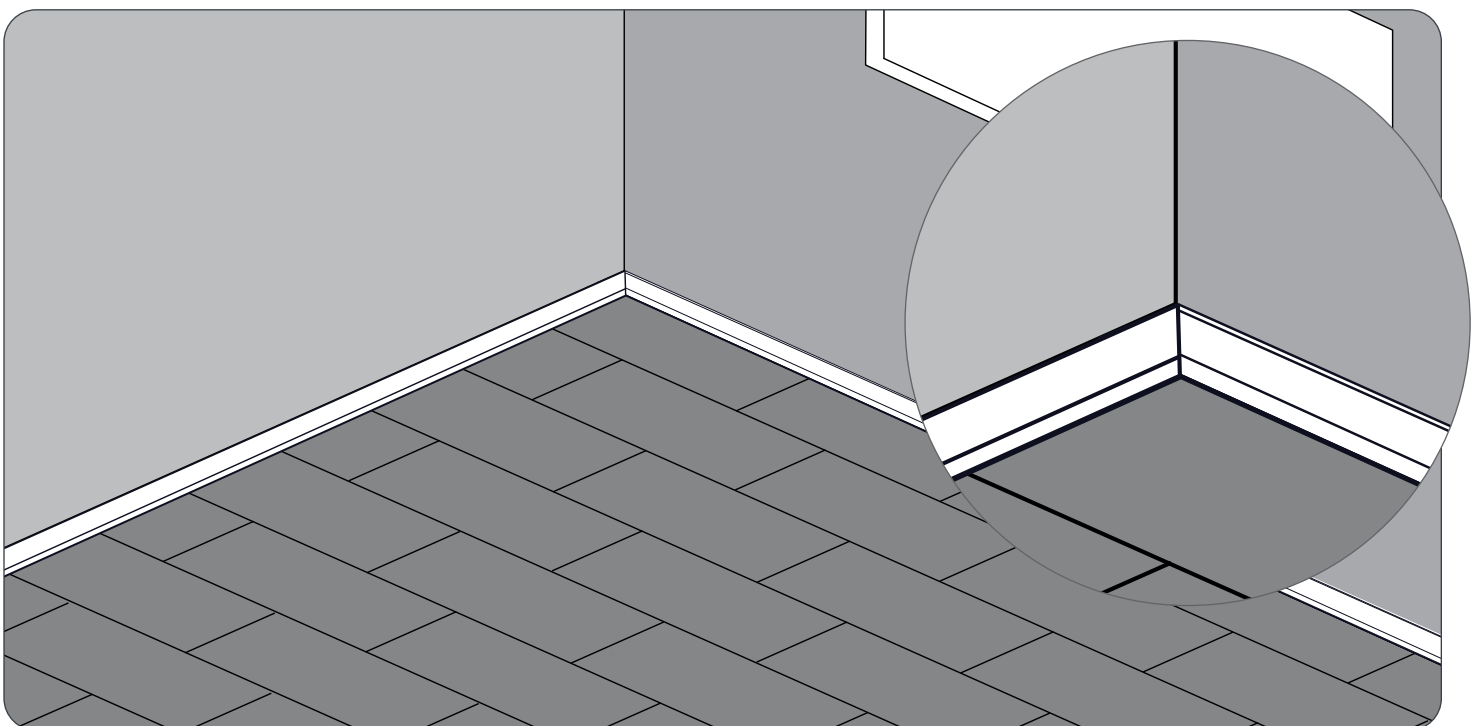


Installing the Silver Finishing Strips

- 3** Make sure the finishing strips cover the edges of the tiles properly.

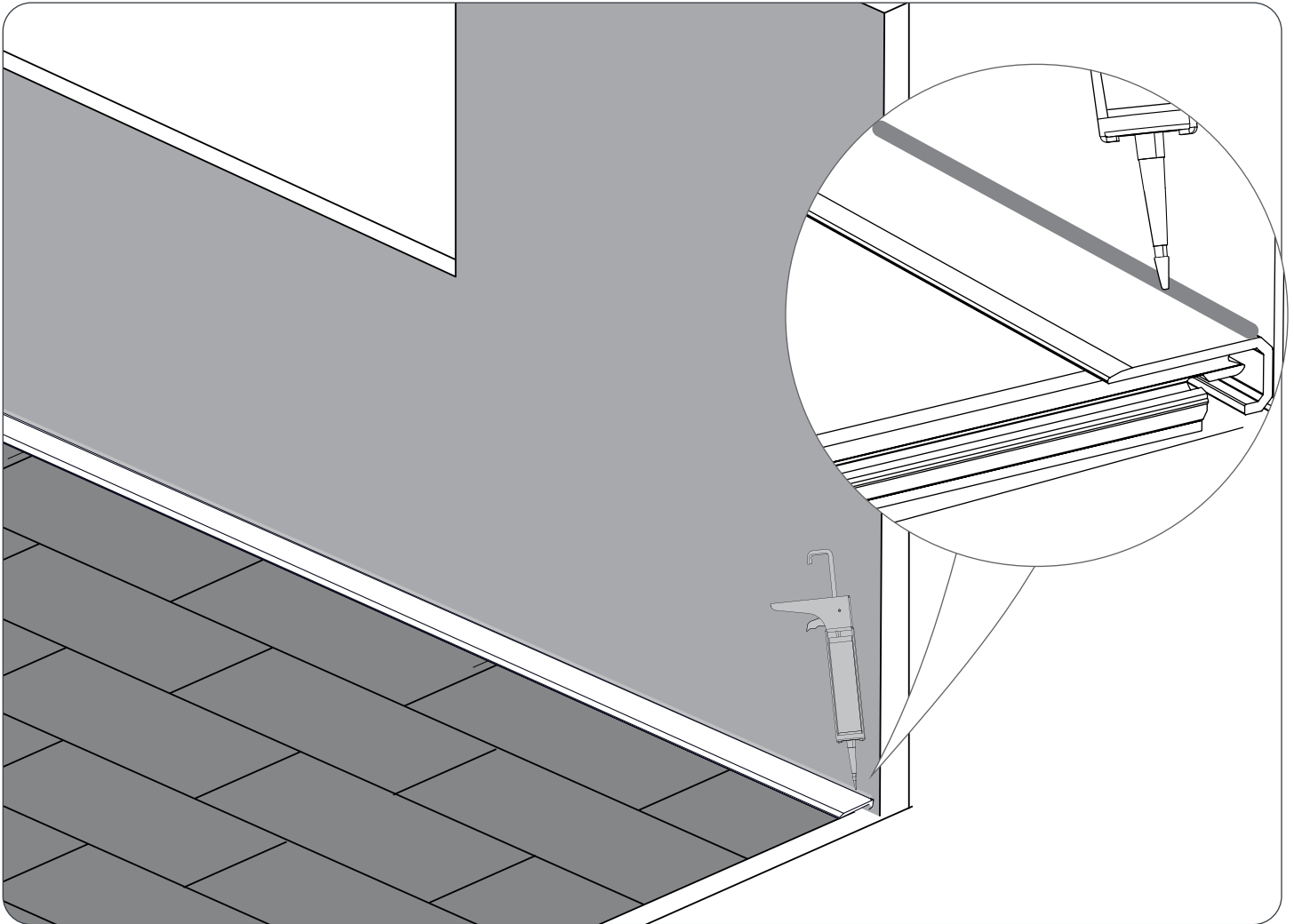


- 4** Follow steps 1 to 3 for the remaining finishing strips. For corner set ups, miter cut the ends of the finishing strips to 45 degrees.



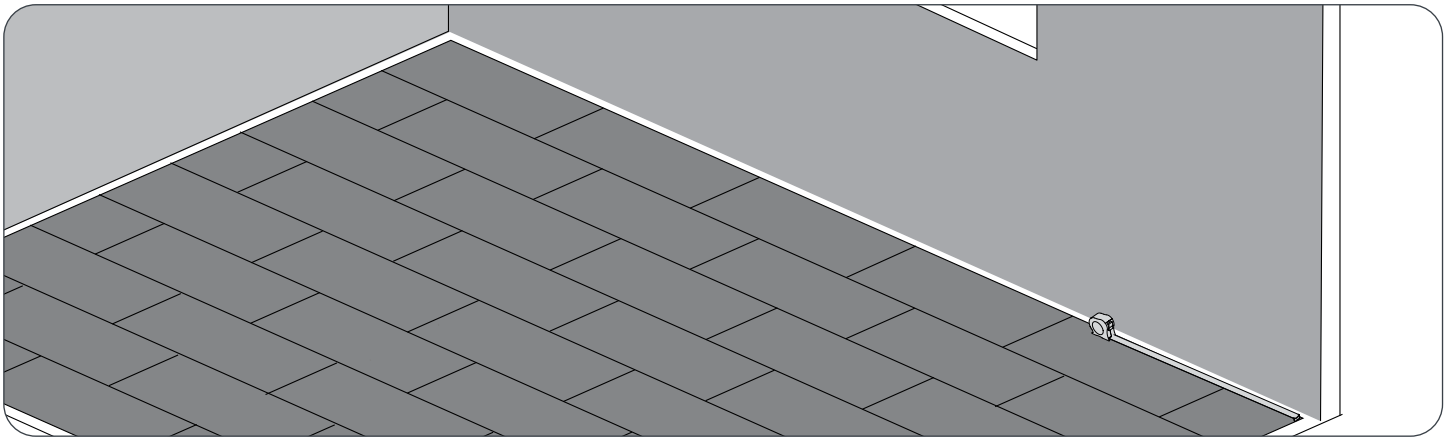
Installing the Silver Finishing Strips

- 5 Once all the silver finishing strips have been placed, evenly apply silicone on the top of the strip. It is recommended to apply the silicone towards the end of the install.

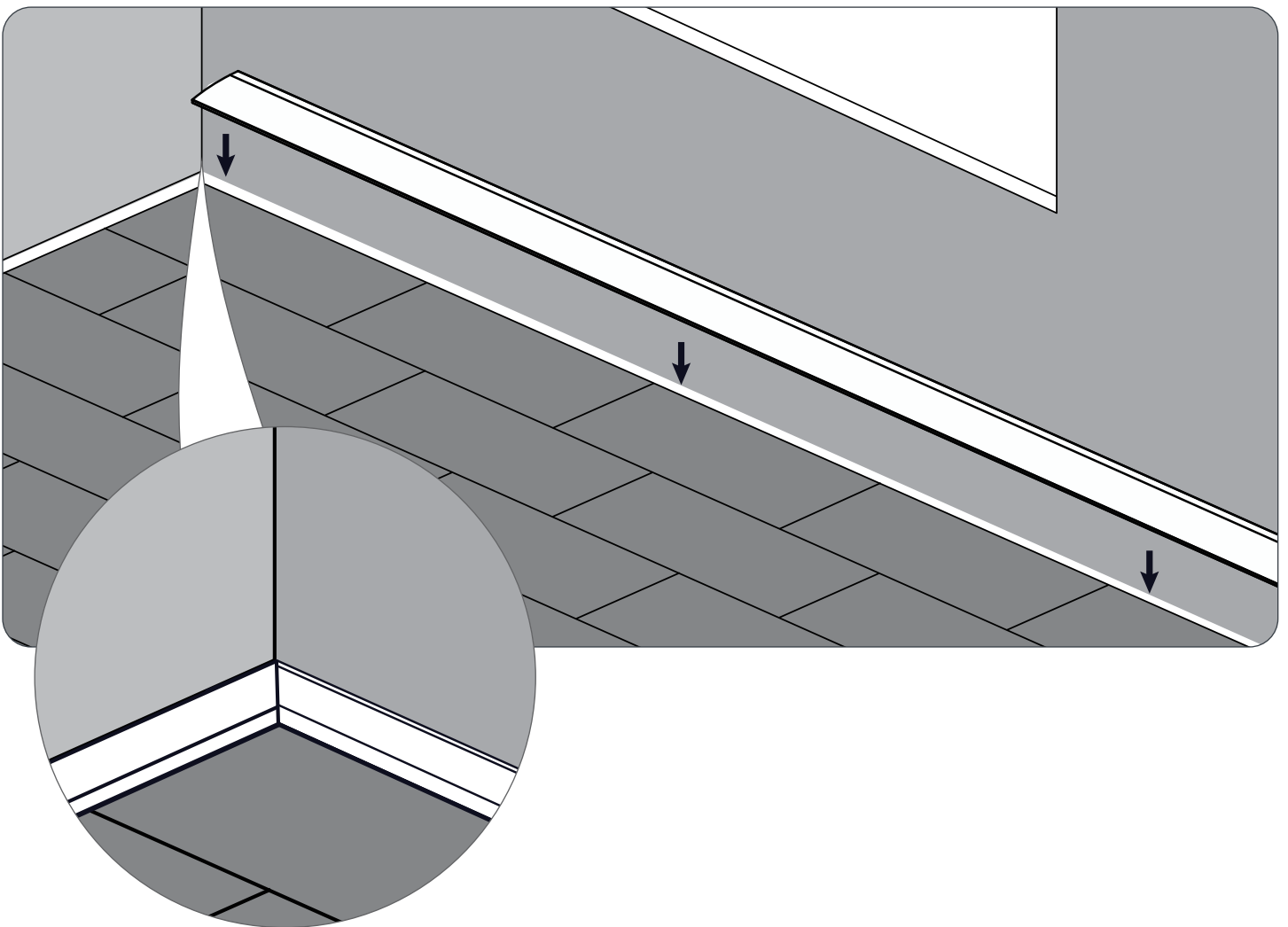


Installing the 75 Ft. EPDM Flooring Edge Trims

- 1** Ensure the correct expansion and contraction gap is calculated , refer to [page 13](#). Measure the length of the wall and cut the necessary end trim length from the rolled product.

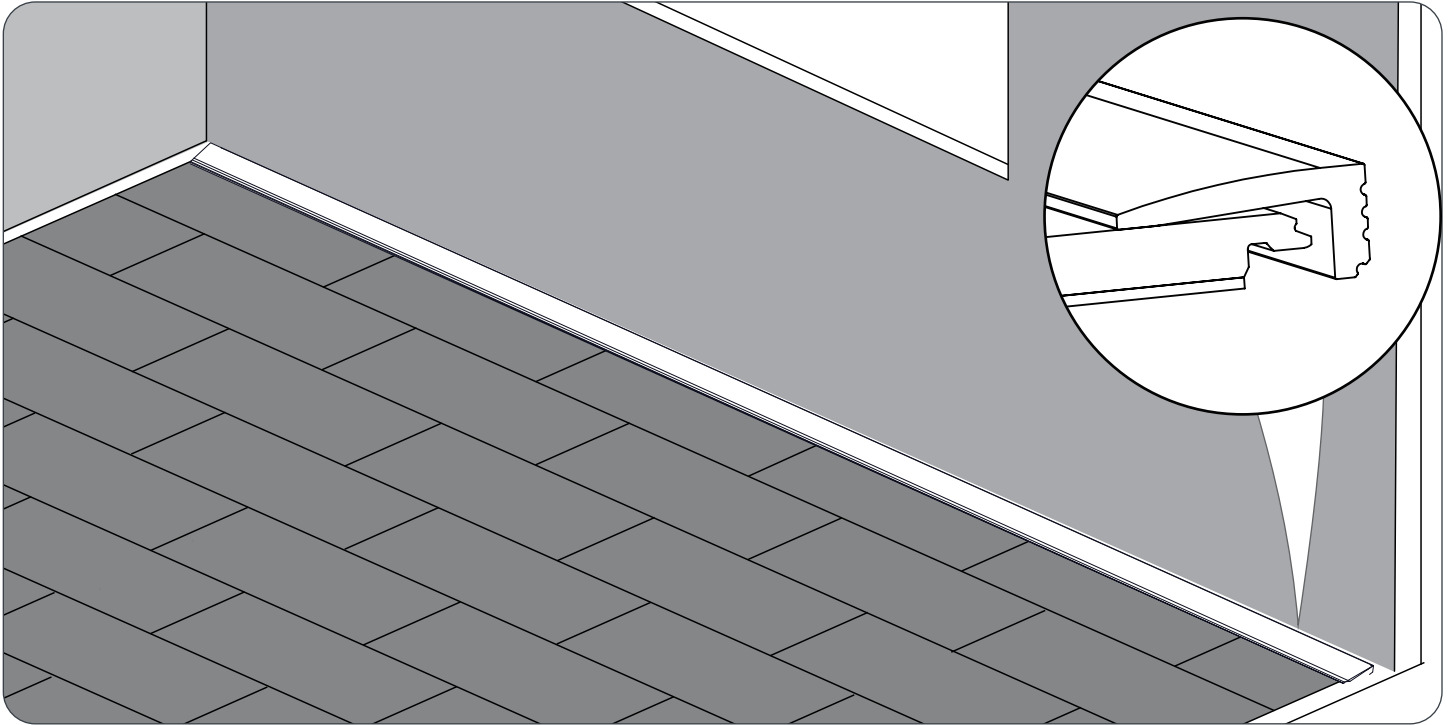


- 2** Carefully place the EPDM Edge Trims along the edges against the wall. Make sure to miter the end of each strip in a 45 degree cut, for corner installs. This step is to ensure the trim fits properly into the gaps and all parts are ready for install.

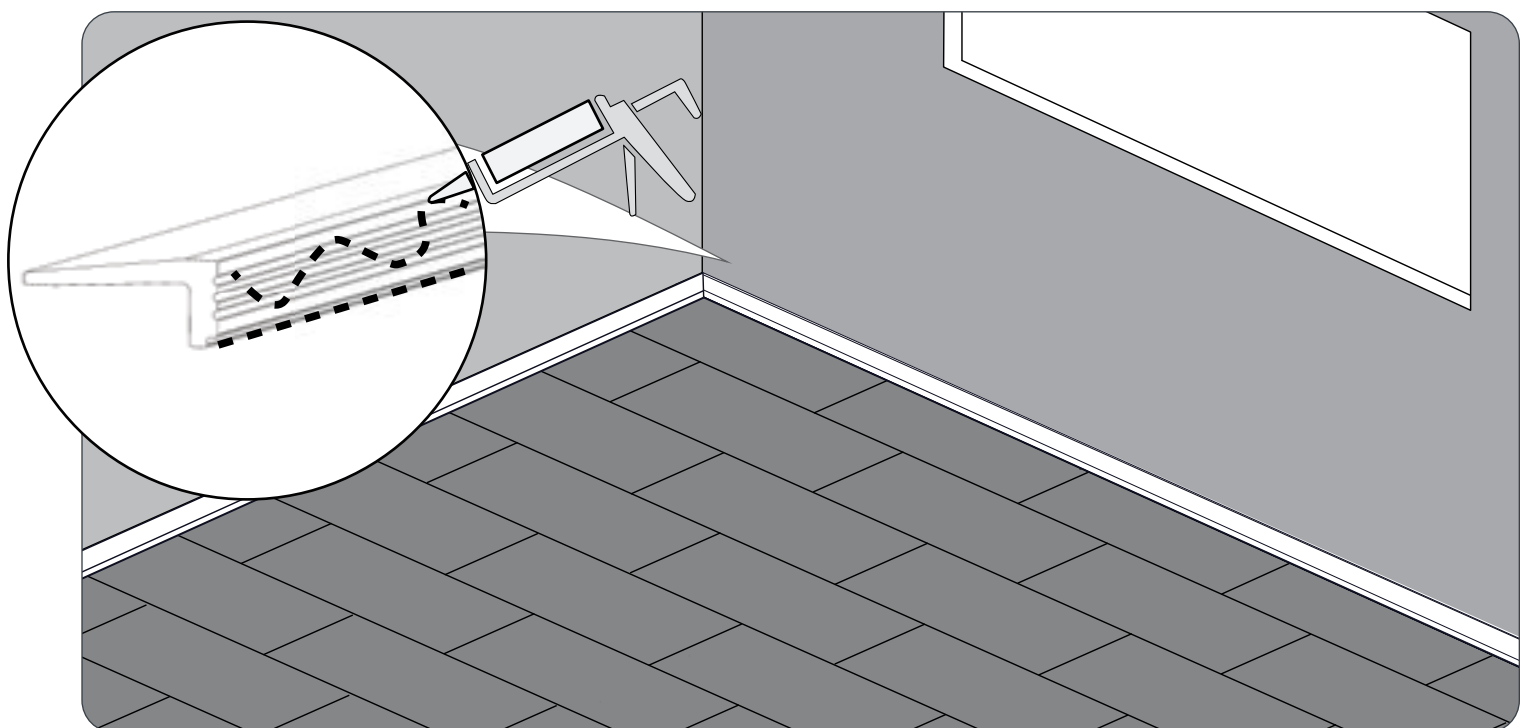


Installing the 75 Ft. EPDM Flooring Edge Trims

- 3** Make sure the Garage End trim strips cover the edges of the tiles properly.

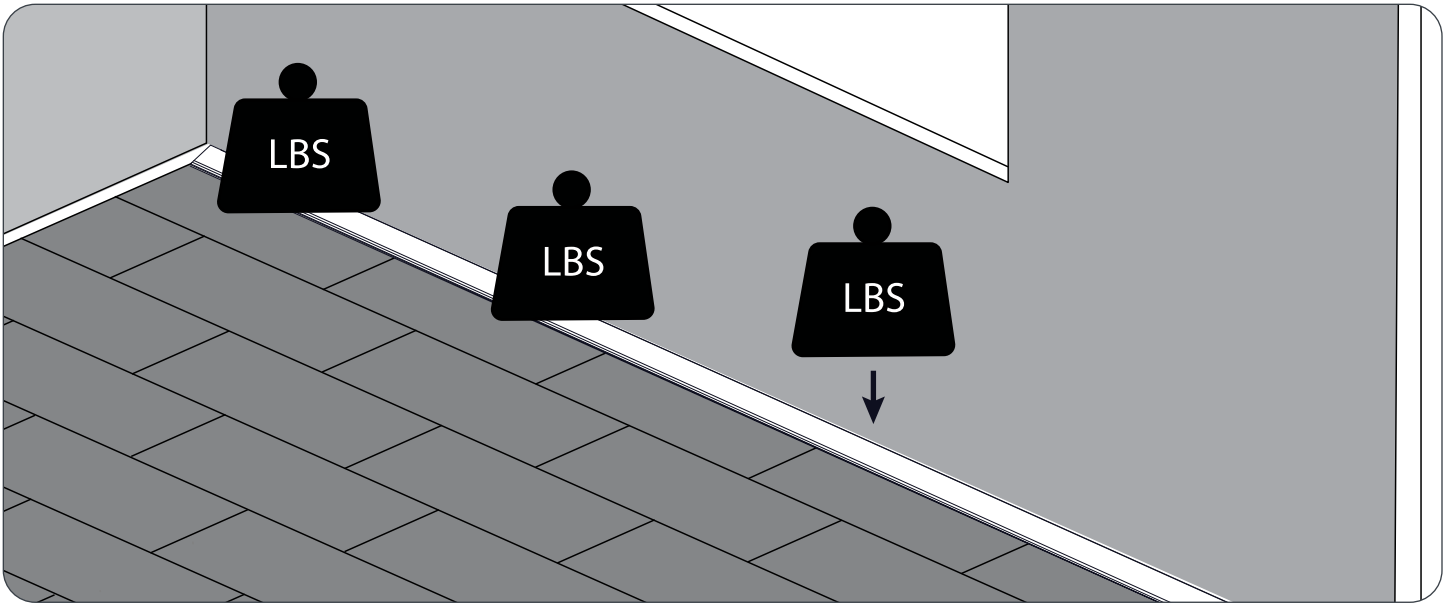


- 4** Once all trims are in place and cut to dimension, remove the first trim and apply the commercial grade sealant at the back, as shown in the detail image below.

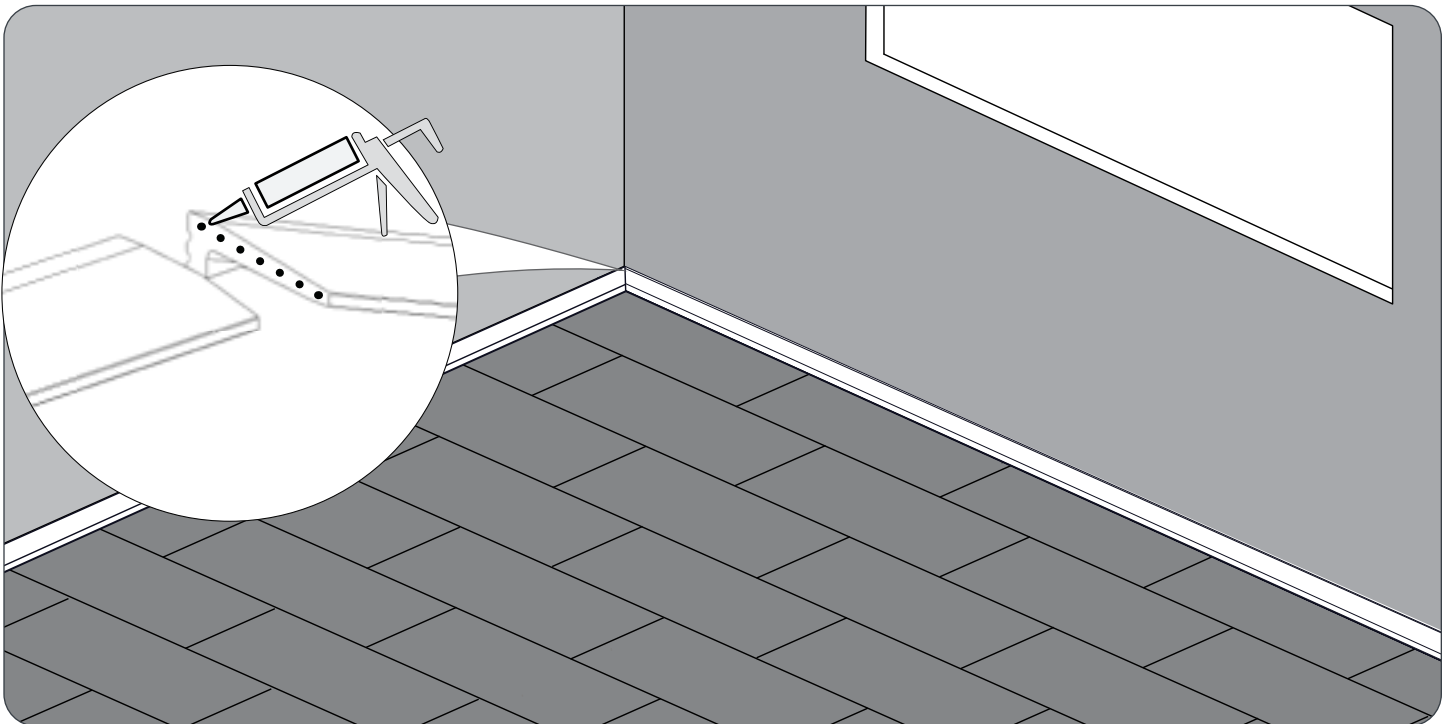


Installing the 75 Ft. EPDM Flooring Edge Trims

- 5** Evenly apply weights to the installed end trim to secure the product in place while sealant cures. Follow step 5 after each strip is installed.
Note: Use a clean damp cloth to remove any excess glue.



- 6** Continue installing all remaining end trim strips to the wall, and remember to miter all required edges in 45 degrees. As you continue to install, remember to evenly add weights to the installed trims.

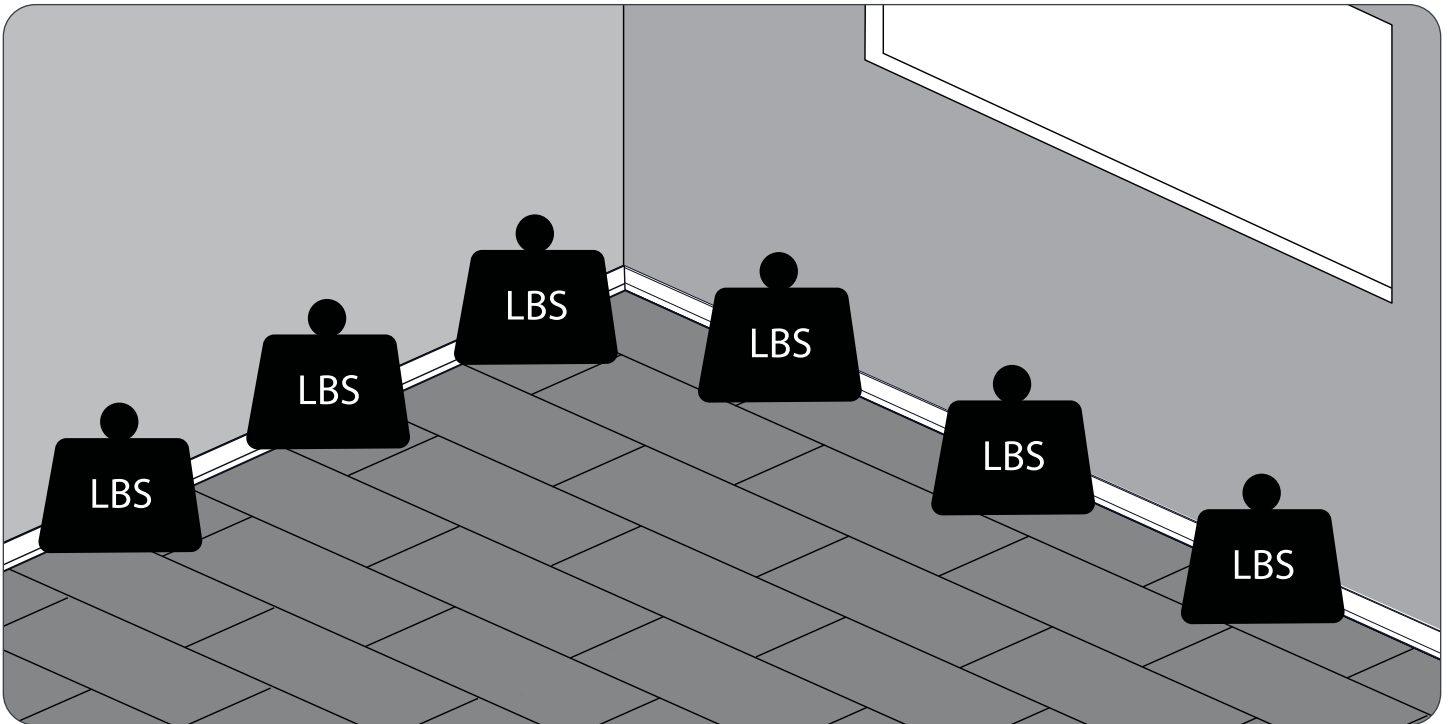


Note: For a better corner install, add some sealant to the mittered edge, so both strips are permanently connected.

Installing the 75 Ft. EPDM Flooring Edge Trims

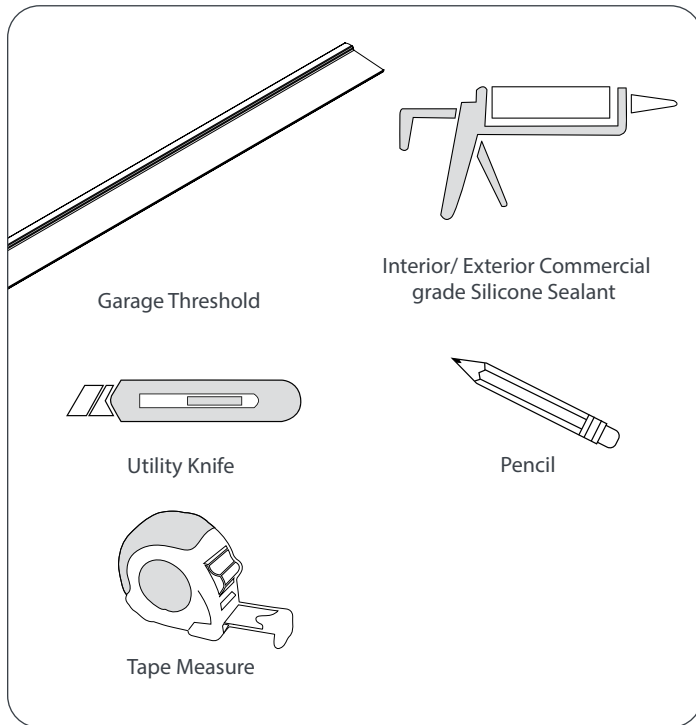
- 7 Once all end trims are installed, ensure weights are evenly placed on the trims. If access to weights are not possible, add similar sized items, evenly spaced on top of the trims.

Weights should be removed only after the sealant is 100% cured. Refer to sealant instructions for cure time.

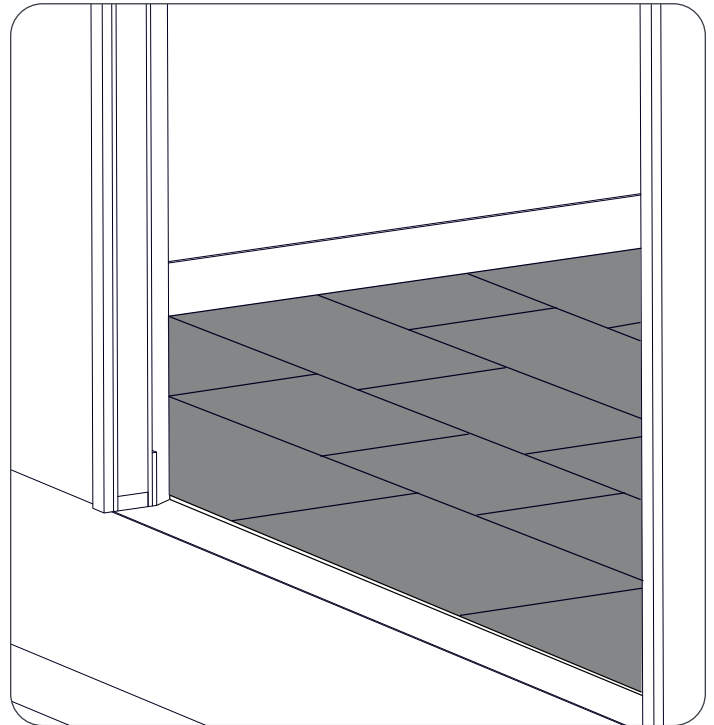



Installing the Garage Door Threshold

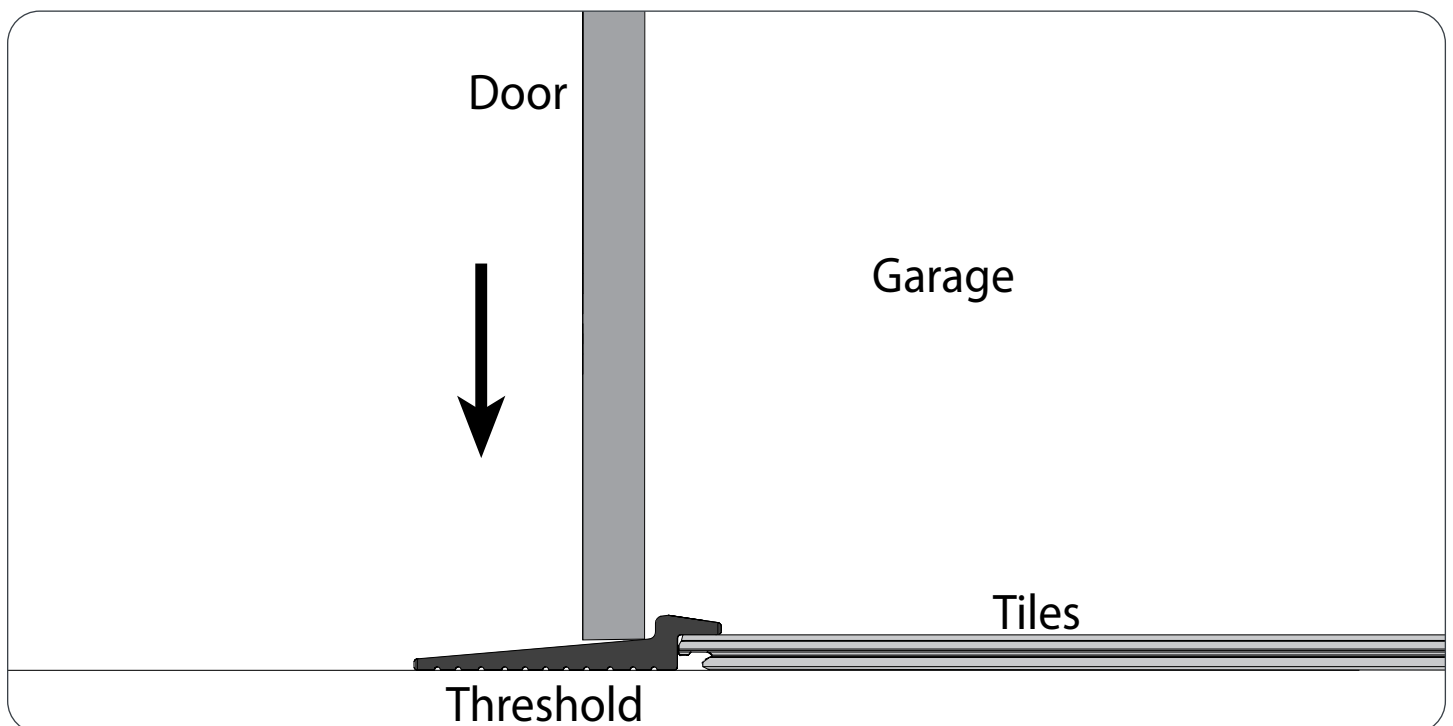
Parts required



Note: If installing the threshold against your floors, make sure your floors have been installed up to your garage door to ensure the threshold gets installed properly.

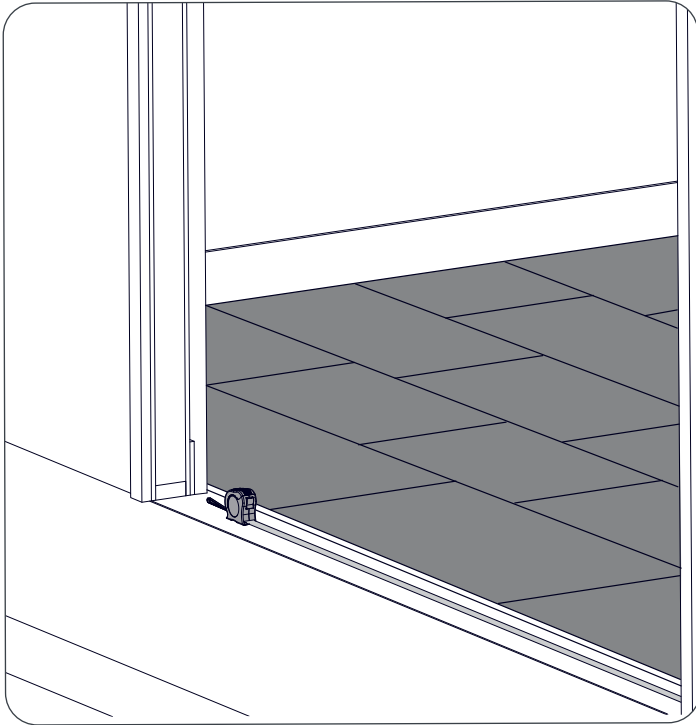


 The garage door threshold has been designed to fit tightly against your NewAge floors. Be sure to clean the area from any dirt or water. This will help to form a tight seal once the threshold is installed.

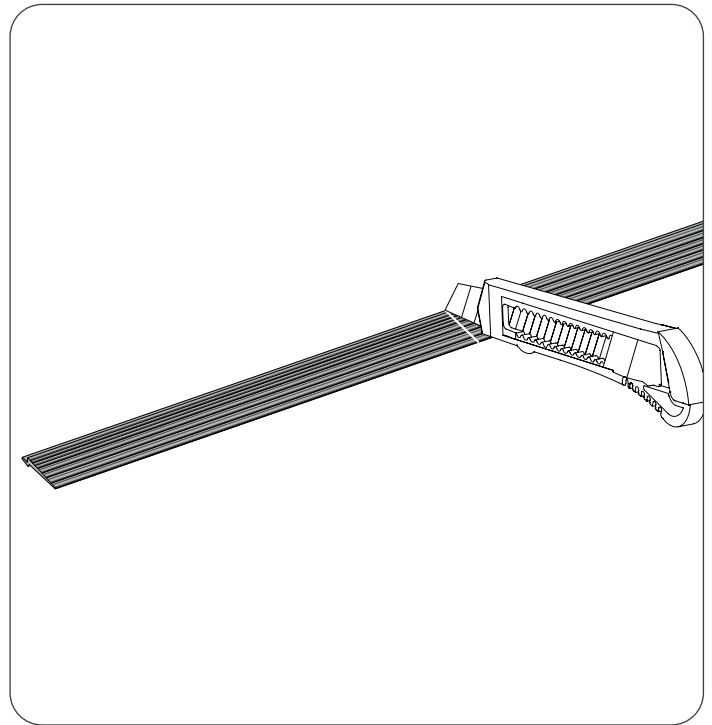


Installing the Garage Door Threshold

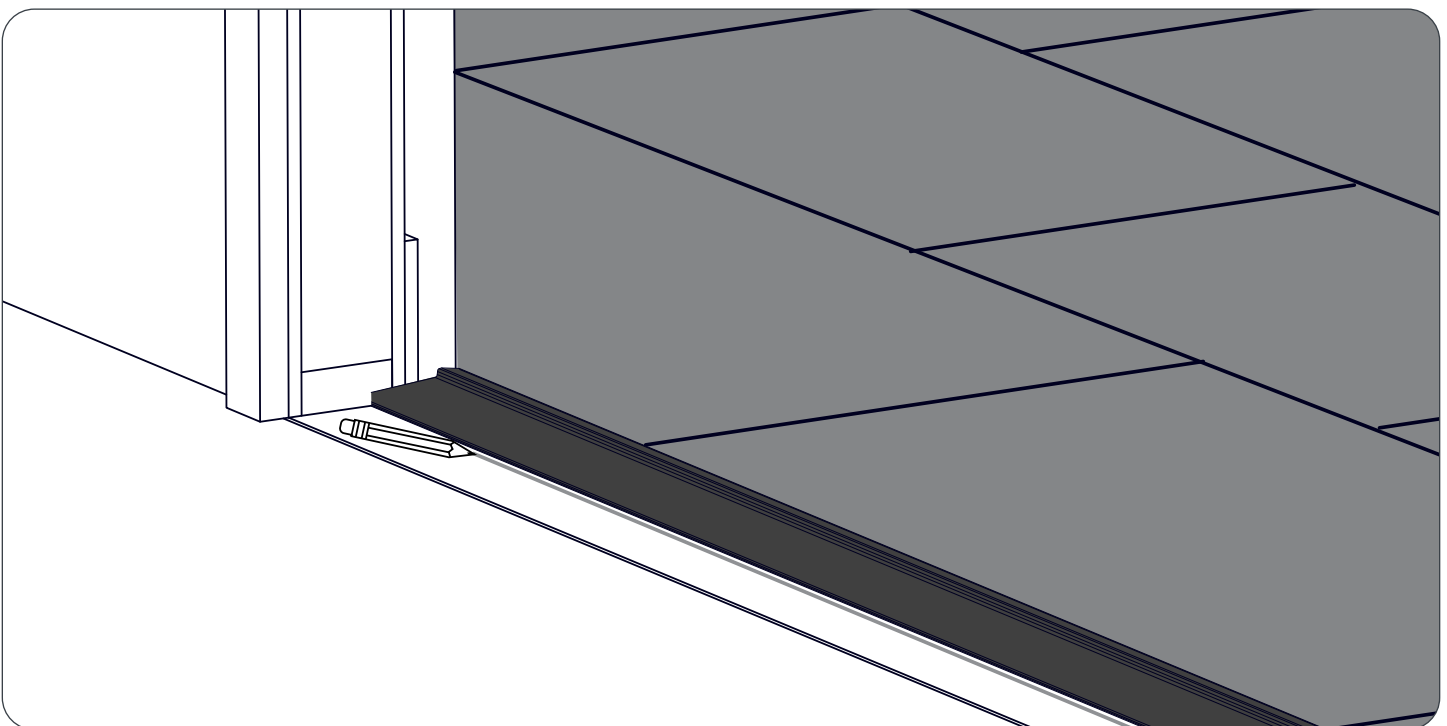
- 1** Determine the required length of garage threshold by measuring the length of garage door entrance.



- 2** Cut the garage threshold to the required length using a utility knife.

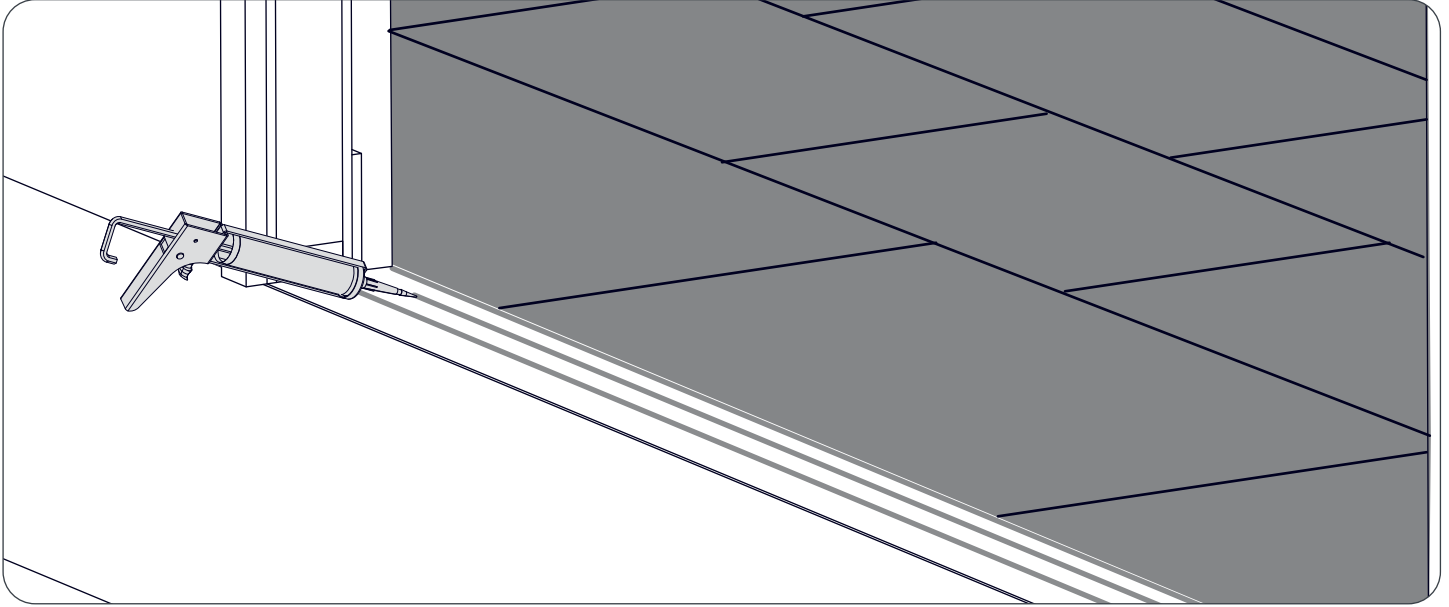


- 3** Position the threshold against the floor and using a pencil or chalk, mark the position of the threshold.

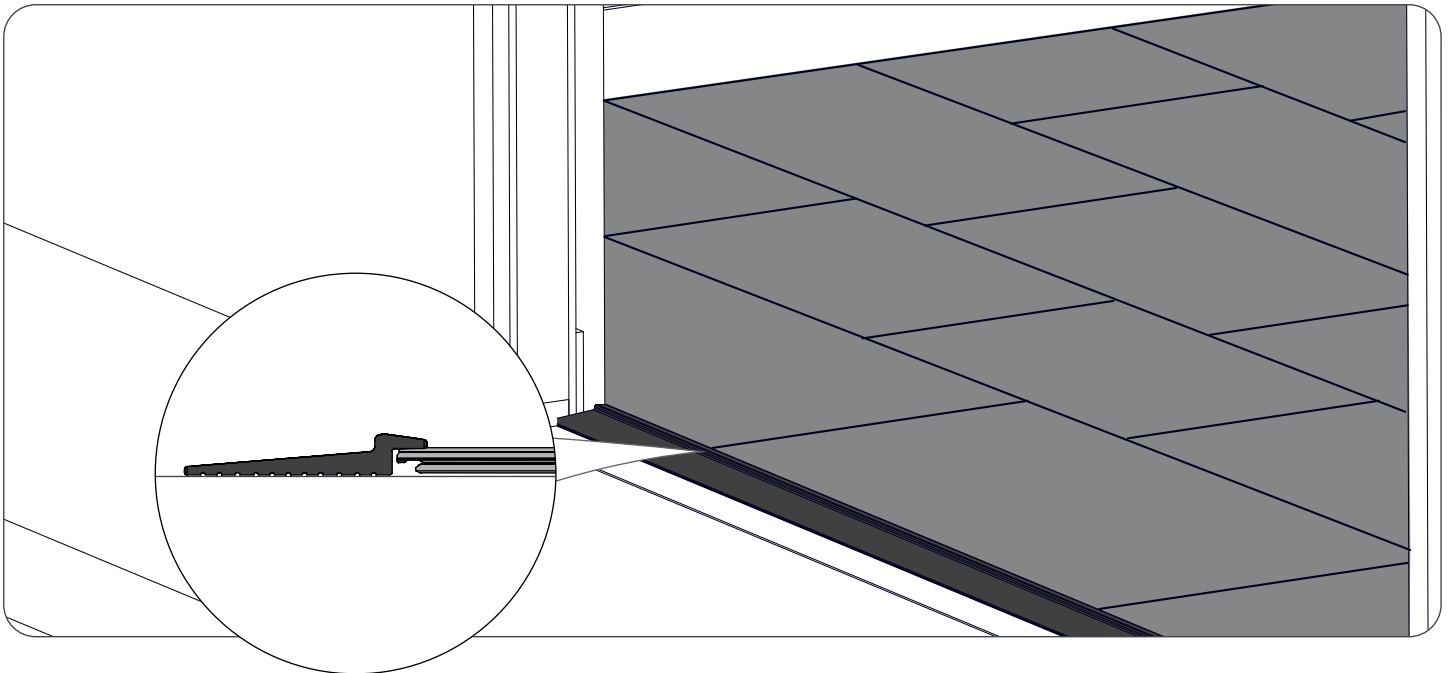


Installing the Garage Door Threshold

- 4** Remove the threshold and evenly apply three rows of adhesive along the full length of the door between the markings.



- 5** Carefully position the threshold. Firmly press the door seal into position. Wipe off the excessive adhesive at the corners with a clean cloth. Close the garage door to keep constant pressure on the threshold for twenty-four hours.



Note: Do not drive over the garage threshold for 24 hours.

Care and Maintenance

To ensure a long lasting and durable product, we recommend that you:

Do:

- Wipe any spills as soon as possible. Do not use abrasive scrubbing tools on any of the NewAge Stone Composite Luxury Products.
- Use a clean mop/ cloth each time you clean NewAge Stone Composite Flooring.
- Frequently sweep, dust, damp mop, or vacuum (without beater bar) your floors to remove any particles.
- Avoid spills of paints, dyes or abrasive chemicals.

Do Not:

- Vacuum with a beater bar
- Use cleaning agents or finishes intended for other types of flooring such as ceramic tiles or hardwood floors. Cleaning Agents should not contain wax, oil or polish.
- Use high abrasive scrubbing tools or "mop and shine" products.

Proactive Care

- NewAge Products Inc. does not suggest to use rubber or latex-backed mats. Chemicals found in rubber or latex mats could discolor your floors. Use a non-staining vinyl-backed mat or a woven rug that is colorfast.
- When moving heavy objects or furniture, use protective sheets and "walk" the object instead of dragging/ pulling it across.
- Keep Pets Nails Trimmed

Warranty

NewAge Products Inc., a limited liability company incorporated and existing under the laws of Ontario, Canada, with its registered office at 111 Creditview Road, 2nd floor, Vaughan, Ontario, Canada, L4L 9T1 (“NewAge Products”).

Products and Coverage

Product	Wear Layer	*Residential	**Commercial	***Garage Spaces
9.5mm Stone Composite Floor Tiles	0.7mm / 27.6 mil	◦ Limited Lifetime	◦ Limited 10 Year Commercial	◦ Limited 5 Years
9.5mm Stone Composite Floor Planks	0.7mm / 27.6 mil	◦ Limited Lifetime	◦ Limited 10 Year Commercial	◦ Limited 5 Years

*** Residential :** Refers to interior residential spaces

****Commercial :** Refers to heavy traffic environments such as offices, public buildings, retail shops, restaurants, showrooms, daycares and common areas in buildings.

*****Garage Spaces:** Refers to residential garage spaces. NewAge Stone Composite Luxury Flooring has been designed to be heavy duty and can withstand heavy and frequent traffic.

◦ **Limitations of this warranty is defined through exclusions on [page 32](#)**

NewAge Products Stone Composite flooring has been designed to withstand both commercial and residential spaces making it the ideal flooring solution for your needs. By following the provided care and maintenance within the valid years in the warranty, NewAge Products Stone composite flooring is:

Water Resistant- NewAge Stone Composite flooring will not swell or lose integrity when exposed to water.

Scratch Resistant- NewAge Stone Composite flooring is resistant to light surface scratches that will not go through the top decorative layer.

Stain Resistant- NewAge Stone Composite Flooring will resist staining from household and consumable items.

Pet Friendly- NewAge Stone Composite Flooring does not emit harmful chemicals and can resist staining caused by accidents.

Not required to Acclimate- NewAge Stone Composite Flooring does not require 24 hour acclimation prior to install.

Warranty (Contd.)

Provisions

This warranty is non-transferable and applies to the original purchaser and original installation site when purchased. Proof of purchase is required therefore please keep your receipt or obtain it from the original purchaser. Under no circumstances will NewAge Products be responsible for any loss of time, inconvenience, expenses, costs or other consequential damages caused by or resulting from a problem about which a claim is made. NewAge Products excludes any liability for lost profits and will not pay any other indirect, special, incidental or consequential damages under this warranty.

Pre-Install

Prior to installation, ensure the installation instructions has been read and the products have been inspected. Any pieces with defects should not be installed and NewAge Products will not be responsible for flooring installed with visual defects.

What Is Covered?

Residential

If installed correctly using the installation instructions provided and the proper maintenance is being followed, NewAge Stone Composite Luxury Flooring warrants that during the warranty coverage the products above:

- Will not wear through¹ the top decorative wear layer. Scratches, cuts, dents or reduction in gloss levels are not considered wear.
- Will not stain² from consumable items such as food, drinks and common household items such as cleaning products.
- Will not curl at the edges
- Will not rip or tear from normal household use
- Will not result with discoloration, mold or mildew growth from the pre-attached underlayment.

Wear Through¹ : is defined as damage to the top decorative layer due to household use.

Stain² : is defined to be a permanent discolouration to the surface of the flooring that is not capable of being cleaned off.

Commercial

If installed correctly using the installation instructions provided and the correct care and maintenance instructions are followed, NewAge Stone Composite Luxury Flooring warrants that during the warranty coverage the products above:

- Will not wear through¹ the top decorative wear layer for the term length of the warranty coverage set above.
- Will not stain² from consumable items such as food, drinks and cleaning products.

Warranty (Contd.)

-Will not curl at the edges.

- Will not result with discoloration, mold or mildew growth from the pre-attached underlayment.

When choosing a floor, consider the space where it will be installed and select a visual that will withstand to the expected level foot traffic. If you have questions about a specific application, please contact a NewAge Products representative prior to purchase.

Wear Through¹ : is defined as damage to the top decorative layer due to household use.

Stain² : is defined to be a permanent discolouration to the surface of the flooring that is not capable of being cleaned off.

Replacement and Repairs

In the event that NewAge Products Inc. replaces any flooring covered under this Warranty, this warranty shall remain in effect with respect to the flooring for a period limited to the remaining eligible duration of the original warranty. During the duration of the warranty, NewAge Products Inc. will replace the defected flooring once with a new flooring material of similar colour and pattern to replace the defective area. There will be no other form of compensation.

For any additional enquiry's or questions regarding the terms of this Warranty, contact NewAge Products Customer Service at 1.877.306.8930. NewAge Products has the right to request images, proof or information that may be required to ascertain the nature of any claims under this Warranty. Failure to provide this information may result in your claim being denied.

What Does Water Resistant Mean?

If exposed to water, NewAge Stone Composite Luxury Flooring will not swell or lose integrity. Water Accidents should be cleaned up immediately and should follow the proper Care and Maintenance breakdown provided. NewAge Products cannot guarantee the installation is water resistant in cases of wrong floor installations and/ or human errors during the installation of the floors.

In cases of large standing water or flooding, NewAge Stone Composite Luxury Flooring will not work as a barrier for the subfloor or any other surrounding structures. In the case of flooding and the subfloors or surrounding structures get damaged, it will not be covered by this warranty. In the case of water or moisture being trapped beneath the floor due to improper sub-floor or improper installation, it will not be covered by this warranty.

What does Scratch Resistant Mean?

NewAge Stone Composite Luxury Flooring is resistant to light surface scratches³ and dents making it highly durable for residential and commercial use. NewAge Stone Composite Luxury flooring will not get physically damaged or discoloration as long as the proper care and maintenance is followed. In the case of scratches caused intentionally or due to careless handling, it will not be covered by this warranty.

Light Surface Scratches³: refers to scratches that will not go through the top protection layer and printed pattern.

Warranty (Contd.)

What does Stain Resistant Mean?

When exposed to accidents such as dirt, spills from household cleaning products, soiling from pets and consumables, NewAge Products flooring will not stain. In case of any accidents, it should be cleaned up immediately and should follow the proper Care and Maintenance breakdown provided. Mishandling of the product and lack of care will not be covered by this warranty.

What does Pet Friendly Mean?

NewAge Stone Composite Flooring does not emit harmful chemicals and can resist staining caused by accidents. In case of any accidents, it should be cleaned up immediately and should follow the proper Care and Maintenance breakdown provided. Mishandling of the product and lack of care will not be covered by this warranty. Scratching caused by pets will not be covered by this warranty.

What Does No Acclimation Mean?

NewAge Stone Composite Luxury Flooring is heavy duty and does not require 24 to 48 hour acclimation prior to install.

Exclusions

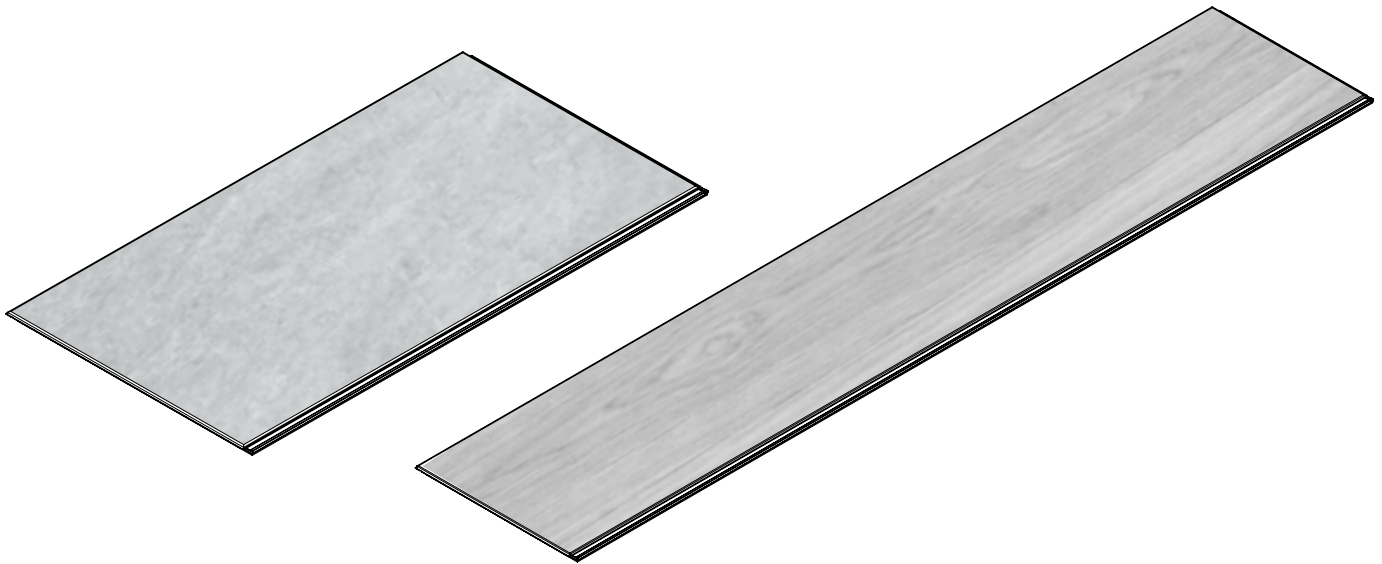
The following are not covered by this warranty:

- Minor shading, colour or texture differences between samples, photographs and delivered products
- Damage caused by natural causes or acts of God such as fire and flooding.
- Damage caused by intentional abuse, lack of maintenance, burns, fire, spills of harsh chemicals, construction or installation.
- Damage caused by vacuum cleaner beater bar, improper rolling loads, improper loads on caster wheels, chairs or other furniture without proper flooring protection. When moving furniture or appliances, make sure your floors are protected from causing scuffing or tears.
- Damages caused during installation – including installing defected floors and not following the installation instructions.
- Damage caused by moisture to surrounding structure such as walls, subfloors, fixtures, underlayment, moldings, trims, subfloor heating elements or anything that does not offer structural integrity or stability to the NewAge Stone Composite Floors.
- Changes in colour or gloss due to the use of rubber or latex-backed mats
- If Flooring sold “as is” without warranty
- Flooring that is installed outdoors. NewAge Stone Composite Luxury Flooring has not been designed for outside installations.
- Improper installation of Products and inappropriate end-user activities including failing to properly follow care and maintenance or Installation instructions provided.

Warranty (Contd.)

- Loss of finish gloss over time is consistent with normal wear & tear and is not a product flaw.
- Light Surface scratches³ over time is normal wear & tear and is not a product flaw.
- Scratches or dents caused by accidents
- Obvious defects once they are installed. It is the customer's responsibility to inspect all products before installation.
- NewAge Stone Composite Flooring has been designed to withstand high traffic areas including garages. However discoloration may still occur.

Light Surface Scratches³: refers to scratches that will not go through the top protection layer and printed pattern.



Revêtement de sol garage NewAge en composite de pierre

Guide d'installation



ATTENTION: Votre revêtement de sol est-il endommagé?

Vous avez besoin d'aide ou de pièces de rechange? Pour un service plus rapide, contactez NewAge Products au 1 877 306-8930; ou écrivez à support@newageproducts.com. Ne renvoyez rien au détaillant.

Index

[Renseignements généraux - 3](#)

[Caractéristiques du produit - 3](#)

[Accessoires offerts pour garage offerts- 4](#)

[Outils requis - 5](#)

[Précautions - 6](#)

[Acclimatation - 6](#)

[Joint de dilatation - 6](#)

[Lames recommandées - 6](#)

[Méthodes de découpe recommandées - 7](#)

[Préparation générale du support de revêtement de sol - 8](#)

[Supports de revêtement de sol en béton - 8](#)

[Chauffage radiant - 9](#)

[Préparation des plinthes et quarts-de-rond - 10](#)

[Conseils d'installation - 11](#)

[Démarrage - 12](#)

[Disposition d'installation du revêtement de sol - 12](#)

[Options d'installation - 13](#)

[Installation du revêtement de sol \(carreaux/planches\) - 14](#)

[Installation des bandes de finition argentées - 18](#)

[Installation des moulures d'extrémité de revêtement de sol EPDM de 75 pi- 21](#)

[Installation du seuil de la porte de garage- 25](#)

[Soins et entretien - 28](#)

[Garantie - 29](#)

Renseignements généraux

- Les planchers NewAge en vinyle de luxe (composite de pierre) sont spécialement conçus pour résister aux conditions des garages et des espaces commerciaux achalandés.
- Ces planchers sont lourds et il faut les soulever avec soin. Veuillez employer les techniques de levage appropriées lors de la manipulation des produits.
- Pour des résultats optimaux, combinez des planches/carreaux provenant de différentes boîtes afin d'obtenir une variation agréable.
- Le revêtement de sol NewAge a été conçu selon un système facile à poser et à verrouiller.

Caractéristiques du produit

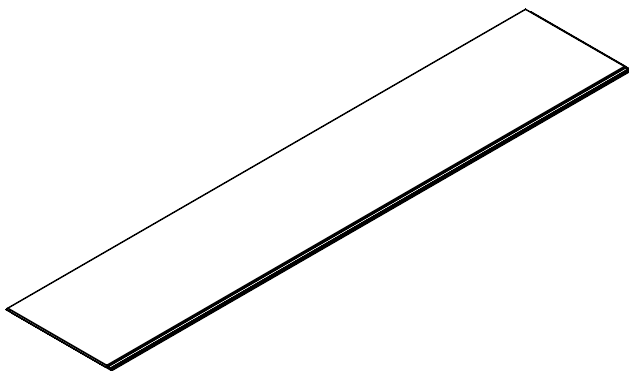
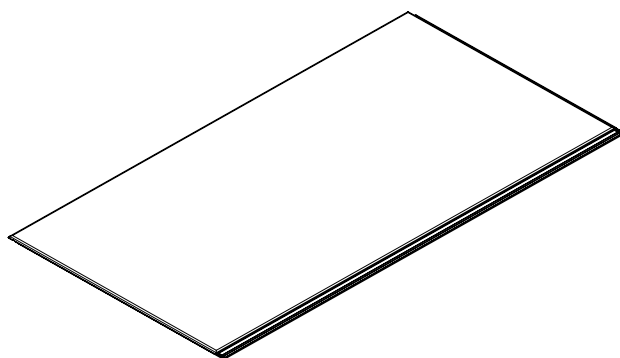


Planche en vinyle de luxe, composite de pierre

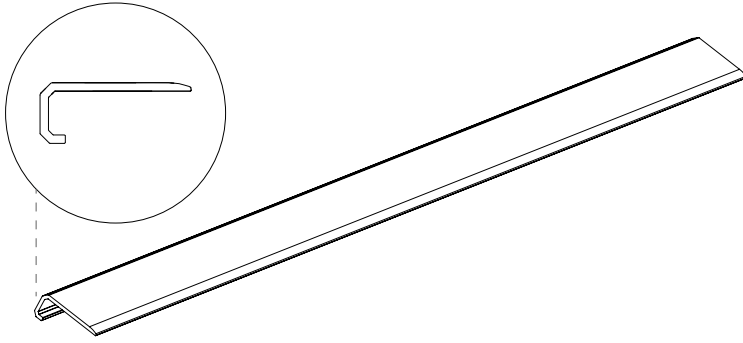
- Une planche :
Lon. 46 po x Lar. 8,85 po x 9,5 po d'épaisseur
- 5 planches par boîte
- 14,15 pi² par boîte



Carreau en vinyle de luxe, composite de pierre

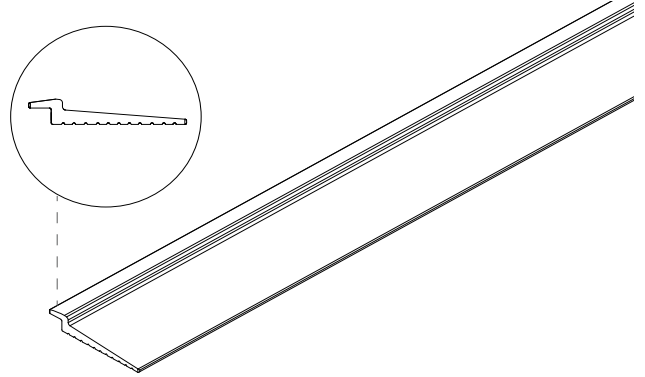
- Un carreau :
Lon. 46 po x Lar. 8,85 po x 9,5 po d'épaisseur
- 7 carreaux par boîte
- 13,44 pi² par boîte

Accessoires pour garage offerts



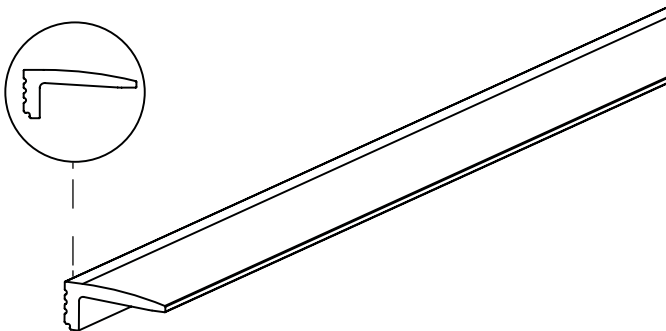
Bande de finition argentée de 46 po

- Les bandes de finition argentées ont été conçues pour offrir un choix supplémentaire de finition de bordure décorative au-delà de la finition de bordure traditionnelle, comme le quart-de-rond.
- Dimension du produit :
Lon. 46 po x Lar. 0,5 po x Hau. 1,0 po
- 10 bandes de finition par ensemble



Seuil de porte de garage de 20 pi

- Le seuil de porte de garage NewAge fournit un joint étanche qui protège vos planchers et votre espace de garage de la saleté extérieure.
- Dimension du produit :
Lon. 240 po X Lar. 3,5 po X Hau. 0,6 po
- 1 seuil de porte de garage par ensemble.



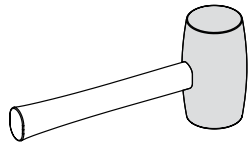
75 pi Moulure de bordure de revêtement de sol EPDM

SKU: 12096

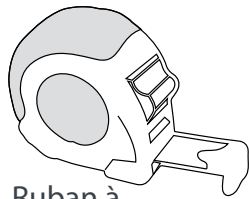
- Les bandes de moulure de bordure de revêtement de plancher ont été conçues pour fournir une finition de bordure décorative plutôt que d'utiliser une finition de bordure traditionnelle, comme le quart-de-rond.
- Finition : Caoutchouc EPDM noir
- Dimensions du produit :
L 900 po x P 1,378 po x H 0,591 po
- 1 Moulure d'extrémité de garage par trousse

Outils requis

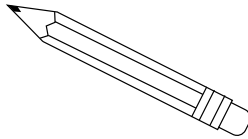
Outils recommandés



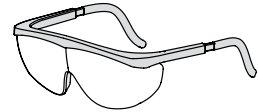
Maillet en caoutchouc



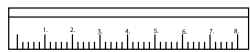
Ruban à mesurer



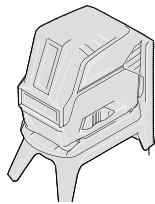
Crayon



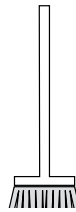
Lunettes de sécurité



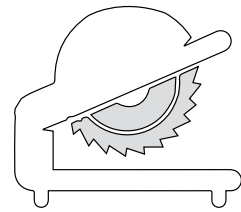
Règle



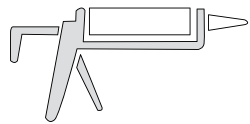
Niveau à laser



Aspirateur/balai



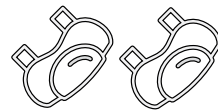
Scie à onglets combinés



Pâte à base de silicone de qualité commerciale pour l'intérieur/extérieur



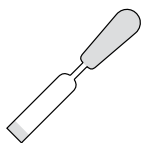
Écran facial



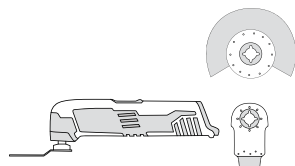
Genouillères



Marteau

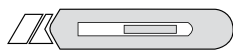


Burin

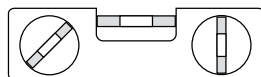


Burin

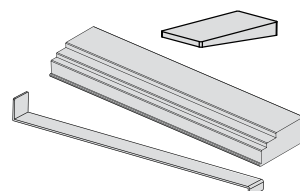
Autres outils possibles



Couteau à lame rétractable



Niveau



Entretoises, bloc de martelage et tire-lame métallique

Précautions

- N'entreposez pas les boîtes de carreaux et de planches sur leur côté. Entreposez toutes les boîtes à plat sur le plancher sur le plan horizontal.
- N'utilisez pas d'outils lourds conçus pour d'autres matériaux de revêtement de sol ou systèmes d'installation.
- Les carreaux et planches en vinyle de luxe NewAge sont des produits finis. N'utilisez aucun fini de revêtement de sol supplémentaire (cire/polli).
- Les carreaux et planches en vinyle de luxe NewAge sont conçus pour la méthode d'installation flottante uniquement. Ne collez pas et ne fixez pas les carreaux et les planches directement sur le plancher.
- Avant de commencer l'installation, assurez-vous que toutes les boîtes contiennent le produit adéquat.
- Il est recommandé d'installer vos planchers sous une lumière du jour vive afin de détecter les possibles imperfections, les défauts ou les dommages. NewAge ne pourra être tenu responsable des coûts liés à des problèmes d'installation ou à des défauts visuels après l'installation.
- **Avertissement :** N'utilisez pas de pneus à clous sur un revêtement de sol NewAge en composite de pierre.

Acclimatation

- Même si aucune acclimatation n'est nécessaire, le revêtement de sol peut être acclimaté pendant 24 à 48 heures dans l'environnement souhaité pour des résultats optimaux avant d'ouvrir les boîtes.
- Il est recommandé d'installer les planchers lorsque la température de la pièce se situe au moins entre 5 °C (41 °F) et 24 °C (75,2 °F).

Joint de dilatation

- **Suivez soigneusement les instructions de la page 13 « Options d'installation ».**

Lames recommandées

Scie à onglets combinés

- **Revêtement de sol NewAge :** Lame à plaquettes à 100 dents optimisée pour le sciage
- **Seuil de porte de garage NewAge:** Lame à plaquettes à 100 dents optimisée pour le sciage
- **Bande de finition argentée de 46 po NewAge:** Lame de scie en aluminium à plaquettes à 100 dents

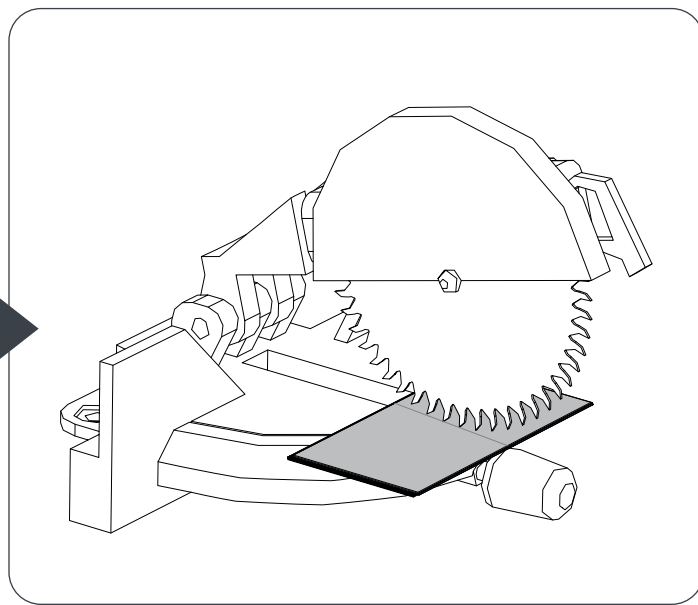
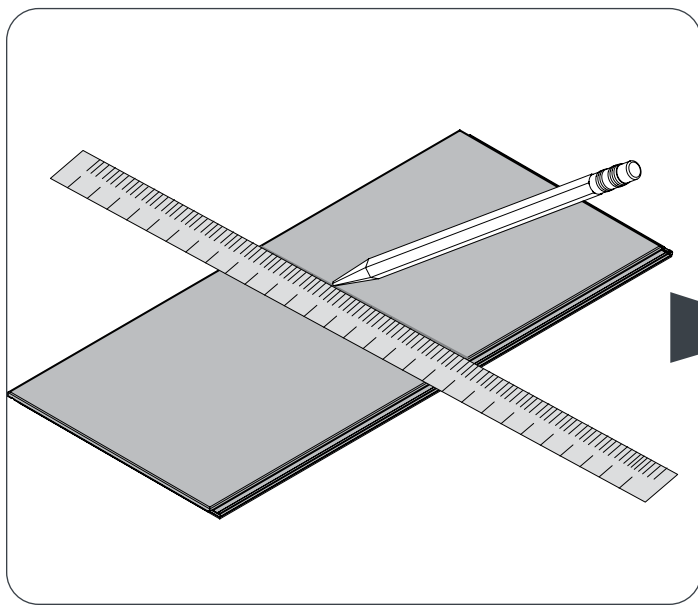
Outil multifonction

- **Revêtement de sol NewAge :** Lames de coupage en bout en acier à forte teneur en carbone
- **Seuil de porte de garage NewAge/ 75 pi EPDM Moulure de bordure de revêtement :** Lames de coupage en bout en acier à forte teneur en carbone
- **Bande de finition argentée de 46 po NewAge :** Lame de scie bimétallique semi-circulaire

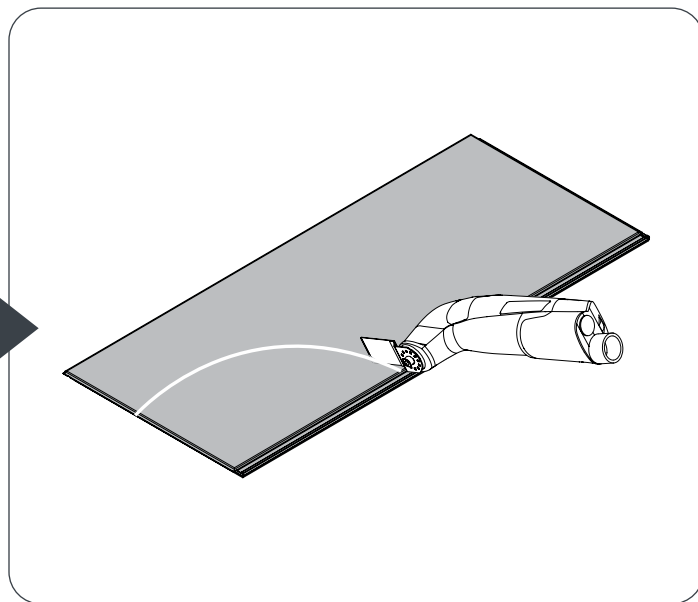
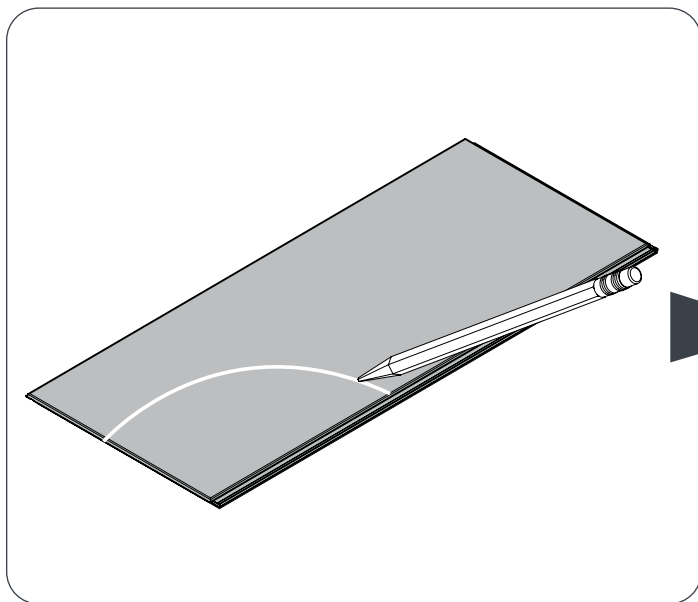
Méthodes de découpe recommandées

Avertissement : Assurez-vous de porter un écran facial et des lunettes de sécurité pour vous protéger de la poussière lorsque vous découpez des carreaux de planchers, des planches et des accessoires.

- 1 Pour de grandes coupes simples et droites, utilisez une scie à onglets combinés.



- 2 Pour les coupes plus petites et compliquées, utilisez un outil multifonction.

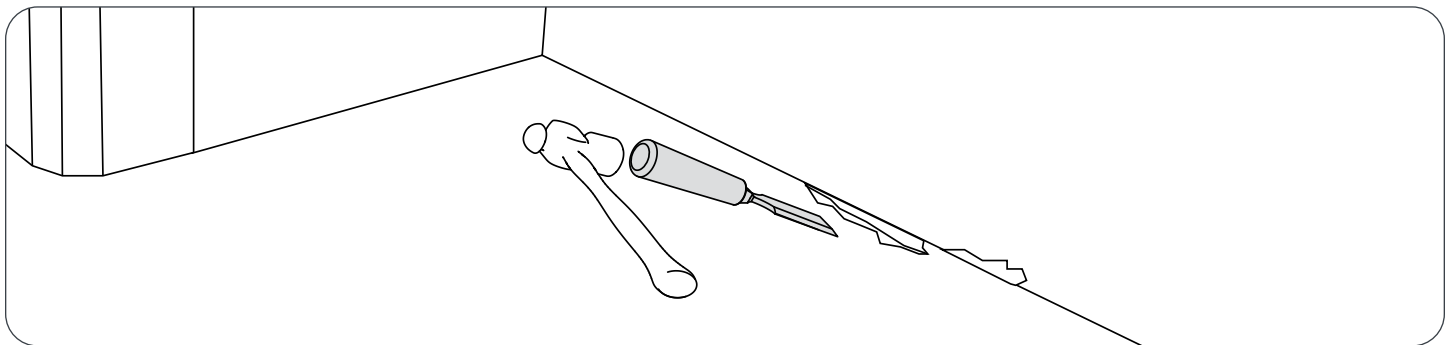


- **Conseil :** Lorsque vous utilisez un outil multifonction sur vos carreaux, planches et accessoires NewAge, il est recommandé d'utiliser une vitesse de découpe plus lente jusqu'à ce que vous soyez à l'aise pour couper plus rapidement. Ceci vous permettra d'exercer un plus grand contrôle et d'éviter les erreurs.

Préparation générale du support de revêtement de sol

Préparation de votre espace - Généralités

- La préparation adéquate de vos supports de revêtement de sol joue un rôle important dans la réalisation d'une installation satisfaisante. Le revêtement de sol en composite de pierre NewAge utilise une méthode d'installation de type « plancher flottant » qui peut s'accommoder des légères imperfections du plancher. S'il y a des saillies ou des jeux importants dans vos supports, le revêtement de sol en composite de pierre NewAge ne sera pas en mesure de les dissimuler.
- Il n'est pas indiqué d'installer un revêtement de sol NewAge sur un tapis. Avant l'installation, tous les tapis et traces de tapis doivent être retirés.
- Utilisez un aspirateur pour enlever toute la poussière et les débris avant l'installation des planchers.
- Assurez-vous que la structure de la surface est adéquate, plane, propre et sèche avant de procéder à l'installation du revêtement de sol NewAge. Si vos planchers sont mouillés, assurez-vous d'attendre qu'il aient séché entièrement avant de passer à l'installation.
- Afin de permettre à la chaleur de circuler, laissez un jeu de 0,5 po entre la surface du plancher et la base d'une plinthe électrique.
- La planéité du support de revêtement de sol ne doit pas dépasser 3/16 po par 10 pi (4,7 mm par rayon de 3 m). Les supports de revêtement de sol doivent être mis au niveau avant de commencer l'installation des carreaux et planches en composite de pierre NewAge.
- Avant de commencer l'installation du revêtement de sol, réglez toutes les surfaces inégales du plancher.



Supports de revêtement de sol en béton

- Assurez-vous que toutes les surfaces sont sèches, propres et exemptes de poussière, de cire, de solvant, de peinture, de graisse, d'huile et de résidus de colle.
- Poncez ou meulez les surfaces protubérantes.
- Les jeux et trous doivent être remplis avec du béton et finis avec une raclette afin d'égaliser le plancher.
- Il est important de tester le niveau d'humidité avant de commencer l'installation. À l'aide d'un humidimètre pour le béton, le taux d'émission de vapeur d'humidité ne doit pas dépasser 5 lb par 1000 pi² en 24 heures. S'il faut réaliser un essai à la sonde in situ conformément à ASTM F2170, le résultat ne doit pas dépasser 85 %. Ces essais ne pourront prédire la condition de vos planchers à long terme et indiqueront seulement la condition de vos planchers au moment de la réalisation de l'essai.

Remarque: Si vous avez réalisé un ouvrage en béton dans l'espace souhaité, les supports de revêtement de sol doivent être correctement durcis et sécher pendant au moins 60 jours avant

Préparation générale du support de revêtement de sol

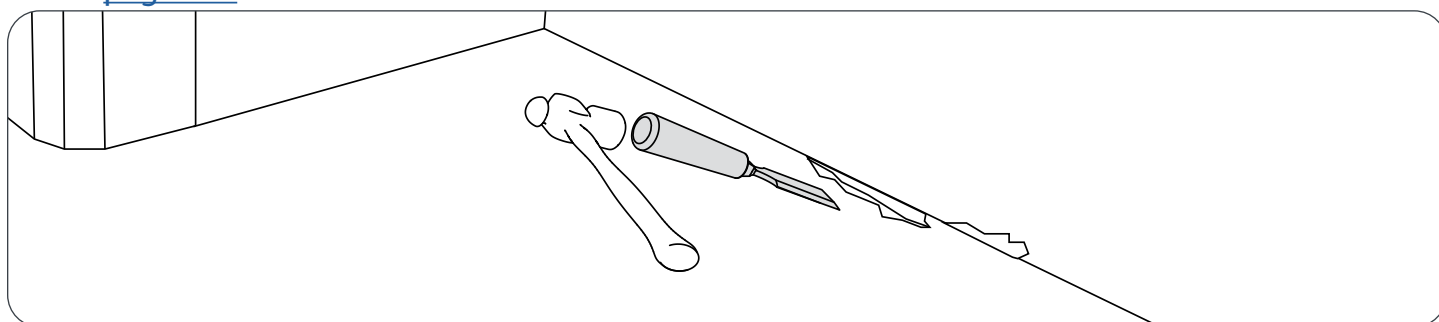
Chauffage radiant

- Le revêtement de sol en composite de pierre NewAge peut être installé sur des systèmes de chauffage radiant, pourvu que l'élément chauffant ne se trouve pas directement en contact avec le revêtement de sol. Laissez un jeu d'au moins 1/2 po entre les planchers et les systèmes de chauffage radiant.
- Si le chauffage radiant a été installé récemment, laissez le système en marche et opérationnel pendant au moins deux semaines avant l'installation. Ceci réduira les niveaux d'humidité dans le béton.
- Éteignez le système de chauffage pendant 24 heures avant et après l'installation d'un revêtement de plancher en composite de pierre NewAge.
- Il est recommandé que la température de la pièce se situe entre 5 °C (41 °F) et 24 °C (75,2 °F) avant l'installation. Il est possible que vous deviez utiliser d'autres méthodes de chauffage avant l'installation.

Préparation des plinthes et quarts-de-rond

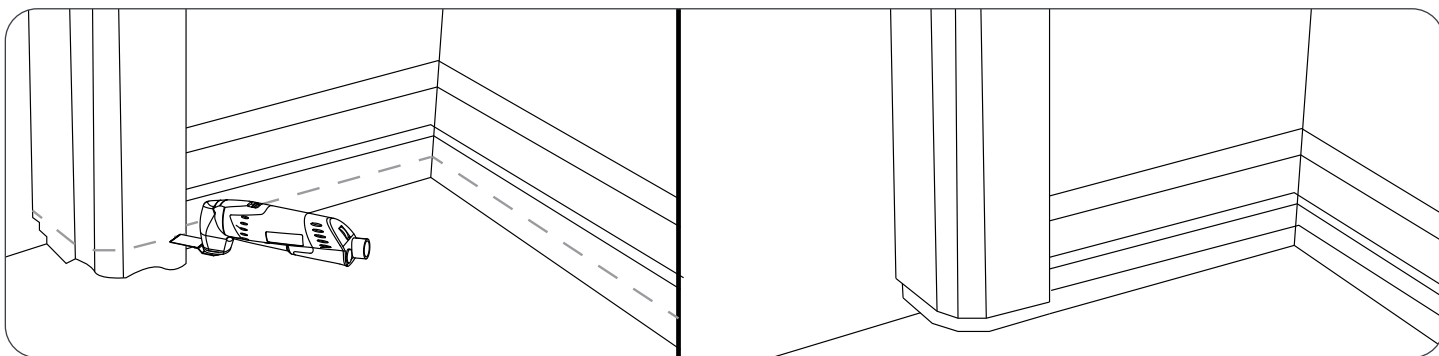
Option 1 : Installation du revêtement de sol intérieur avant les plinthes et les quarts-de-rond.

- S'il est nécessaire de remplacer certaines plinthes préinstallées, retirez les plinthes et les quarts-de-rond usés.
- S'il faut installer de nouvelles plinthes et de nouveaux quarts-de-rond, procédez-y une fois que les planchers ont été terminés.
- Avant de commencer l'installation, réglez toutes les surfaces inégales du plancher et du mur.
- Assurez-vous que la préparation générale de l'espace a été réalisée avant de commencer l'installation. Référence [page 8](#).
- Assurez-vous que les exigences relatives au support de revêtement de sol en béton, au chauffage radiant ou au support de revêtement de sol en bois ont été respectées. Référence [page 8-9](#).



Option 2 : Installation du revêtement de sol intérieur avec des plinthes et les quarts-de-rond préinstallés.

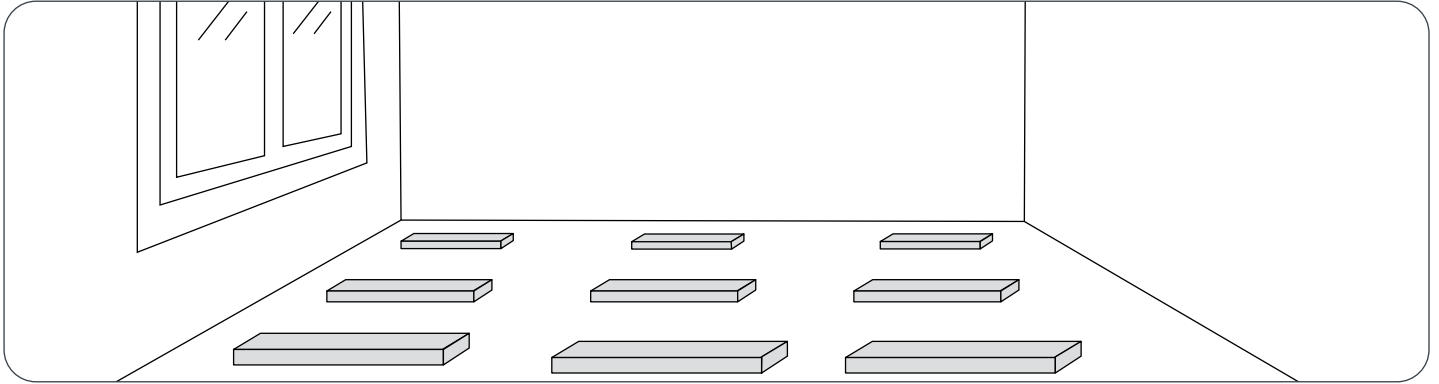
- Le revêtement de sol en composite de pierre NewAge ne peut être installé avec des quarts-de-rond préinstallés. Tous les quarts-de-rond doivent être enlevés avant de commencer l'installation.
- Une fois que tous les quarts-de-rond ont été retirés, coupez environ 11 mm de la base de vos plinthes pour avoir suffisamment d'espace pour les planches et carreaux de 9,5 mm.



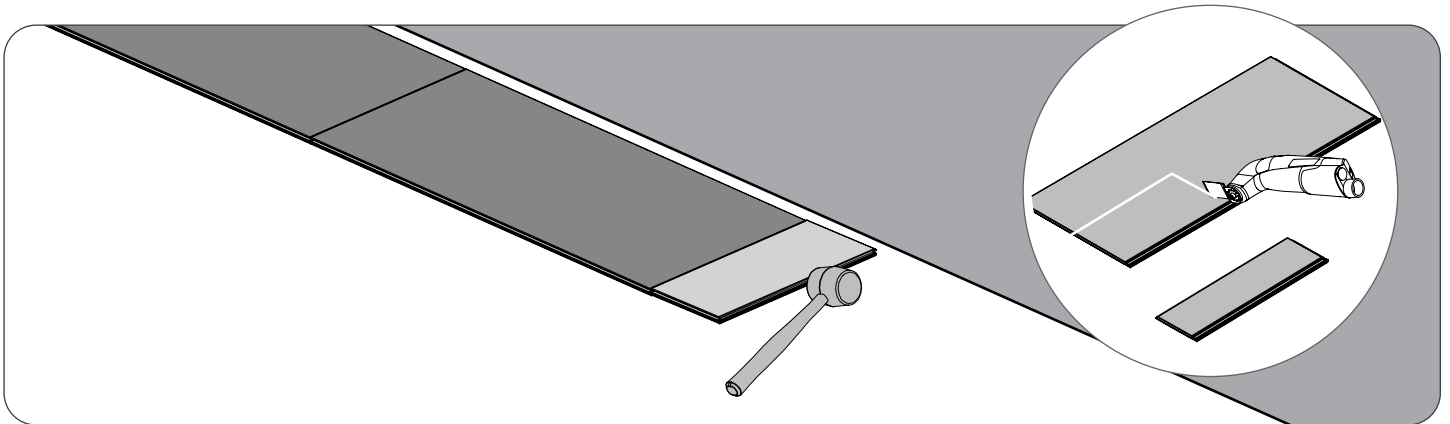
- **Remarque :** Si vos planchers sont plus épais que les nouveaux planchers en vinyle de luxe, vous pouvez acheter un nouvel encadrement de porte ou socle.
- Les quarts-de-rond devront être installés une fois le revêtement de sol terminé.
- Assurez-vous que la préparation générale de l'espace a été réalisée avant de commencer l'installation. Référence [page 8](#).
- Assurez-vous que les exigences relatives au support de revêtement de sol en béton, au chauffage radiant ou au support de revêtement de sol en bois ont été respectées. Référence [page 8-9](#).

Conseils d'installation

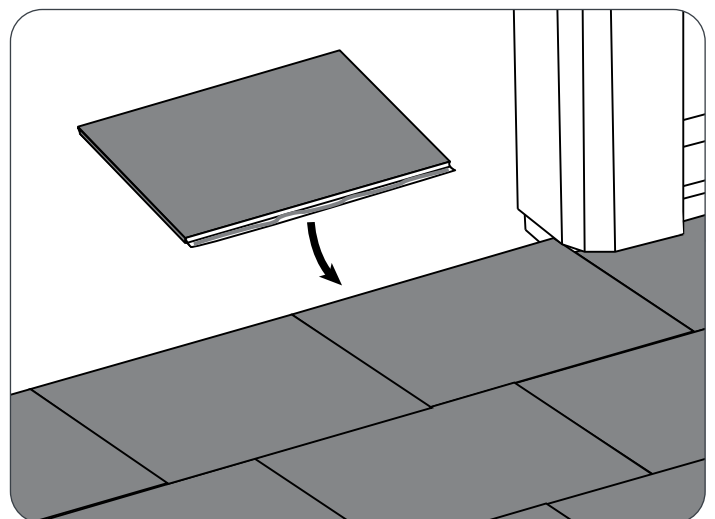
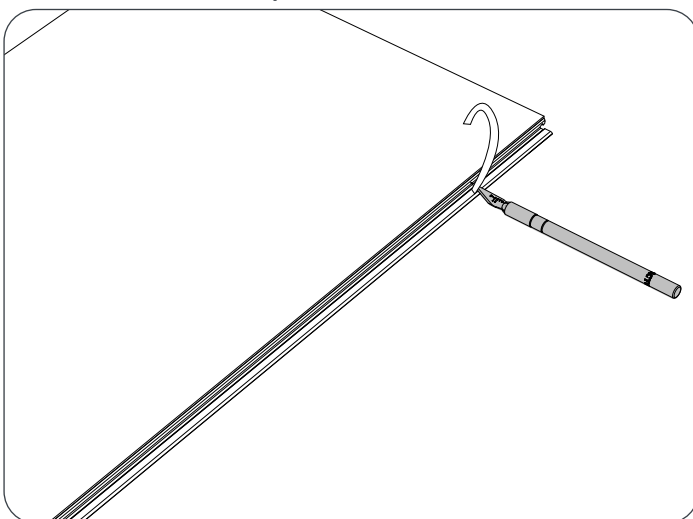
CONSEIL - 1 : Pour faciliter et accélérer l'installation, espacez uniformément vos boîtes de planches ou de carreaux sur vos planchers. Ceci vous permettra de mieux planifier votre installation.



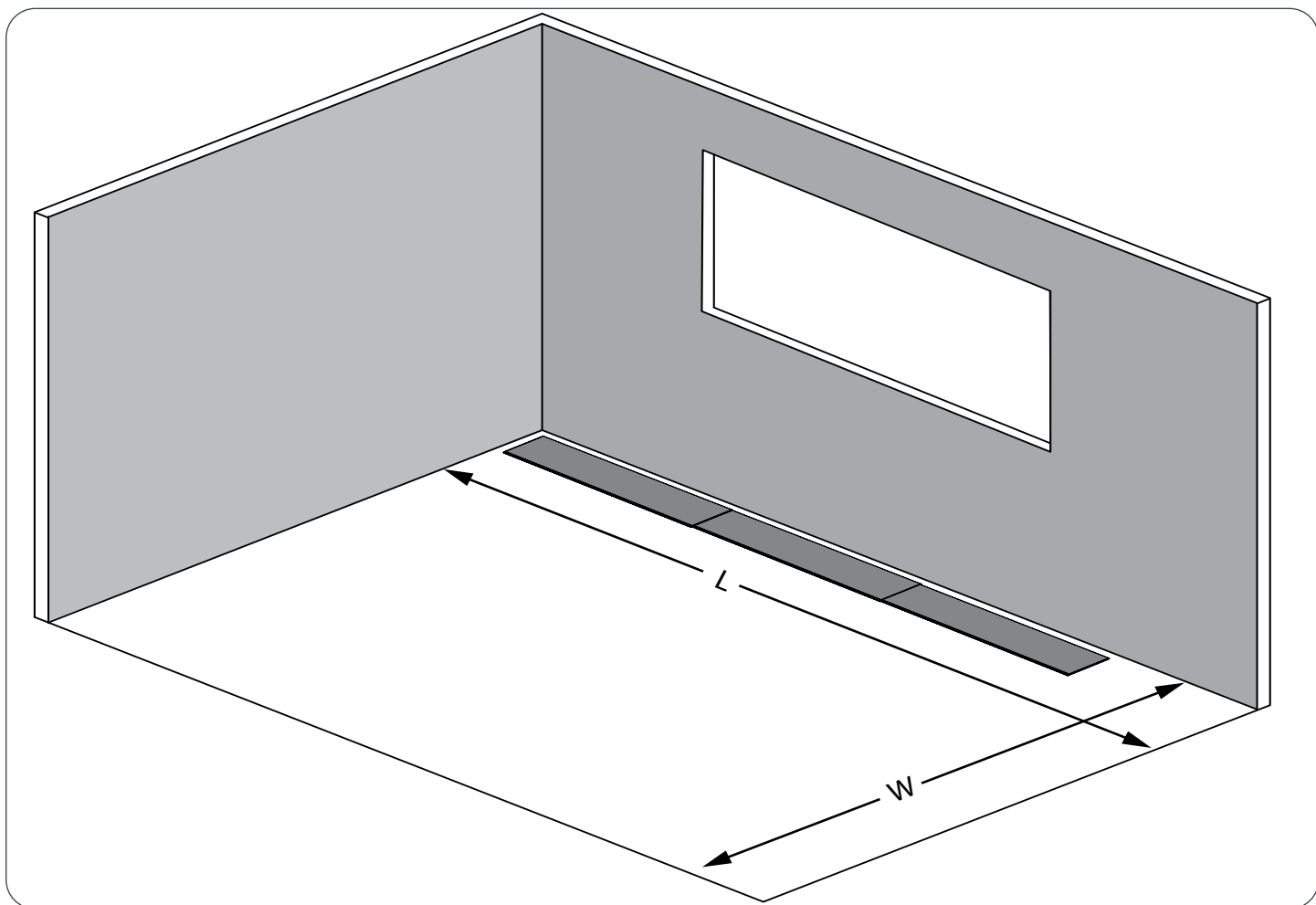
CONSEIL - 2 : Coupez un morceau de carreau/planche et utilisez-le comme bloc de martelage.



CONSEIL - 3 : Lors de l'installation d'un revêtement de sol autour de garnitures de porte et s'il est difficile d'utiliser les profilés emboîtables, retirez la section supérieure du profilé emboîtable pour vous permettre de glisser la planche ou le carreau sous le plancher installer. Appliquez le silicone recommandé à la [page 5](#) avec le profilé emboîtable et glissez ce dernier sous le revêtement de sol installé. Assurez-vous d'essuyer tout excès de colle et que cette dernière est transparente une fois séchée.



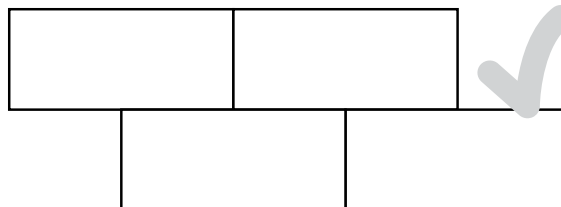
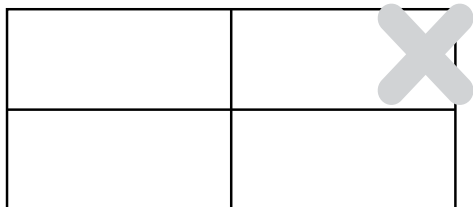
Pour commencer



- Pour déterminer le nombre de rangées de carreaux/planches nécessaire, mesurez la largeur de la pièce et la largeur des planches ou des carreaux.
- Divisez la largeur de la pièce par la largeur des planches/carreaux pour obtenir le nombre de rangées requis.
- Si la dernière rangée mesure moins que la largeur d'une planche ou d'un carreau complet, coupez la première rangée en conséquence de façon à ce que la première rangée et les dernières rangées aient des largeurs égales.
- Si vous installez un seuil de porte de garage, il est préférable de commencer à installer le sol à partir de la porte de garage et de reculer dans la pièce.

Disposition d'installation du revêtement de sol

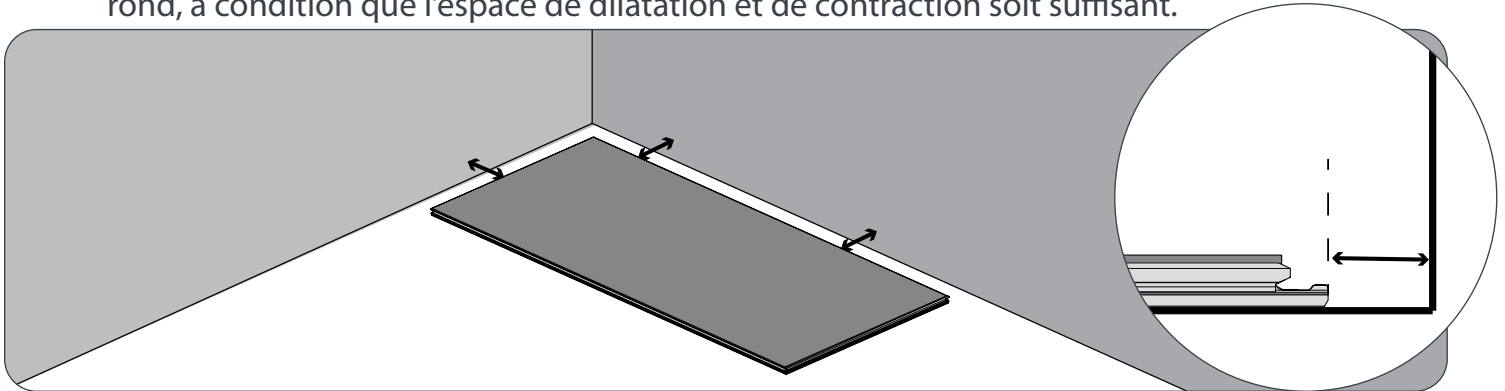
- Il est recommandé de disposer le côté long des planches ou des carreaux en parallèle au mur le plus long ou à la fenêtre principale de la pièce.
- Lors de l'installation des planchers, disposez les carreaux/planches pour assurer une installation sécuritaire.



Options d'installation

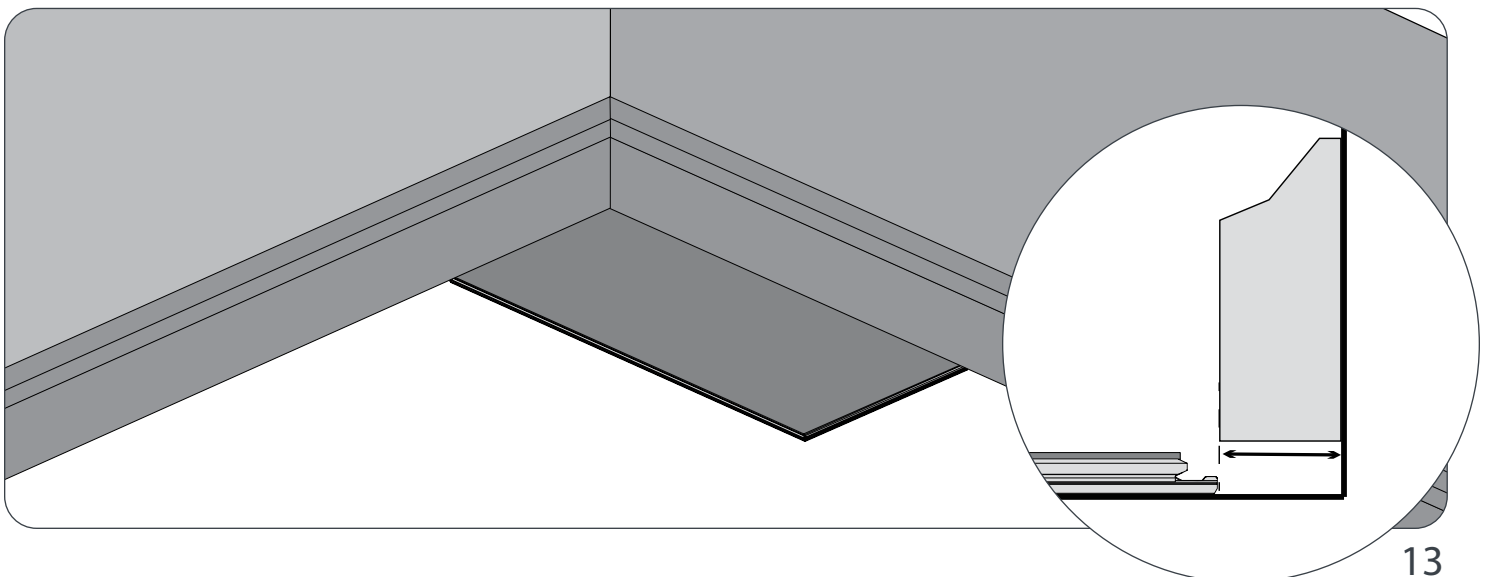
Option 1 : Installation d'un revêtement de sol garage NewAge

- Assurez-vous d'avoir observé les étapes recommandées à la page [page 10](#).
- Pour l'expansion et la contraction, il est recommandé de calculer 0,25% de la plus grande largeur.
- Exemple : l 10 pi x L 4 pi espace de garage.
 $10 \text{ pi} = 120 \text{ po}$
 $120 \text{ po} \text{ multipliés par } 0,25\% = 0,3 \text{ po} \text{ divisé par } 2 \text{ (pour les murs de gauche et de droite)} = 0,15 \text{ pou}$ d'espace d'expansion et de contraction de tous les côtés.
- En utilisant l'exemple ci-dessus, calculez l'écart de dilatation et de contraction nécessaire. Marquez le périmètre de la pièce pour vous assurer que l'écart est correct.
- L'écart calculé est suffisant pour installer les bandes de finition argentées à la fin. Lisez les instructions d'installation des bandes de finition argentées aux [page 18-20](#) avant de commencer.
- Si vous installez la garniture d'extrémité en EPDM de 75 pieds, prévoyez un espace supplémentaire de 0,2 po/5 mm en plus de l'espace de dilatation calculé. Cela permettra de tenir compte de l'épaisseur du matériau de l'accessoire.
- Les clients ont la possibilité d'installer leurs propres bandes de finition, plinthes et quarts de rond, à condition que l'espace de dilatation et de contraction soit suffisant.



Option 2 : Installation d'un revêtement de sol pour garage NewAge avec des plinthes préinstallées

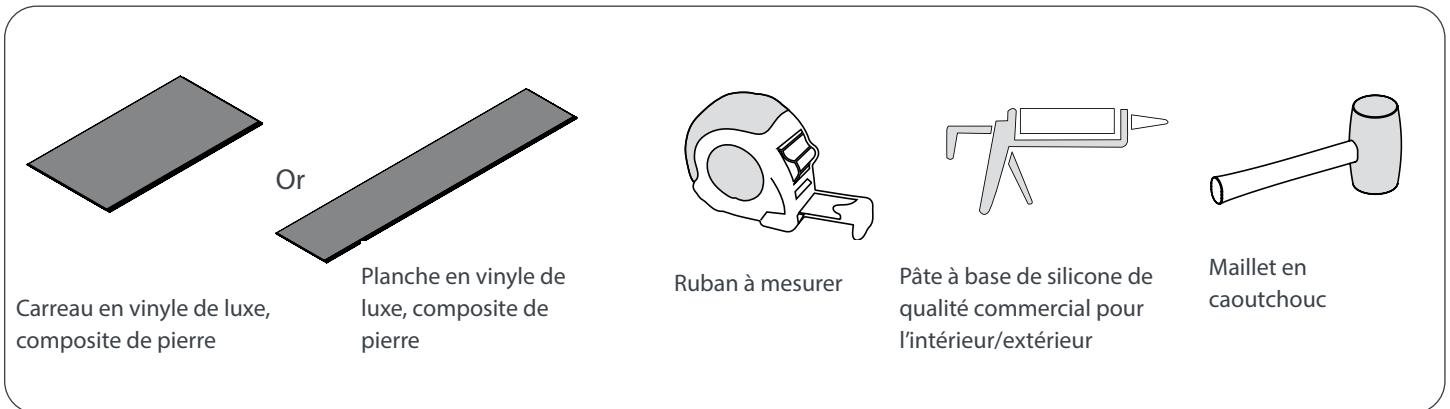
- Assurez-vous d'avoir observé les étapes recommandées à la [page 10](#)
- Une fois que l'espace a été préparé et que tous les quarts-de-rond ont été enlevés, alignez votre carreau ou planche le long du bord de la plinthe.
- Ceci devra rester uniforme le long du périmètre de la pièce.
- Une fois que le revêtement de sol aura été installé, ce sera le tour des quarts-de-rond.
- L'écart de dilatation et de contraction devra correspondre à la description de l'option 1, [page 13](#).



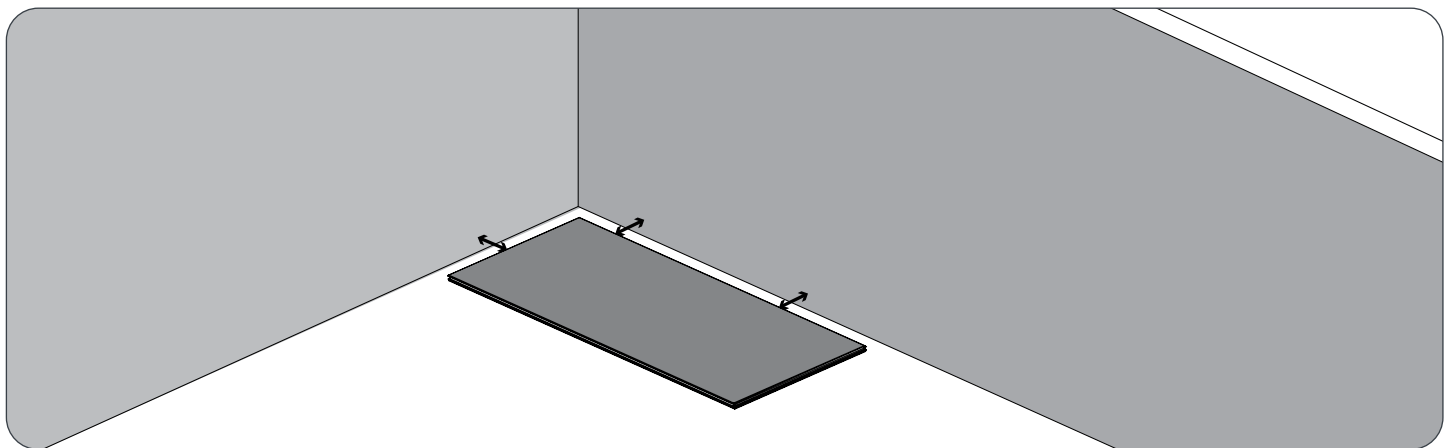
Installation du revêtement de sol (carreaux/planches)

Remarque : La disposition d'installation pour les carreaux de pierre et les planches en bois est la même.

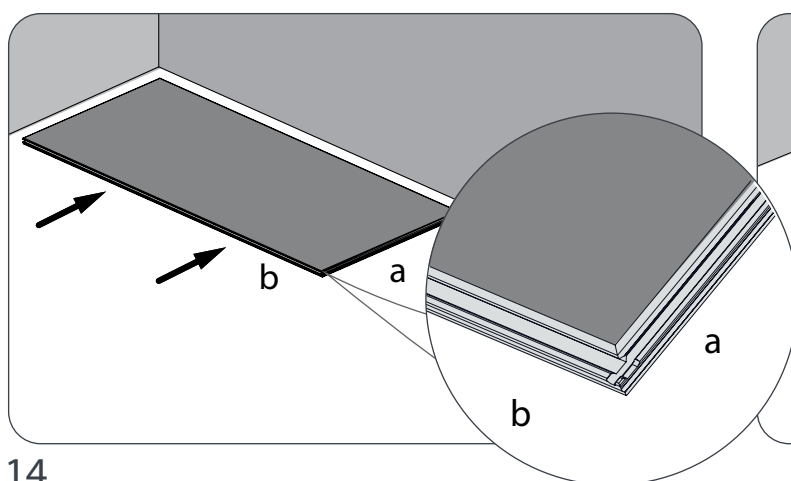
Pièces requises



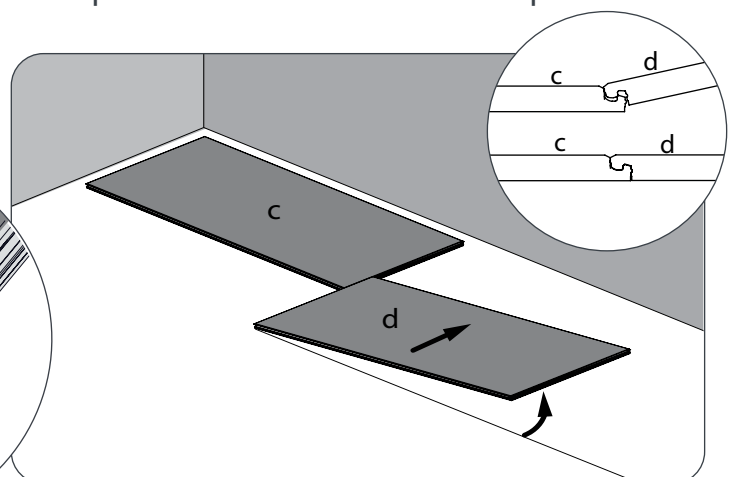
- 1** Assurez-vous d'avoir respecté la préparation d'espace recommandée et d'avoir lu entièrement les différentes options d'installation à la [page 12-13](#). Assurez-vous d'avoir mesuré l'écart d'expansion correct.



- 2** Assurez-vous que les profilés d'emboîtement d'ouverture du premier carreau se trouve à la base et du côté droit, à l'écart des murs.

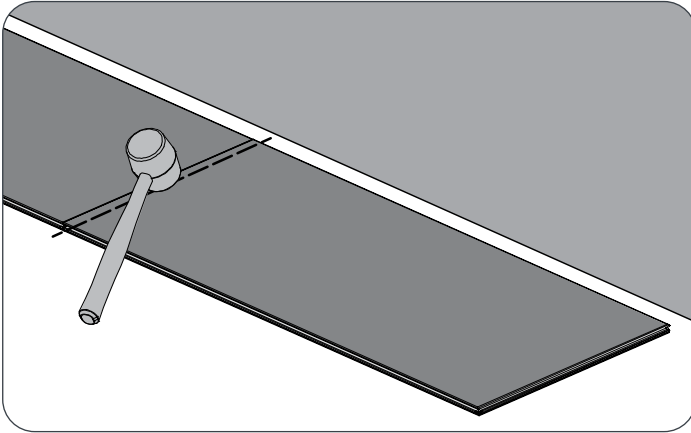


- 3** Posez le deuxième carreau légèrement en angle contre le premier carreau de plancher. Glissez le carreau en place.

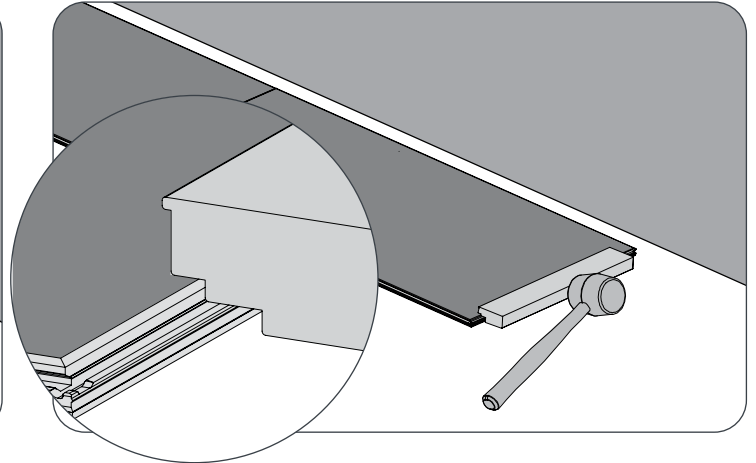


Installation du revêtement de sol (carreaux/planches)

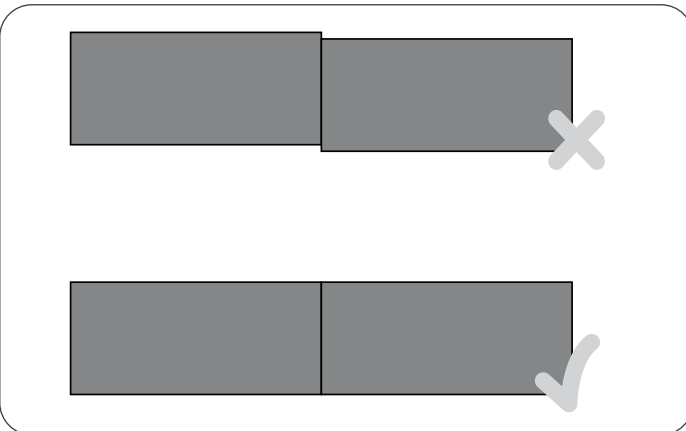
- 4** À l'aide d'un maillet en caoutchouc, frappez avec une force modérée le long du profilé à emboîter pour créer un joint serré.



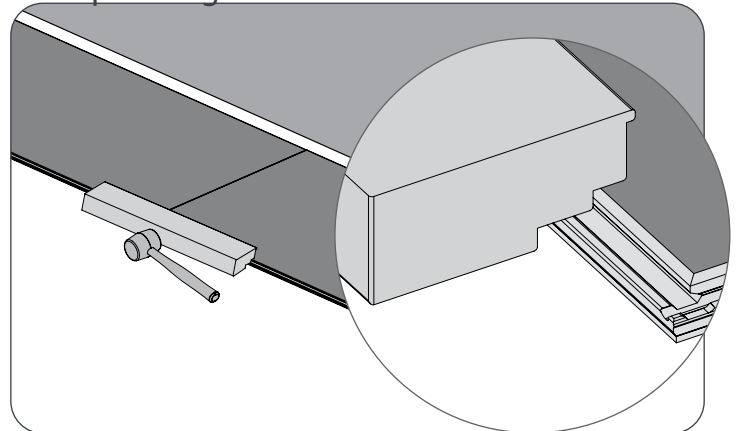
- 5** Placez le bloc de martelage le long du profilé d'emboîtement d'ouverture du bord court et frappez-y avec un maillet en caoutchouc. Ceci assure une installation serrée.



- 6** Assurez-vous que les bords sont parfaitement alignés.

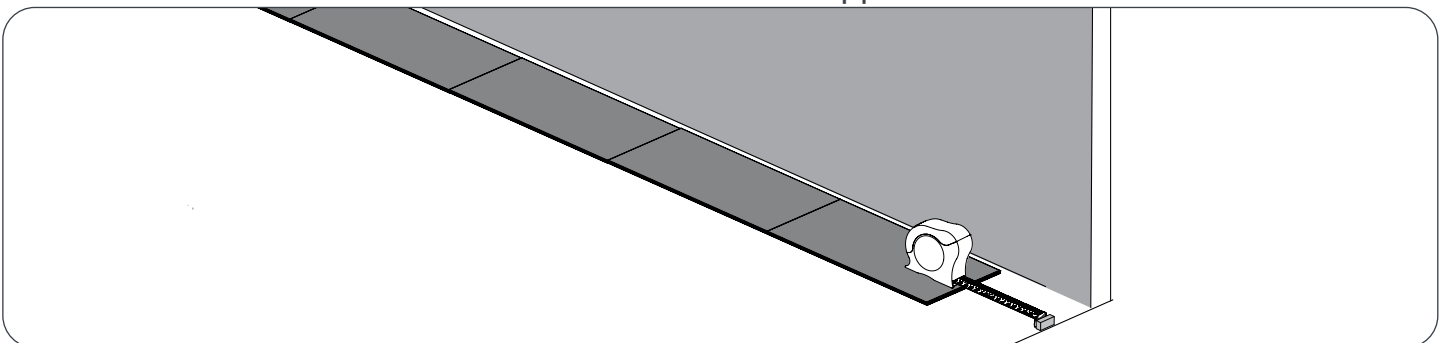


- 7** Placez le bloc de martelage sur le profilé d'emboîtement ouvert du bord long et frappez-y avec un maillet en caoutchouc pour aligner les carreaux.



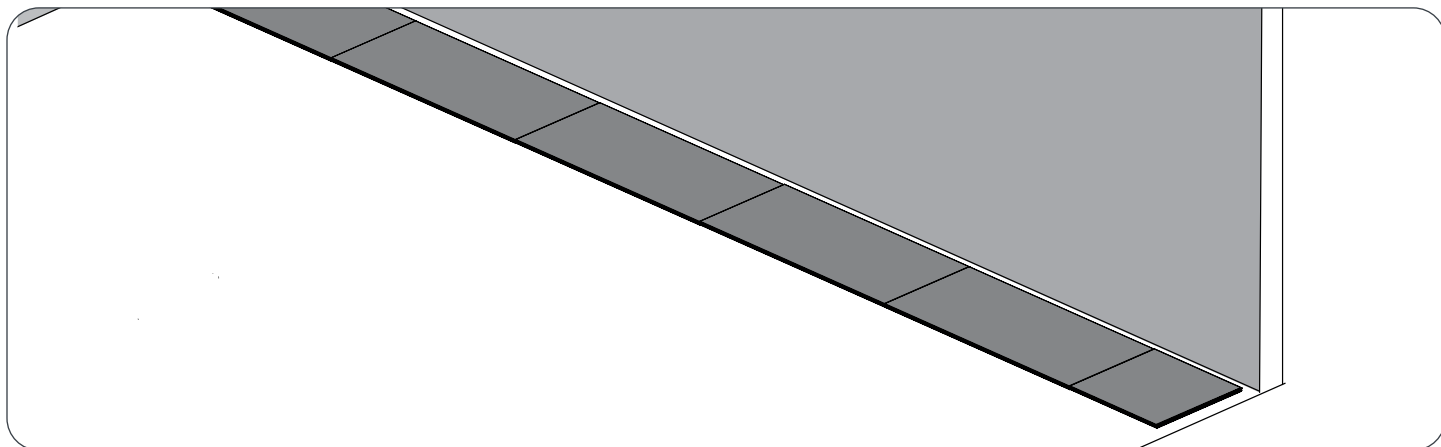
- 8** Suivez les étapes 1 à 7 pour le reste des rangées de carreaux. Mesurez l'espace à gauche pour le dernier carreau à l'aide d'un ruban à mesurer.

- 9** Coupez le carreau à la longueur requise. Reportez-vous à la [page 7](#) pour connaître la « **Méthode de découpe recommandée** ». Remarque : Selon l'installation que vous privilégiez, assurez-vous qu'il existe un jeu adéquat par rapport au mur.



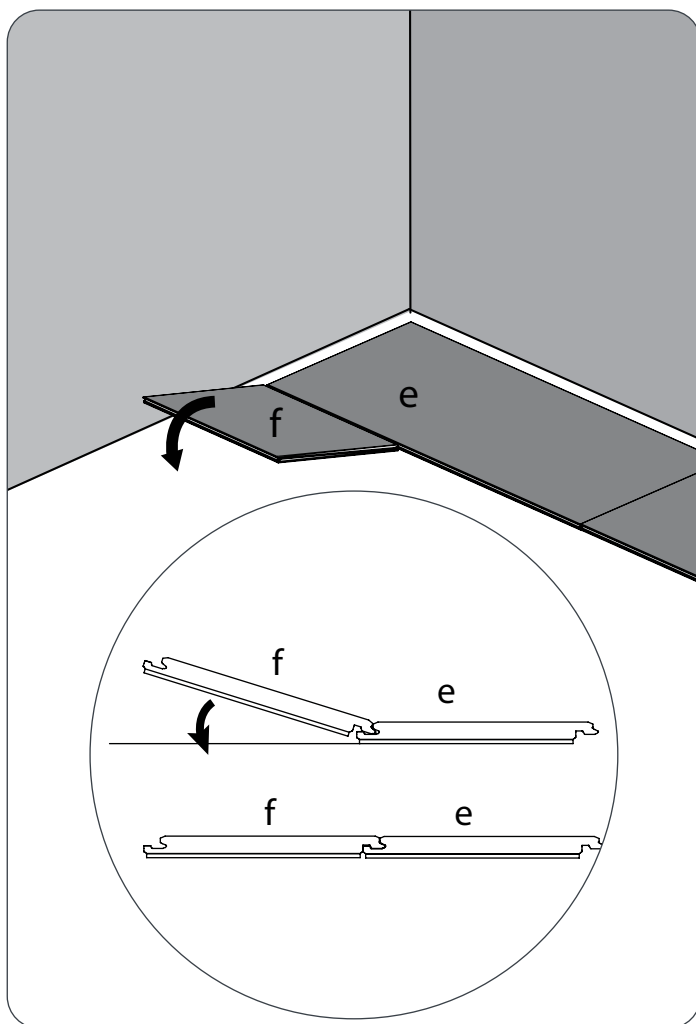
Installation du revêtement de sol (carreaux/planches)

10 Installez le dernier carreau de la première rangée.

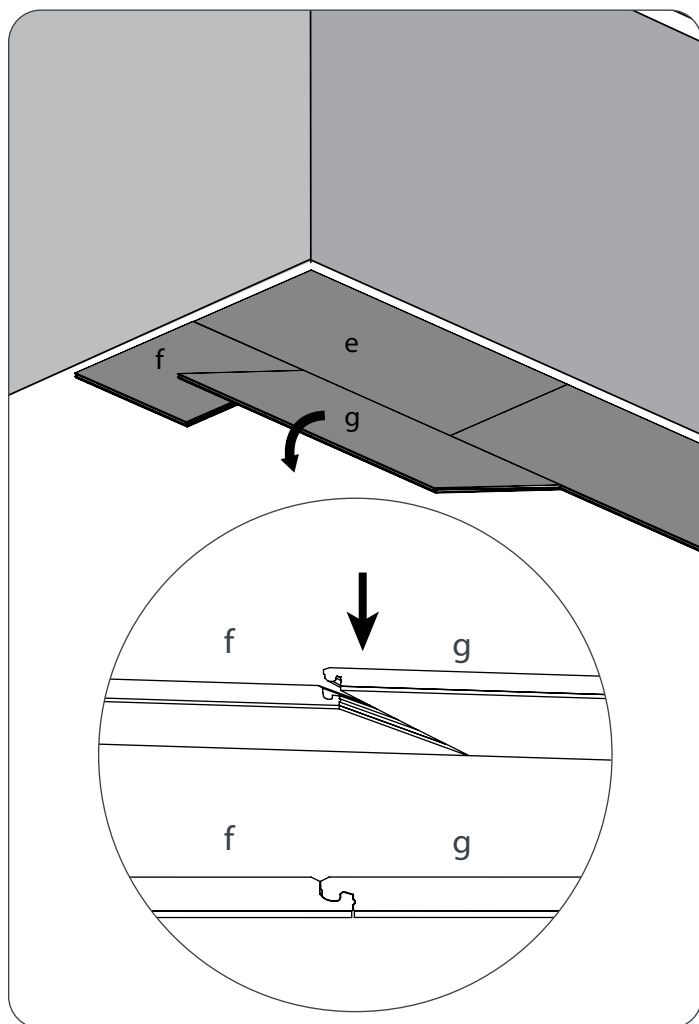


Remarque : Lorsque vous commencez la deuxième rangée, coupez le premier carreau en deux ou utilisez une retaille de la première rangée.

11 Placez votre carreau en angle le long du bord long de la première rangée et posez le carreau. Répétez les étapes 4 à 7 pour chaque carreau.

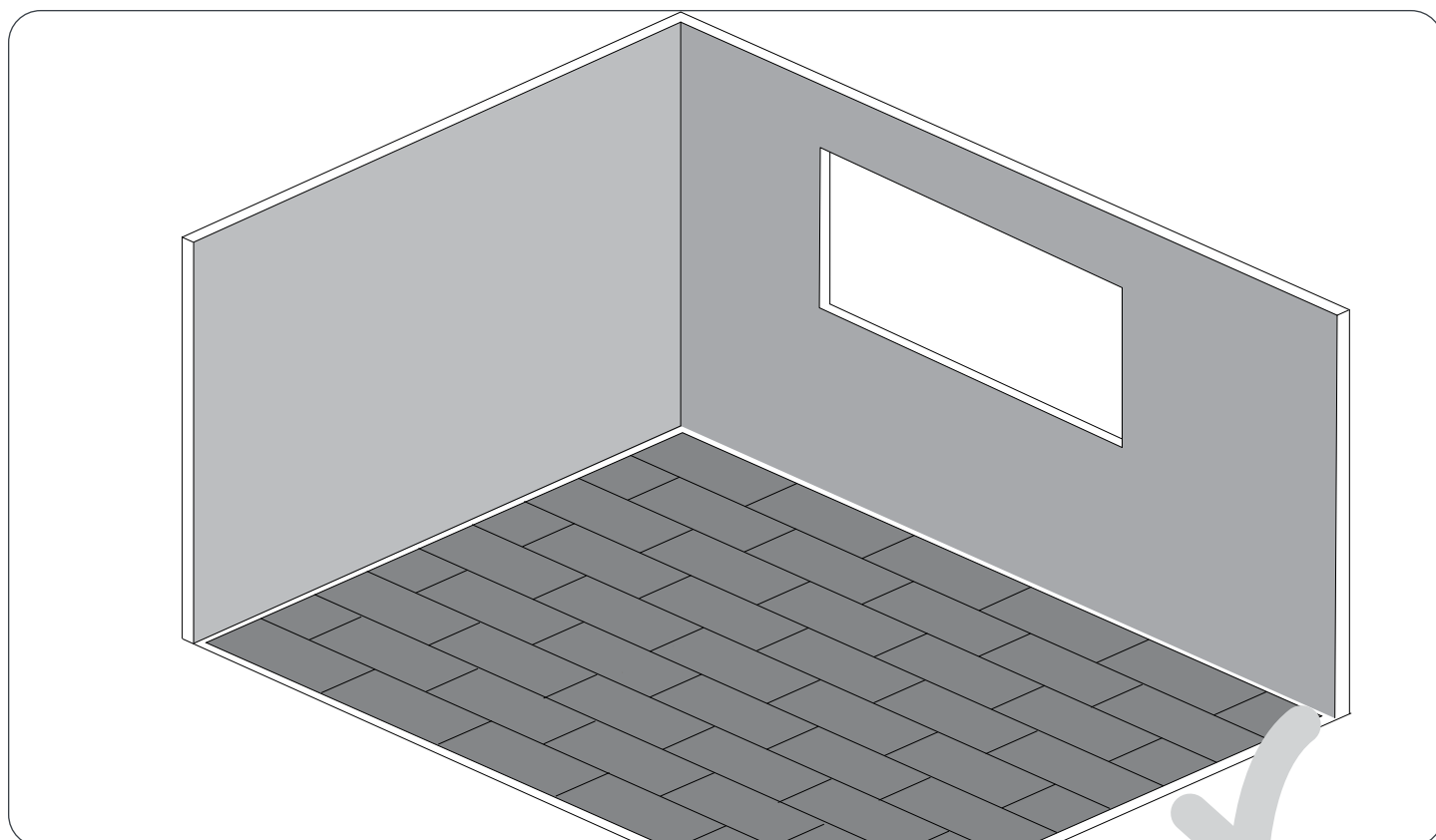
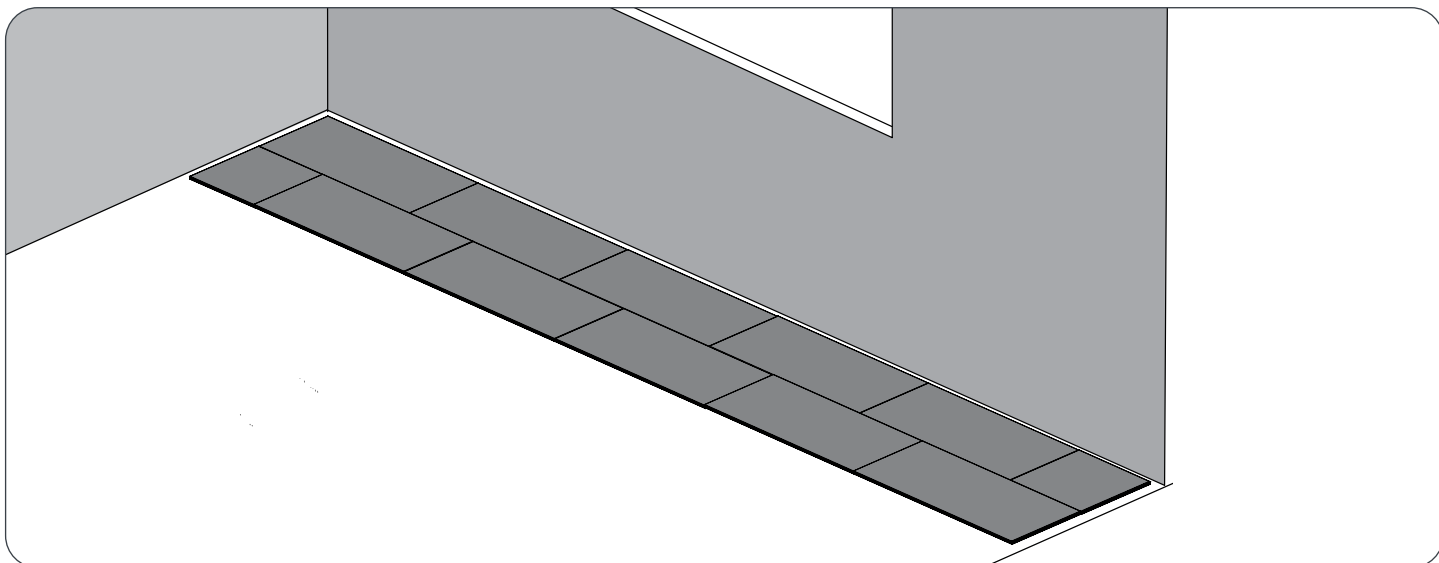


12 Placez votre deuxième carreau en angle le long du bord long de la première rangée et posez le carreau.



Installation du revêtement de sol (carreaux/planches)

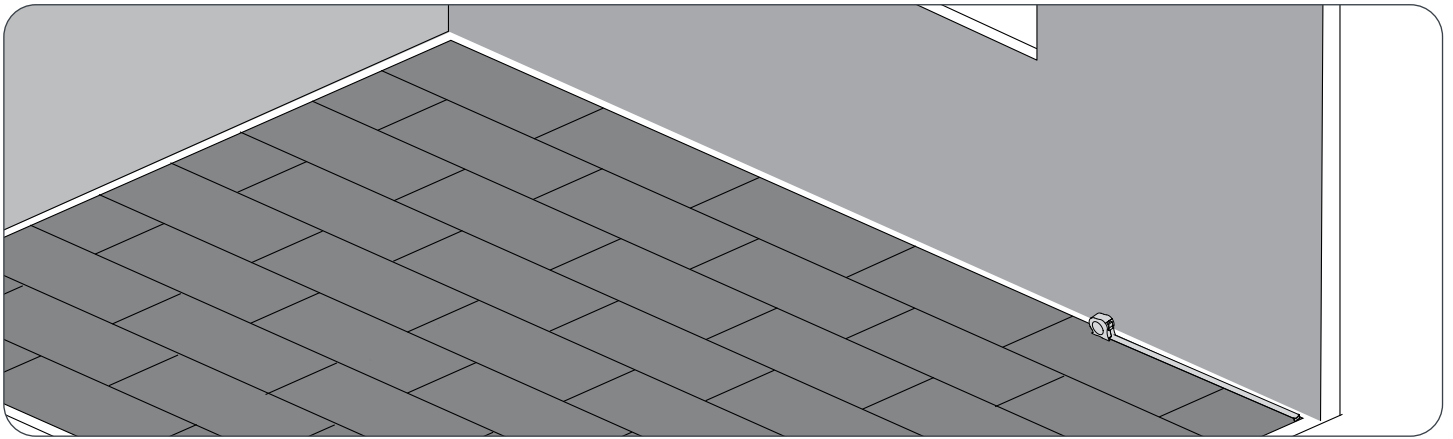
13 Suivez les étapes 1 à 12 pour le reste des rangées de carreaux.



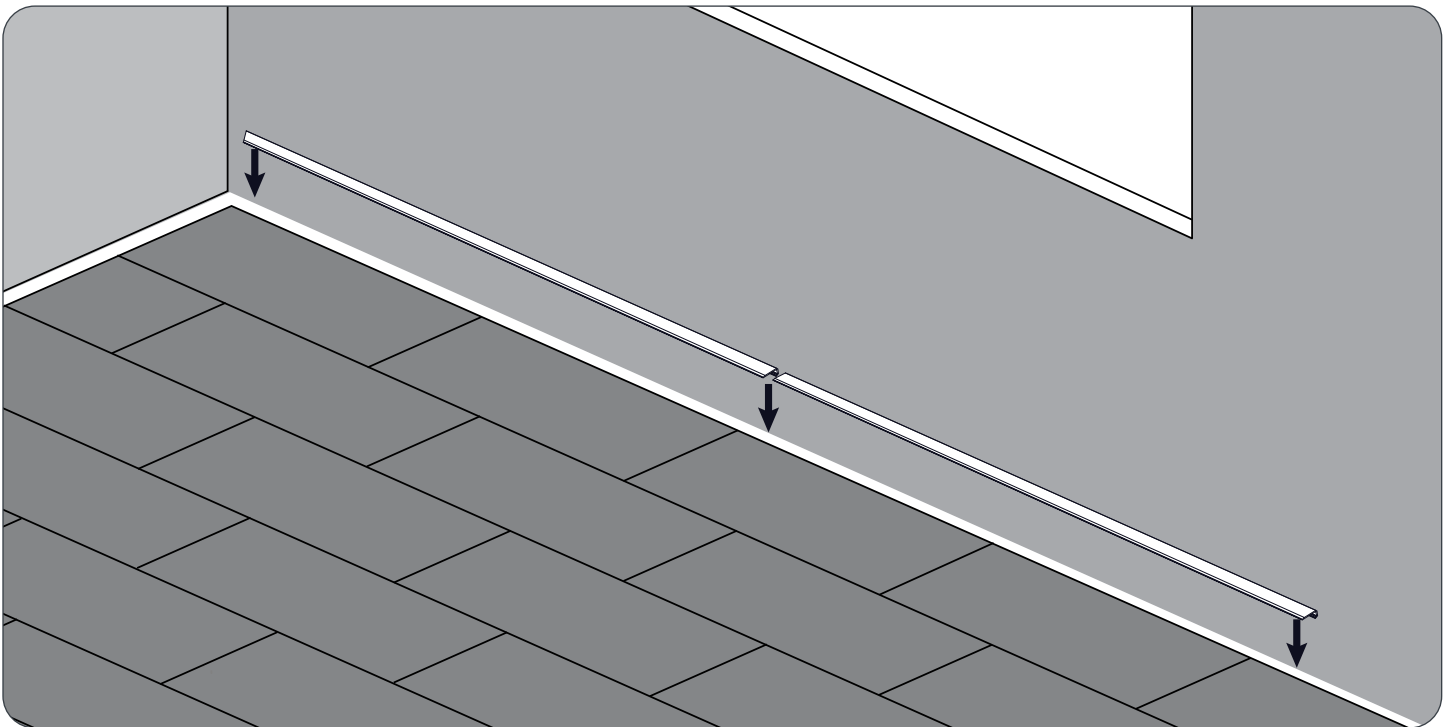
Remarque: Si vous n'installez pas les bandes de finition argentée NewAge, il est possible d'installer des plinthes et des quarts-de-rond pour compléter votre espace.

Installation des bandes de finition argentées

- 1 Mesurez la longueur du mur et calculez le nombre de bandes de finition dont vous aurez besoin.

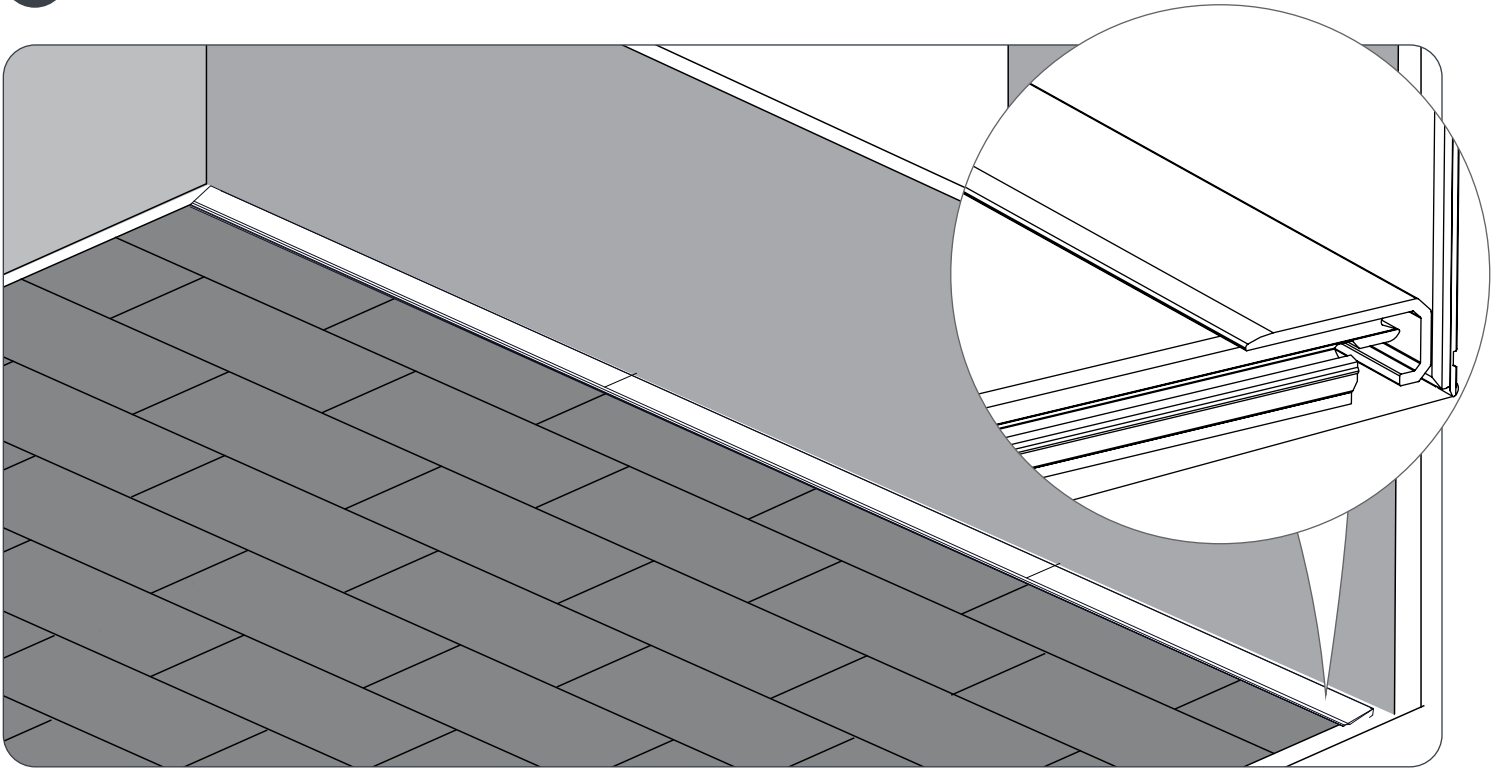


- 2 Placez délicatement les bandes de finition le long des bords du mur.

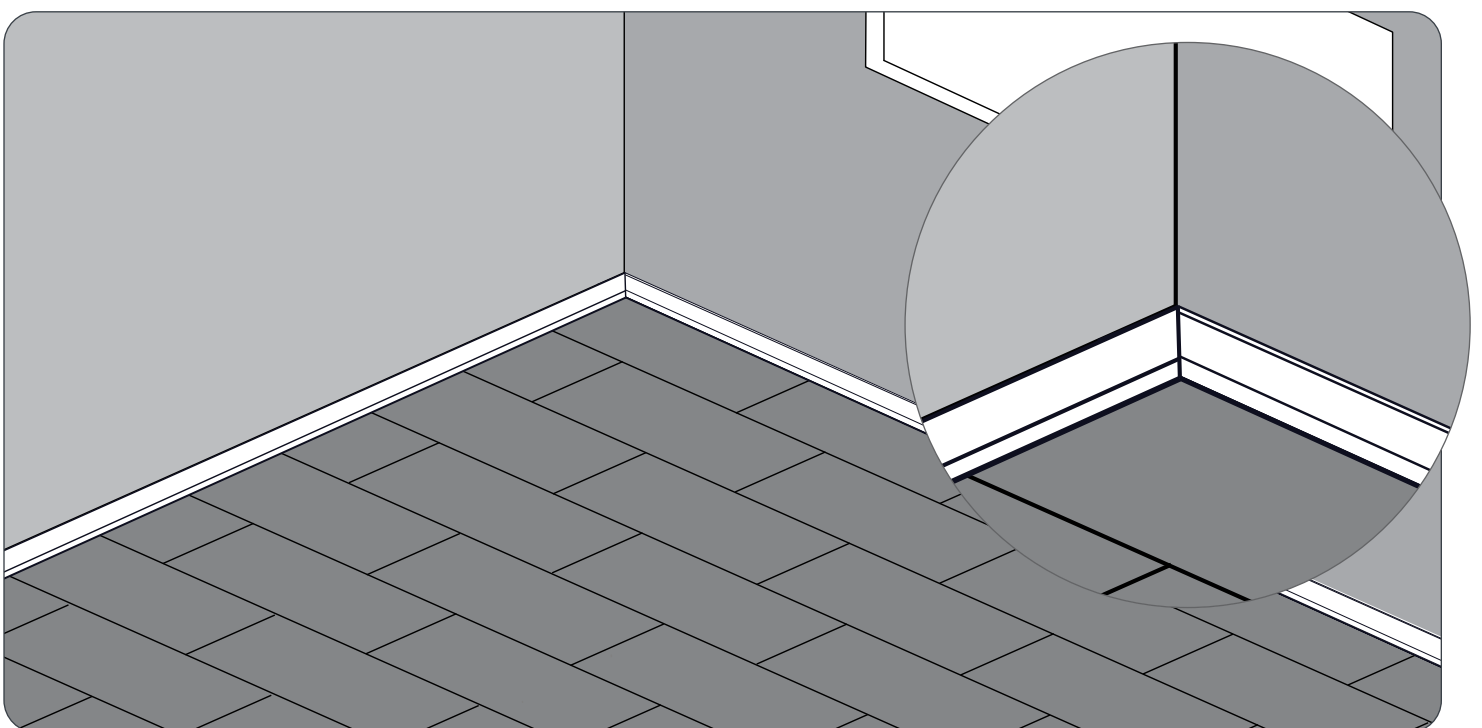


Installation des bandes de finition argentées

- 3** Assurez-vous que les bandes de finition recouvrent les bords des carreaux correctement.

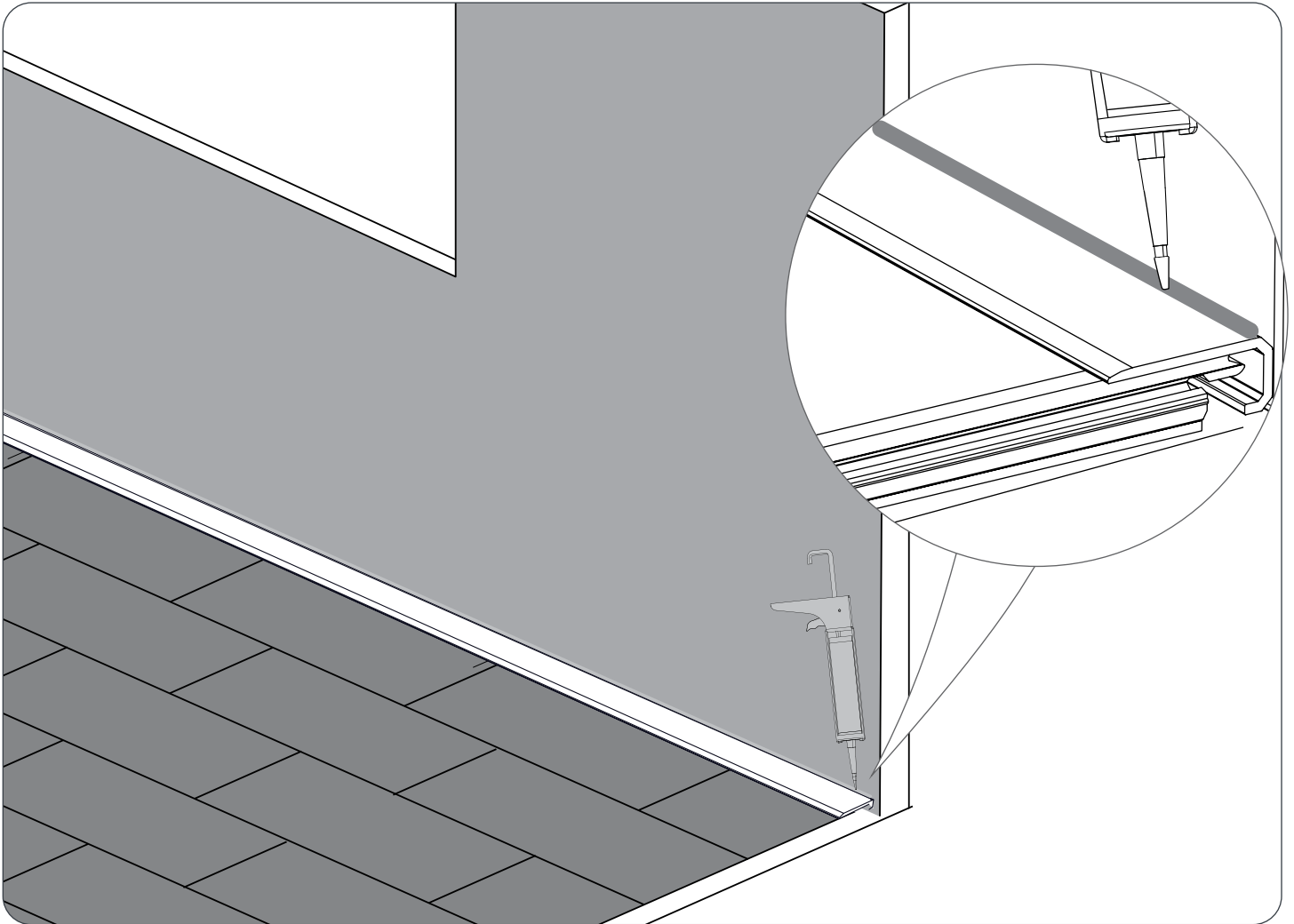


- 4** Suivez les étapes 1 à 3 pour les bandes de finition restantes. Pour les coins, réalisez une coupe d'onglet des extrémités des bandes de finition à 45 degrés.



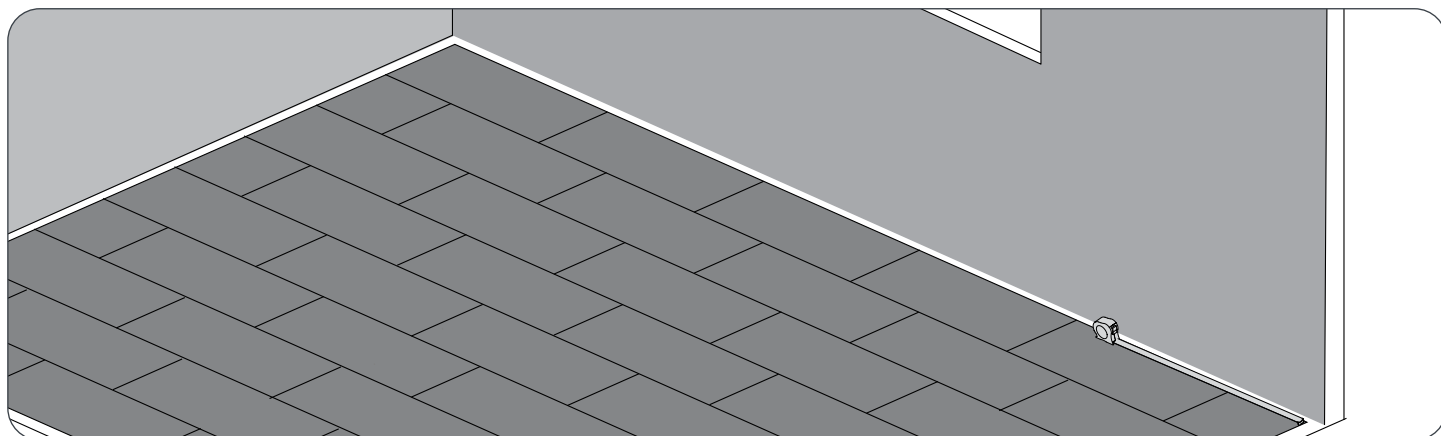
Installation des bandes de finition argentées

- 5** Une fois que toutes les bandes de finition argentées ont été mises en place, appliquez de façon uniforme du silicone sur le dessus de la bande. Il est recommandé d'appliquer du silicone vers la fin de l'installation.

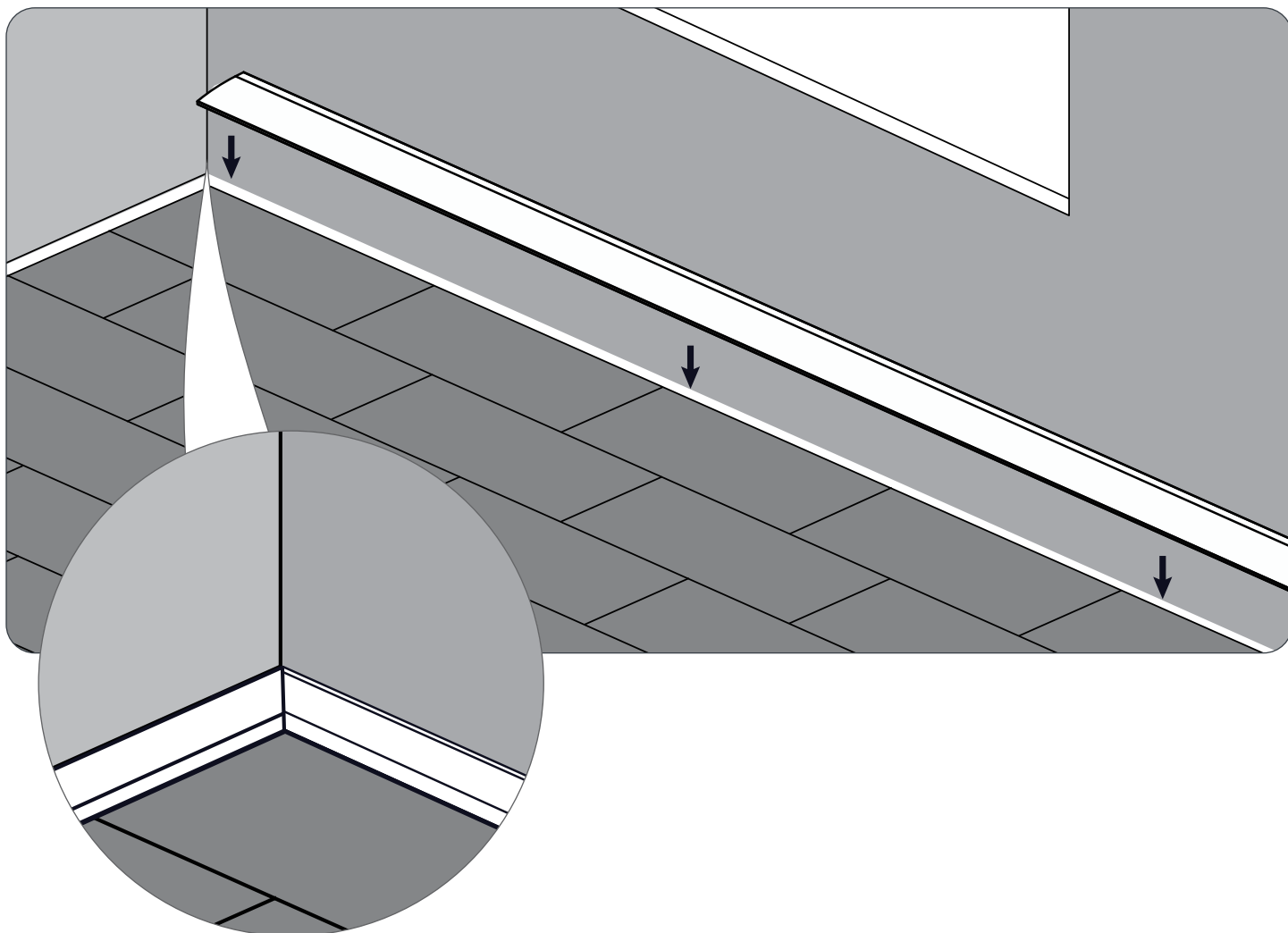


Installation des moulures d'extrémité de revêtement de sol EPDM de 75 pi

- 1** Assurez-vous d'avoir mesuré l'écart de dilatation et de contraction correct, [page 13](#).
Mesurez la longueur du mur et coupez la longueur nécessaire de moulure d'extrémité du produit enroulé.

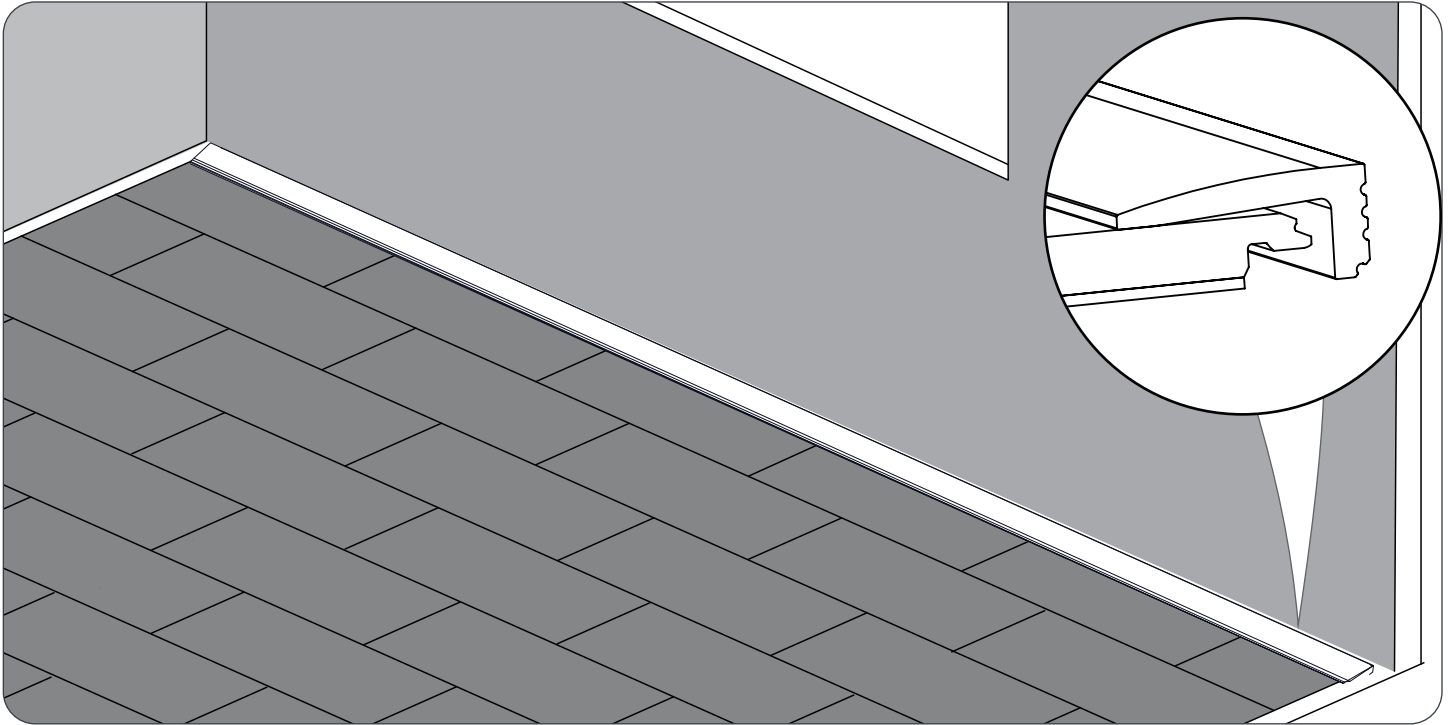


- 2** Placez soigneusement les moulures de bordure de carrelage le long des bords, contre le mur. Veillez à couper l'extrémité de chaque bande en biseau à 45 degrés pour les installations d'angle. Cette étape permet de s'assurer que la moulure s'insère correctement dans les interstices et que toutes les pièces sont prêtes à être installées.

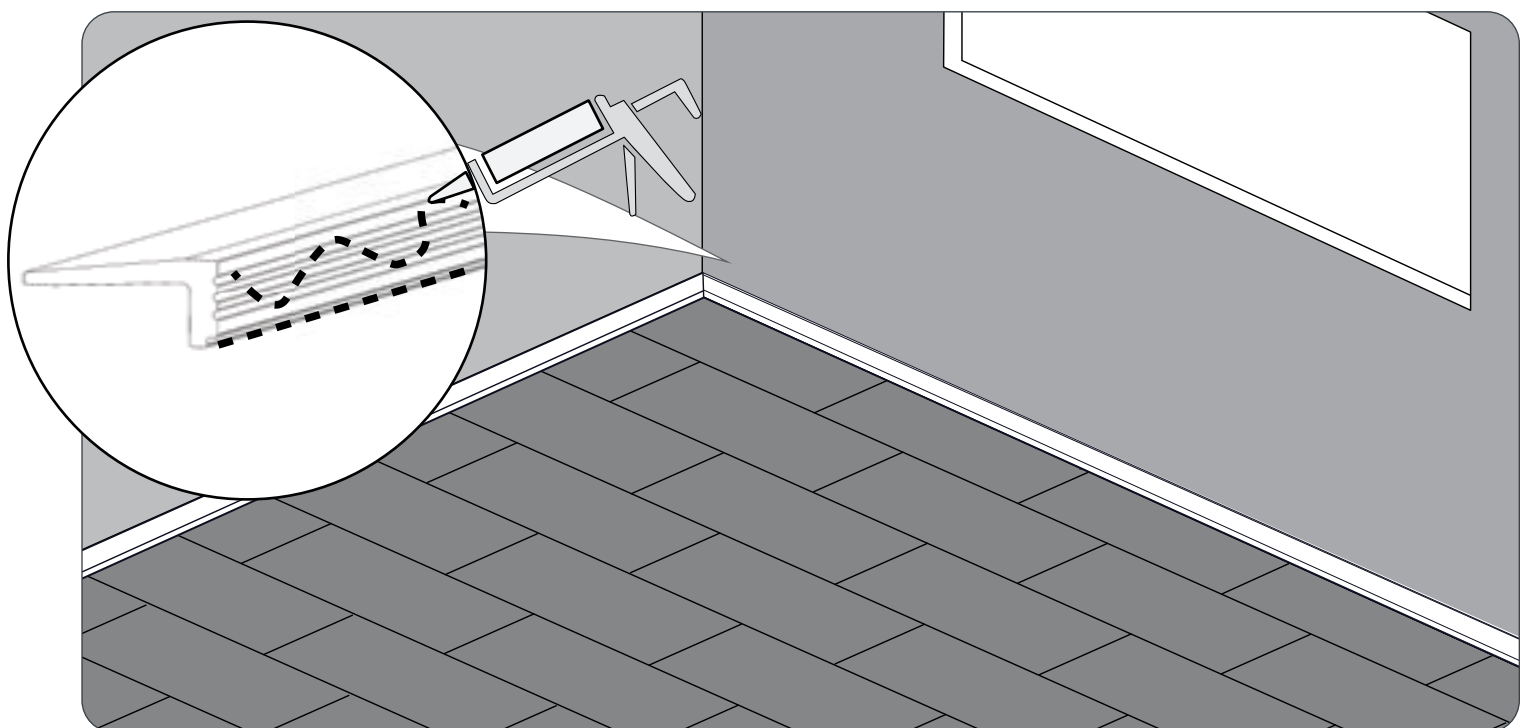


Installation des moulures d'extrémité de revêtement de sol EPDM de 75 pi

- 3** Assurez-vous que les bandes de moulure d'extrémité du garage couvrent correctement les bordures des carreaux.



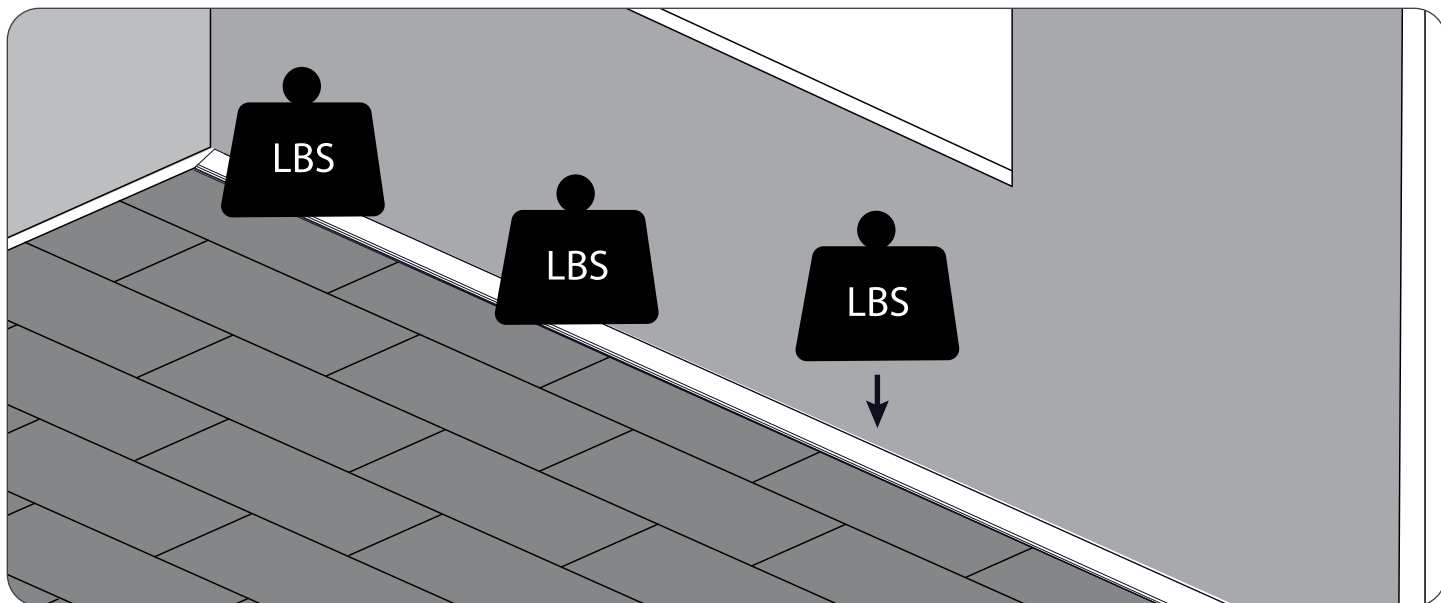
- 4** Une fois que toutes les moulures sont en place et coupées aux dimensions voulues, retirez la première moulure et appliquez un produit d'étanchéité de qualité commerciale à l'arrière, comme le montre l'image détaillée ci-dessous.



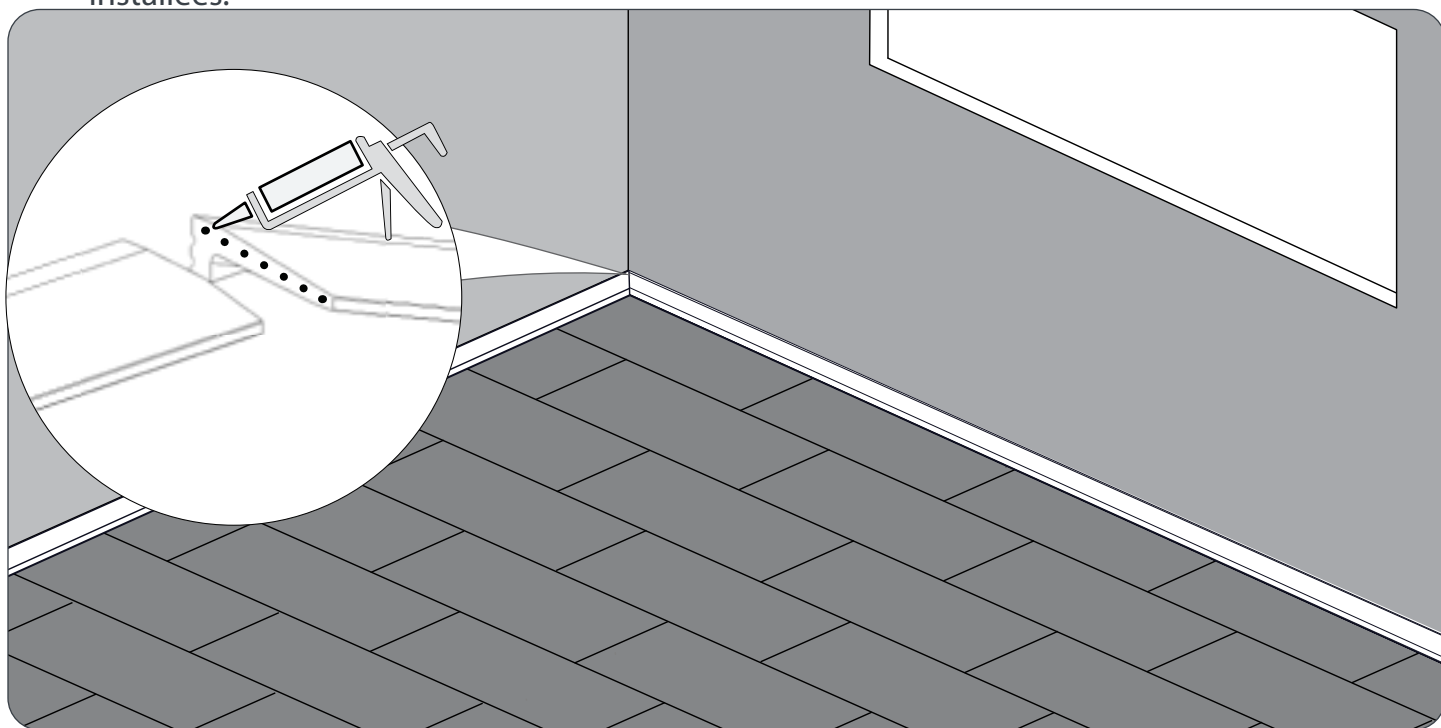
Installation des moulures d'extrémité de revêtement de sol EPDM de 75 pi

- 5** Appliquez uniformément des poids sur la moulure d'extrémité installée pour fixer le produit en place pendant que le produit d'étanchéité durcit. Suivez l'étape 5 après l'installation de chaque bande.

Remarque : Utilisez un chiffon propre et humide pour enlever l'excédent de colle.



- 6** Continuez à installer toutes les bandes de moulure d'extrémité restantes sur le mur et n'oubliez pas de couper en biseau à 45 degrés sur toutes les bordures nécessaires. Alors que vous poursuivez l'installation, n'oubliez pas d'ajouter régulièrement des poids aux moulures installées.

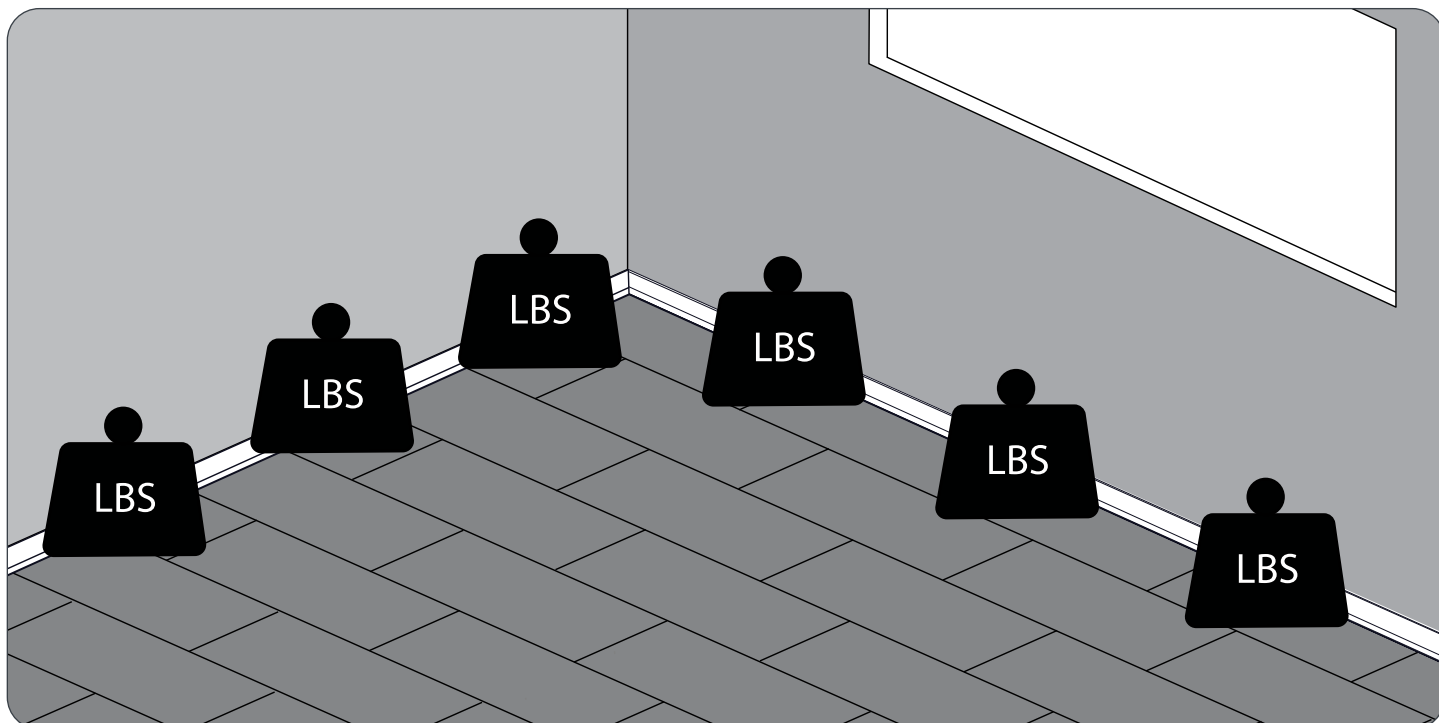


Remarque : Pour une meilleure installation en angle, ajoutez un produit d'étanchéité sur le bord biseauté, afin que les deux bandes soient reliées de façon permanente.

Installation des moulures d'extrémité de revêtement de sol EPDM de 75 pi

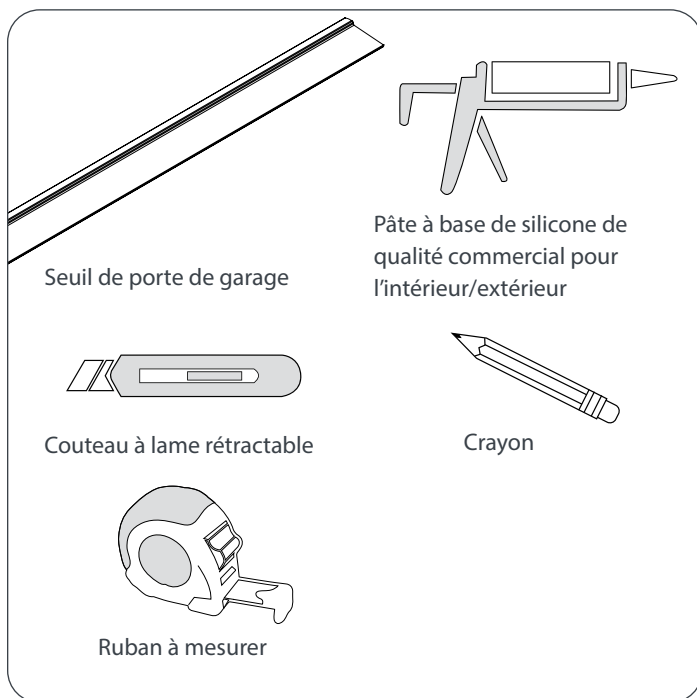
- 7** Une fois que toutes les moulures d'extrémité sont installées, assurez-vous que les poids sont placés uniformément sur les moulures. S'il n'est pas possible d'avoir accès à des poids, ajoutez des éléments de taille similaire, espacés régulièrement sur le dessus des moulures.

Les poids ne doivent être enlevés qu'après le durcissement complet du produit d'étanchéité. Reportez-vous aux instructions du produit d'étanchéité pour le temps de durcissement.

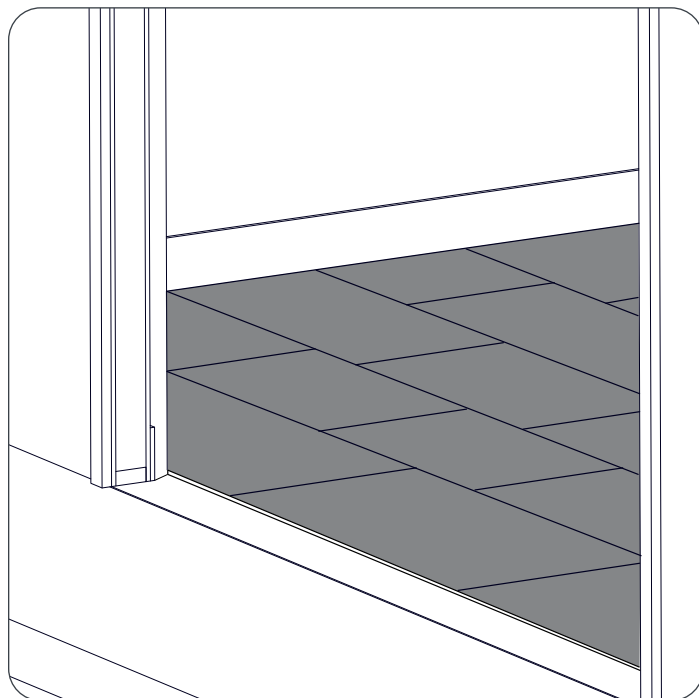



Installation du seuil de la porte de garage

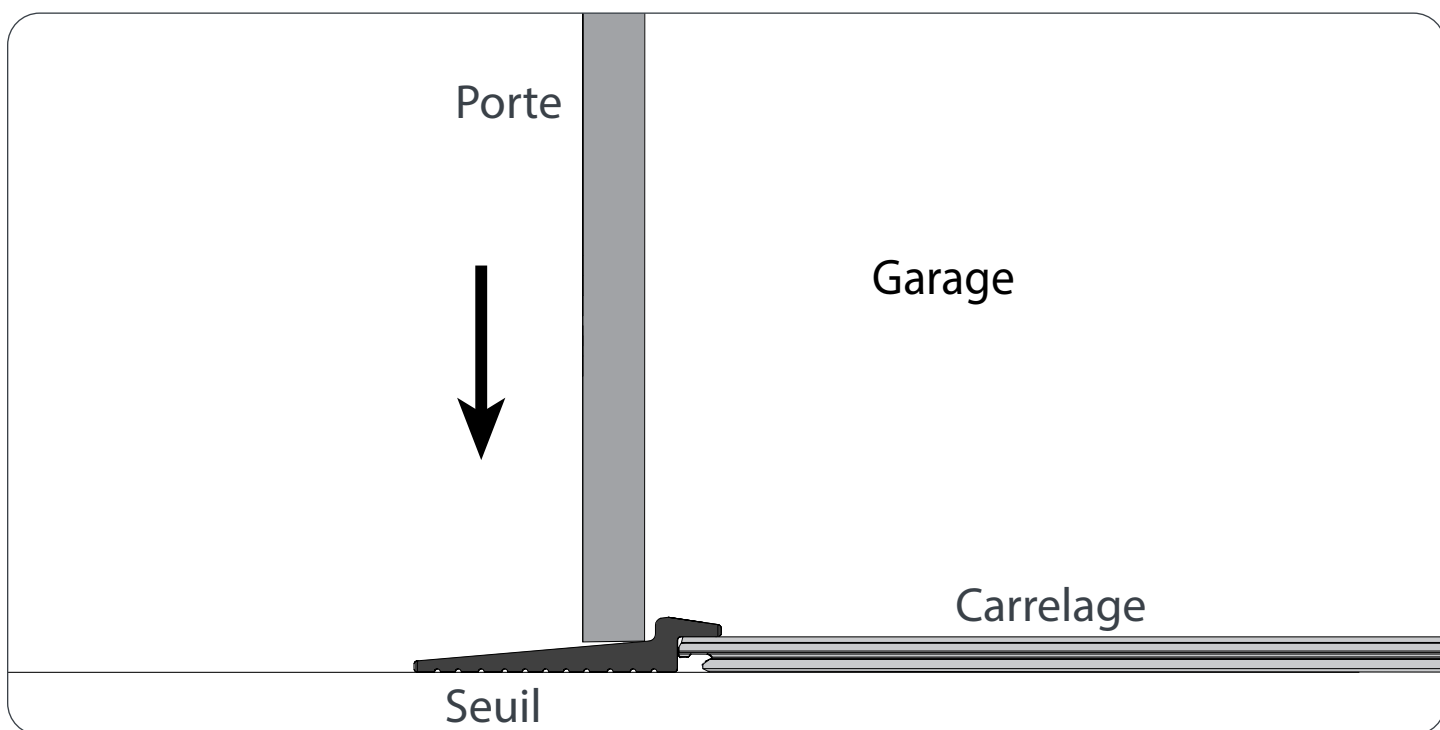
Pièces requises



Note: Si vous installez le seuil contre votre sol, assurez-vous que ce dernier a été installé en commençant par la porte et que vous avez travaillé en reculant. Cela facilitera l'installation du seuil et permettra une meilleure transition entre le sol et le seuil.

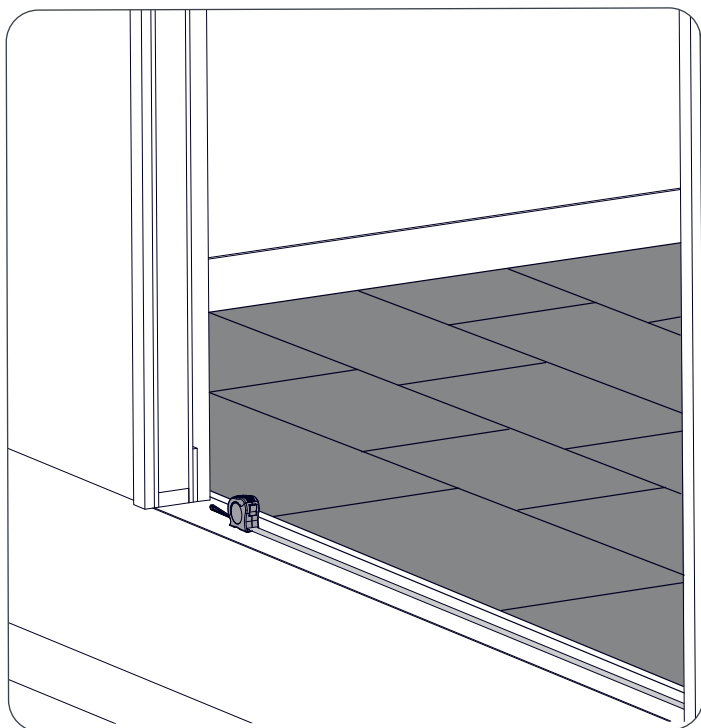


 Le seuil de la porte de garage a été conçu pour s'ajuster de façon serrée contre les planchers NewAge. Assurez-vous de nettoyer la saleté et l'eau de la superficie. Ceci aidera à former un joint étanche une fois le seuil installé.

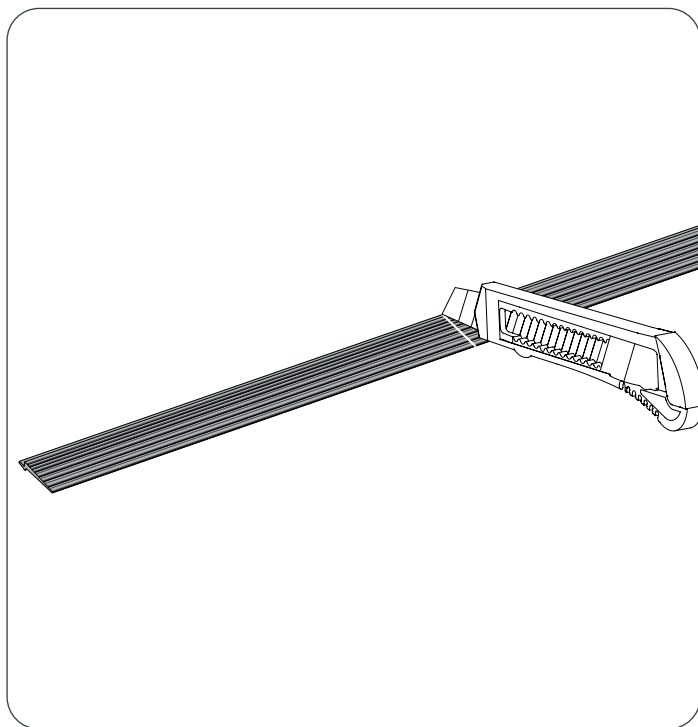


Installation du seuil de la porte de garage

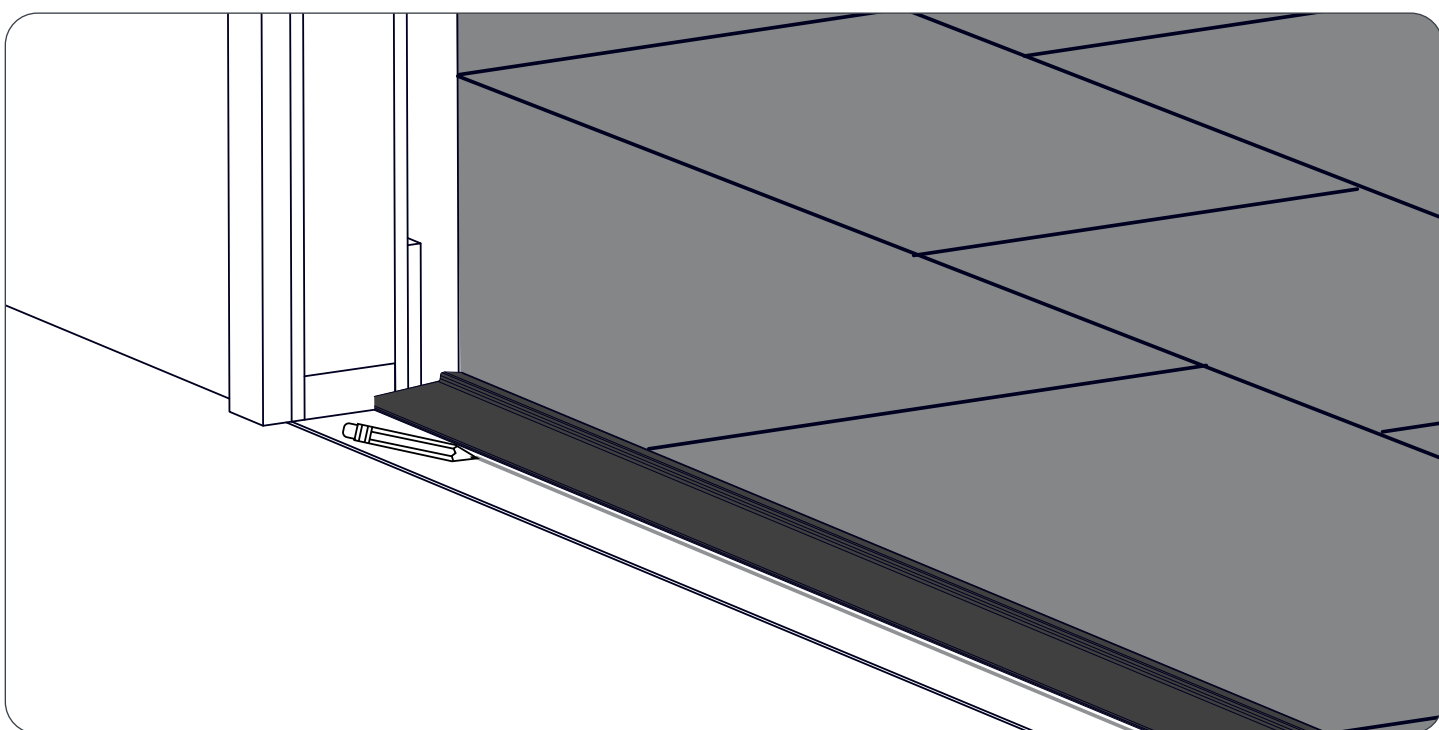
- 1** Déterminez la longueur requise pour le seuil de garage en mesurant la longueur de l'entrée de la porte de garage.



- 2** Coupez le seuil de garage à la longueur requise à l'aide d'un couteau à lame rétractable.

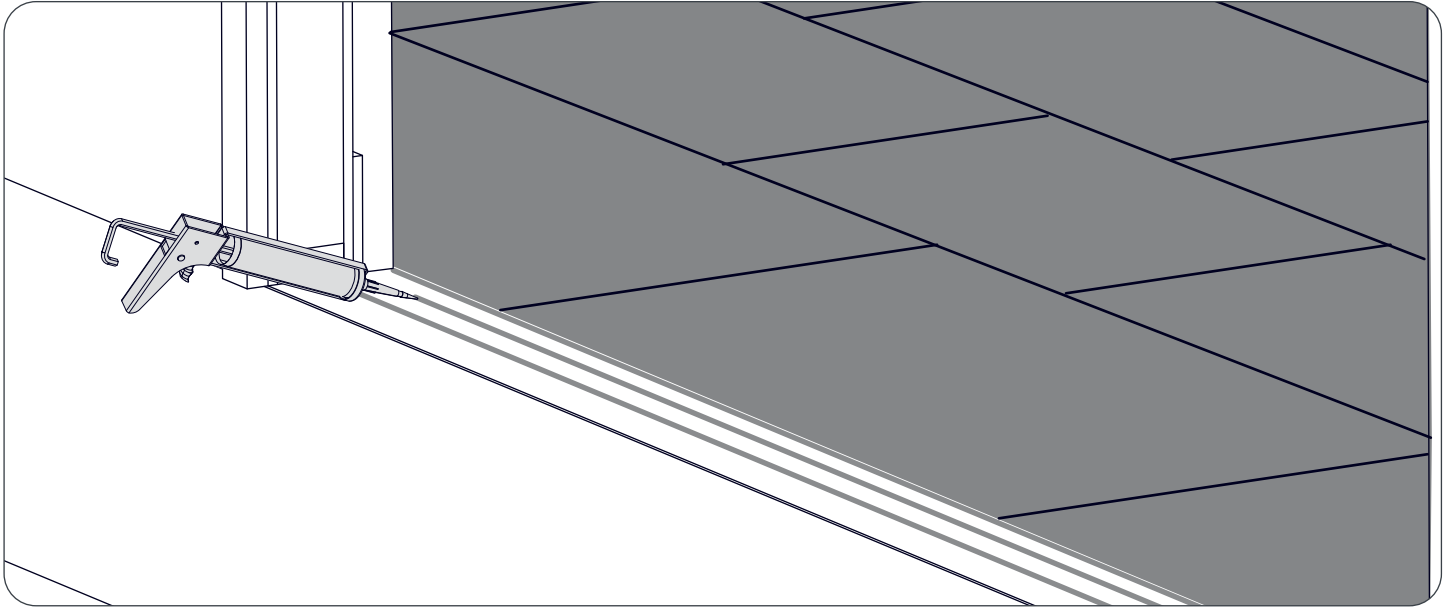


- 3** Placez le seuil contre le plancher et utilisez un crayon ou une craie, maquez la position du seuil.

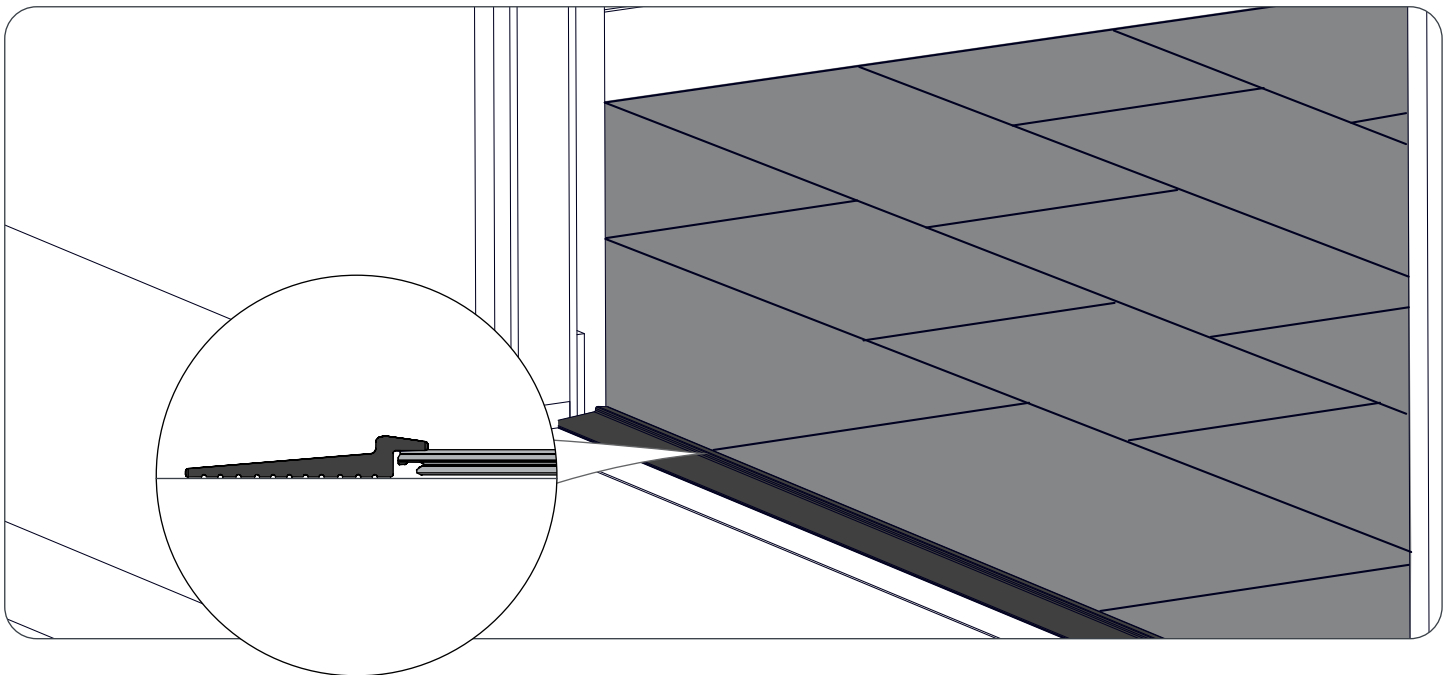


Installation du seuil de la porte de garage

- 4** Retirez le seuil et appliquez uniformément trois rangées d'adhésif le long de toute la longueur de la porte, entre les marques.



- 5** Positionnez délicatement le seuil. Pressez fermement le joint de porte en position. Essuyez l'excès d'adhésif sur les coins à l'aide d'un chiffon propre. Fermez la porte de garage pour conserver une pression constante sur le seuil pendant vingt-quatre heures.



Remarque: Ne roulez pas sur le seuil de garage pendant 24 heures.

Soins et entretien

Pour assurer la durabilité et la longévité du produit, nous vous recommandons ce qui suit :

Recommandé :

- Essuyer tout déversement aussi rapidement que possible. N'utilisez aucun outil de récurage abrasif sur aucun produit de luxe en composite de pierre NewAge.
- Utiliser une vadrouille/chiffon chaque fois que vous nettoyez le revêtement de sol en composite de pierre NewAge.
- Balayer, épousseter, passer une vadrouille humide ou aspirer fréquemment (sans barre de battage) vos planchers pour en retirer les particules.
- Éviter les déversements de peinture, de teintures et de produits chimiques abrasifs.

Non recommandé :

- Aspirer avec une barre de battage
- Utiliser des agents de nettoyage ou des finis prévus pour d'autres types de revêtement de sol, comme des carreaux ou des planchers en bois dur. Les agents de nettoyage ne doivent pas contenir de cire, d'huile ou de poli.
- Utiliser des outils de récurage hautement abrasif ou des produits pour vadrouille conçus pour faire briller.

Soins proactifs

- NewAge Products Inc. ne recommande pas d'utiliser des tapis dont l'endos est en caoutchouc ou en latex. Les produits chimiques que l'on retrouve dans les tapis en caoutchouc ou en latex pourraient décolorer vos planchers. Utilisez un tapis non tachant dont l'endos est en vinyle ou un tapis tissé grand teint.
- Lorsque vous déplacez des objets ou meubles lourds, utilisez des draps protecteurs et faites « marcher » l'objet plutôt que de le traîner/tirer.
- Faites en sorte de garder courtes les griffes des animaux de compagnie.

Garantie

NewAge Products Inc., une société à responsabilité limitée constituée et existant en vertu des lois de l'Ontario, Canada, ayant son bureau enregistré au 111 Creditview Road, 2e étage, Vaughan, Ontario, Canada, L4L 9T1 (« NewAge Products »).

Produits et protection

Produit	Couche d'usage	*Résidentiel	**Commercial	***Espaces de garage
Carreaux en composite de pierre de 9,5 mm	0.7mm / 27.6 mil	◦ Limitée à vie	◦ Limitée 10 ans Commercial	◦ Limitée 5 ans
Planches en composite de pierre de 9,5 mm	0.7mm / 27.6 mil	◦ Limitée à vie	◦ Limitée 10 ans Commercial	◦ Limitée 5 ans

* **Résidentiel** : Se rapporte à des espaces résidentiels intérieurs

****Commercial** : Se rapporte à des environnements très achalandés, comme des bureaux, des bâtiments publics, des magasins de détail, des restaurants, des salles d'exposition, des garderies et des espaces communs de bâtiments.

*****Espaces de garage** : Se rapporte à des espaces de garage résidentiels. Le revêtement de sol de luxe en composite de pierre NewAge a été conçu pour être résistant et il peut s'accommoder d'une circulation lourde et fréquente.

◦ **Les limitations à la présente garantie sont définies à travers les exclusions de la [page 32](#)**

Le revêtement de sol de NewAge Products a été conçu pour être résistant autant dans les espaces à usage commercial que résidentiel, ce qui en fait une solution de revêtement de sol idéale pour vos besoins. En suivant les soins et l'entretien fournis pendant les années de validité de la garantie, le revêtement de sol en composite de pierre NewAge Products est :

Résistant à l'eau- Le revêtement de sol en composite de pierre NewAge ne gonflera pas et ne perdra pas son intégrité lorsqu'il est exposé à l'eau.

Résistant à la rayure- Le revêtement de sol en composite de pierre NewAge résiste aux rayures de surface légères qui ne pénétreront pas la couche décorative supérieure.

Résistant aux taches- Le revêtement de sol en composite de pierre NewAge résistera aux taches causées par des produits consommables ou ménagers.

Convient aux animaux de compagnie- Le revêtement de sol en composite de pierre NewAge ne dégage pas de substances chimiques nocives et peut résister aux tâches causées par des accidents.

Aucune acclimatation nécessaire- Le revêtement de sol en composite de pierre NewAge ne nécessite pas d'acclimatation de 24 heures avant l'installation

Garantie (suite)

Dispositions

Cette garantie est non transférable et s'applique à l'acheteur d'origine et au site d'installation d'origine. Une preuve d'achat est par conséquent nécessaire. Veillez à conserver votre reçu ou à en obtenir un auprès de votre vendeur d'origine. NewAge Products ne pourra en aucune circonstance être tenu responsable de toute perte de temps, d'inconvénients, de dépenses, de coûts ou d'autres coûts immatériels causés par un problème au sujet duquel une réclamation est faite ou résultant de celui-ci. NewAge Products exclut toute responsabilité pour des pertes de profit et ne paiera aucun autre dommage indirect, particulier, accessoire ou immatériel en vertu de cette garantie.

Pré-installation

Avant l'installation, assurez-vous d'avoir lu les instructions d'installation et inspecté les produits. Toute pièce présentant des vices ne doit pas être installée et NewAge Products ne pourra être tenu responsable des revêtements de sol installés avec des défauts visuels.

Qu'est-ce qui est couvert?

Résidentiel

S'il est installé correctement en respectant les instructions d'installation fournies et qu'une maintenance adéquate est réalisée, le revêtement de sol de luxe en composite de pierre NewAge est couvert par la garantie ce qui suit :

- Ne s'usera pas à travers¹ la couche d'usage supérieure décorative. Les rayures, coupures, entailles ou la diminution du niveau de lustre ne sont pas considérées comme de l'usure.
- Ne sera pas taché² par des produits consommables, comme de la nourriture, des boissons et des articles ménagers courants, comme des produits de nettoyage.
- Ne se bouclera pas au niveau des bords
- Ne se déchirera pas en raison d'un usage domestique normal
- Ne se décolorera pas et ne présentera pas de croissance de moisissures en raison de la sous-couche préfixée.

S'usur à travers¹ : Est défini comme étant des dommages causés à la couche décorative en raison d'une utilisation domestique.

Une tache² : Est définie comme étant une décoloration permanente de la surface du revêtement de sol qu'il est impossible de nettoyer.

Commercial

S'il est installé correctement en respectant les instructions d'installation fournies et que les soins et l'entretien adéquats sont réalisés, le revêtement de sol de luxe en composite de pierre NewAge est couvert par la garantie ce qui suit :

- Ne s'usera pas à travers¹ la couche d'usage supérieure décorative pendant la période de la garantie établie ci-dessus.
- Ne sera pas taché² par des produits consommables, comme de la nourriture, des boissons et des produits de nettoyage.

Garantie (suite)

-Ne se bouclera pas au niveau des bords.

-Ne se décolore pas et ne présentera pas de croissance de moisissures en raison de la sous-couche préfixée.

Lorsque vous choisissez un plancher, prenez en compte l'espace où il sera installé et sélectionnez un aspect visuel qui résistera à l'achalandage piétonnier que vous prévoyez. Si vous avez des questions sur une application particulière, veuillez contacter un représentant NewAge Products avant de faire l'achat.

S'user à travers¹ : Est défini comme étant des dommages causés à la couche décorative en raison d'une utilisation domestique.

Une tache² : Est définie comme étant une décoloration permanente de la surface du revêtement de sol qu'il est impossible de nettoyer.

Remplacement et réparations

Dans l'éventualité où NewAge Products Inc. remplacerait tout revêtement de sol couvert en vertu de cette garantie, cette dernière demeure en vigueur en ce qui concerne le revêtement de sol pour la période limitée correspondant à la durée admissible restante de la garantie d'origine. Pendant la durée de la garantie, NewAge Products Inc. remplacera le revêtement de sol défectueux une fois par un nouveau matériau de revêtement de sol d'une couleur et d'un motif similaires pour remplacer la zone défectueuse. Il n'y aura aucune autre forme de compensation.

Si vous avez d'autres requêtes ou questions concernant les conditions de cette garantie, contactez le service à la clientèle de NewAge Products au 1 877 306-8930. NewAge Products a le droit de demander des images, une preuve ou des renseignements qui pourraient être requis pour s'assurer de la nature de toute réclamation en vertu de cette garantie. Si vous ne fournissez pas ces renseignements, votre réclamation pourrait être refusée.

Qu'est-ce que signifie Résistant à l'eau?

S'il est exposé à de l'eau, le revêtement de sol de luxe en composite de pierre NewAge ne gonflera pas et ne perdra pas son intégrité. Les accidents impliquant de l'eau doivent être nettoyés immédiatement et doivent suivre les étapes adéquates de soins et d'entretien indiquées. NewAge Products ne peut pas garantir que l'installation est résistante à l'eau dans des cas d'installations de plancher incorrectes et/ou d'erreurs humaines pendant l'installation des planchers.

Dans le cas d'une grande quantité d'eau stagnante ou d'une inondation, le revêtement de sol de luxe en composite de pierre NewAge ne fonctionnera pas comme une barrière pour le support de revêtement de sol ou pour toute autre structure environnante. Dans le cas d'une inondation où les supports de revêtement de sol et les structures environnantes sont endommagés, cela ne sera pas couvert par la garantie. Dans l'éventualité où de l'eau ou de l'humidité serait emprisonnée en dessous du plancher en raison d'un support de revêtement de sol ou d'une installation inadéquate, cela ne sera pas couvert par la garantie.

Qu'est-ce que signifie Résistant à la rayure?

Le revêtement de sol de luxe en composite de pierre NewAge est résistant aux rayures³ et entailles superficielles, ce qui le rend hautement durable pour un usage résidentiel et commercial. Le revêtement de sol de luxe en composite de pierre NewAge ne sera pas endommagé ou décoloré si les soins et l'entretien sont respectés. La garantie ne couvre pas les rayures causées intentionnellement ou en raison d'une manipulation négligente.

Rayures superficielles³ : se rapporte à des rayures qui ne traverseront pas la couche de protection et le motif imprimé.

Garantie (suite)

Qu'est-ce que signifie Résistant aux taches?

Le revêtement de sol NewAge Products ne se tachera pas s'il est exposé à des incidents, comme des déversements de produits de nettoyage ménagers, et des souillures d'animaux de compagnie et de produits consommables. Les incidents doivent être nettoyés immédiatement et doivent suivre les étapes adéquates de soins et entretien fournies. La garantie ne couvre pas la manipulation inadéquate et le manque de soins.

Qu'est-ce que signifie « Convient aux animaux de compagnie »?

Le revêtement de sol en composite de pierre NewAge ne dégage pas de substances chimiques nocives et peut résister aux tâches causées par des accidents. Les incidents doivent être nettoyés immédiatement et doivent suivre les étapes adéquates de soins et entretien fournies. La garantie ne couvre pas la manipulation inadéquate et le manque de soins. Les rayures causées par des animaux de compagnie ne seront pas couvertes par cette garantie.

Qu'est-ce que signifie « Aucune acclimatation nécessaire »?

Le revêtement de plancher de luxe en composite de pierre NewAge est résistant et ne nécessite pas d'acclimatation de 24 à 48 heures avant l'installation.

Exclusions

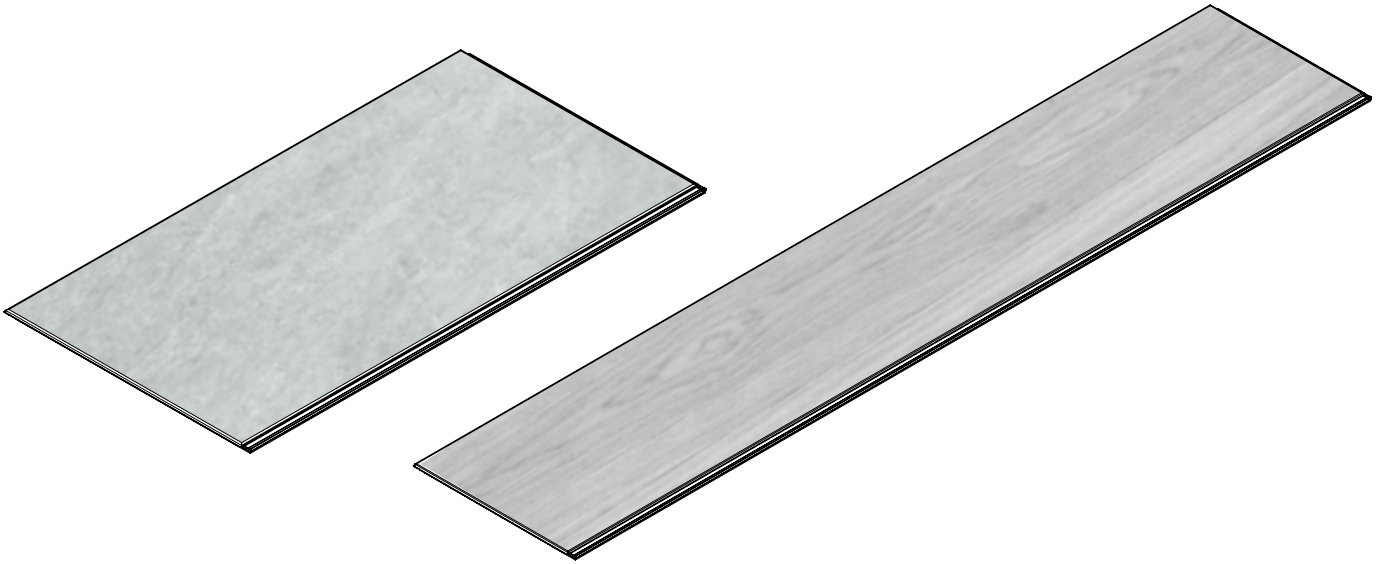
Ce qui suit n'est pas couvert par cette garantie :

- Les différences mineures de teinte, de couleur ou de texture entre les échantillons, les photographies et les produits livrés.
- Les dommages causés par des causes naturelles ou une force majeure, comme un incendie ou une inondation.
- Les dommages causés par un abus intentionnel, un manque d'entretien, des brûlures, un incendie, des déversements de produits chimiques forts, une construction ou une installation.
- Les dommages causés par une barre de battage d'aspirateur, des charges roulantes inadéquates, des charges inadéquates sur des roulettes, des chaises ou d'autres meubles sans la protection adéquate pour le revêtement de sol. Lors du déplacement de meubles ou d'appareils, assurez-vous que vos planchers sont protégés contre les rayures et les déchirures.
- Les dommages causés pendant l'installation - y compris une installation défectueuse des planchers et ne respectant pas les instructions d'installation.
- Les dommages causés par l'humidité à la structure environnante, comme les murs, les supports de revêtement de sol, les luminaires, les sous-couches, les moulures, les garnitures, les éléments de chauffage de support de revêtement de sol ou n'importe quoi qui n'offre pas d'intégrité ou de stabilité structurale aux planchers en composite de pierre NewAge.
- Les changements de couleur ou de lustre dus à l'utilisation de tapis dont l'endos est en caoutchouc ou en latex.
- Si le revêtement de sol est vendu « tel quel » sans garantie.
- Un revêtement de sol installé à l'extérieur. Le revêtement de sol de luxe en composite de pierre NewAge n'a pas été conçu pour être installé à l'extérieur.
- Une installation inadéquate des produits et des activités d'utilisateur final inadéquates, y compris ne pas observer les instructions de soins et entretien ou d'installation fournies.

Garantie (suite)

- Une perte de lustre avec le temps qui est cohérente avec une usure et une détérioration normales, et qui n'est pas un vice du produit.
- Des **rayures superficielles³** avec le temps qui représente une usure et une détérioration normales, et qui ne sont pas des vices du produit.
- Des rayures ou des entailles causées par des accidents.
- Des vices évidents après l'installation. Le client a la responsabilité d'inspecter tous les produits avant l'installation.
- Le revêtement de sol en composite de pierre NewAge a été conçu pour résister aux zones de forte circulation, y compris les garages. Une décoloration peut cependant tout de même se produire.

Rayures superficielles³: se rapporte à des rayures qui ne traverseront pas la couche de protection et le motif imprimé.



Pisos de garaje compuestos de piedra NewAge

Guía de instalación



PRECAUCIÓN: ¿Su piso está dañado?
¿Necesita ayuda o repuestos? Para un servicio más rápido,
póngase en contacto con NewAge Products llamando al
1-877-306-8930;
o escriba a support@newageproducts.com
No devuelva los productos al minorista.

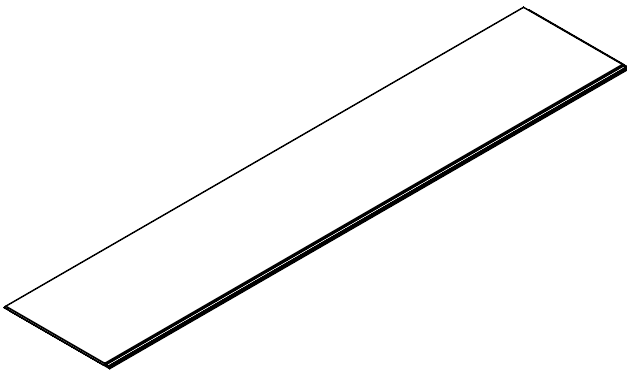
Índice

<u>Información general - 3</u>
<u>Especificaciones de los productos - 3</u>
<u>Accesorios de garaje disponibles - 4</u>
<u>Herramientas necesarias - 5</u>
<u>Precauciones - 6</u>
<u>Aclimatación - 6</u>
<u>Espacio de dilatación - 6</u>
<u>Cuchillas recomendadas - 6</u>
<u>Método de corte recomendado - 7</u>
<u>Preparación general del contrapiso - 8</u>
<u>Contrapisos de concreto - 8</u>
<u>Calefacción radiante - 9</u>
<u>Preparación del rodapié y del cuarto bocel - 10</u>
<u>Consejos de instalación - 11</u>
<u>Empezar - 12</u>
<u>Disposición de la instalación del piso - 12</u>
<u>Opciones de instalación - 13</u>
<u>Instalación del piso (mosaicos / tablones) - 14</u>
<u>Instalación de los listones de acabado plateado - 18</u>
<u>Instalación de los remates de piso de EPDM de 75 pies - 21</u>
<u>Instalación del umbral de la puerta del garaje - 25</u>
<u>Cuidado y mantenimiento - 28</u>
<u>Garantía - 29</u>

Información general

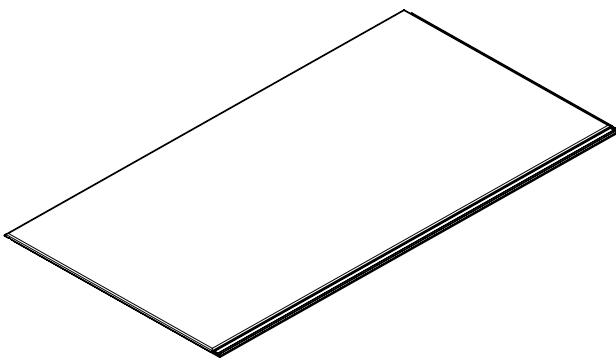
- Los pisos de vinil de lujo compuestos de piedra NewAge han sido diseñados para resistir su uso en garajes y espacios comerciales de tráfico intenso.
- Los pisos de vinil de lujo compuestos de piedra NewAge son pesados y deben levantarse con cuidado. Utilice técnicas de levantamiento adecuadas al manipular los productos.
- Para obtener los mejores resultados, mezcle e instale tablones / mosaicos de diferentes cajas para obtener la variación deseada.
- Los pisos NewAge han sido diseñados como un sistema de fácil colocación y fijación.

Especificaciones de los productos



Tablones de vinil de lujo compuestos de piedra

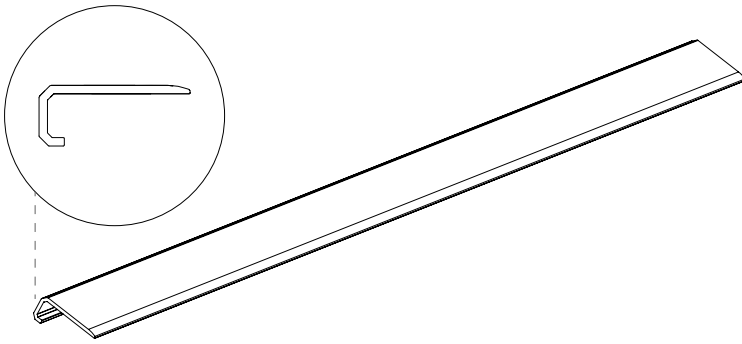
- Cada tablón de piso mide:
L 46 in x A 8.85 in x G 9.5 mm
- x 5 tablones de piso en una caja
- 14.15 pies² por caja



Mosaicos de vinil de lujo compuestos de piedra

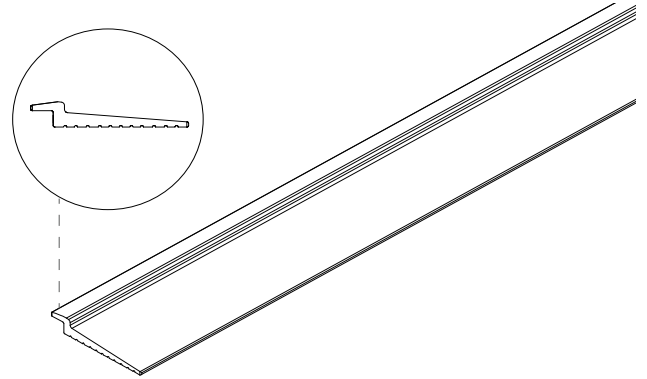
- Cada tablón de piso mide:
L 23 in x A 12 in x G 9.5 mm
- x 7 tablones de piso en una caja
- 13.44 pies² por caja

Accesorios de garaje disponibles



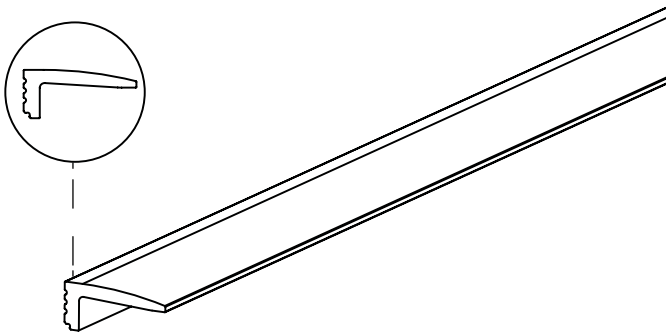
Listón de acabado plateado de 46" SKU: 12092

- Los listones de acabado plateado han sido diseñados para producir un acabado decorativo de los bordes como una alternativa al acabado tradicional de bordes, como el cuarto bocel.
- Acabado: Aluminio cepillado
- Dimensiones del producto:
L 46 in x A 0.5 in x Alt 1.0 in
- 10 listones de acabado por kit



Umbral de puerta de garaje de 20 pies SKU: 12090

- Con el umbral de puerta de garaje NewAge se obtiene un cierre ajustado que protege sus pisos y el espacio del garaje de la suciedad exterior.
- Dimensiones del producto:
L 240 in x A 3.5 in x Alt 0.6 in
- 1 umbral de puerta de garaje por kit.

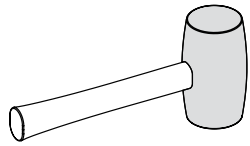


Remate para pisos de EPDM de 75 pies SKU: 12096

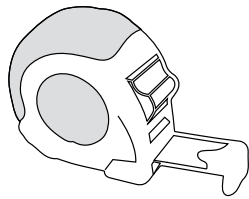
- Los listones de remate para pisos han sido diseñados para producir un acabado decorativo de los bordes como alternativa al acabado tradicional de bordes, como el cuarto bocel.
- Acabado: Caucho negro de EPDM
- Dimensiones del producto:
L 900 in x A 1.378 in x Alt 0.591 in
- 1 remate de acabado de garaje por kit

Herramientas necesarias

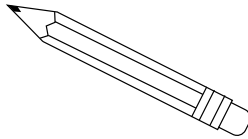
Herramientas recomendadas



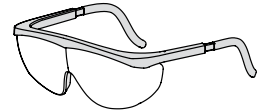
Mazo de goma



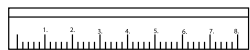
Cinta métrica



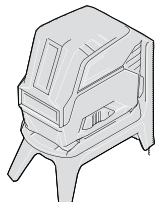
Lápiz



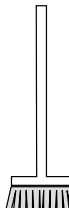
Gafas de seguridad



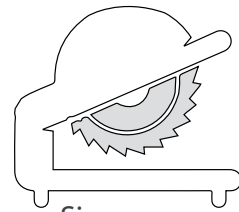
Regla



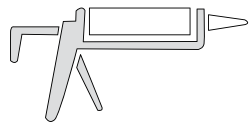
Nivel láser



Aspiradora /
Escoba



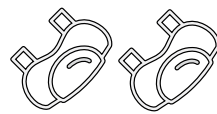
Sierra
ingletadora
compuesta



Sellador de silicona de
calidad comercial para
interiores /exteriores



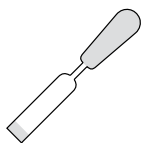
Mascarilla



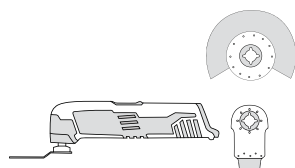
Protectores de
rodilla



Martillo

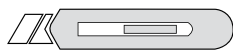


Cinzel

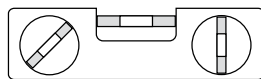


Multiherramienta
oscilante

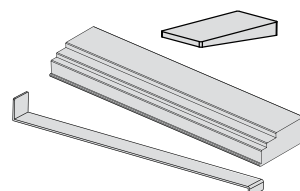
Herramientas alternativas



Cutter



Nivelador



Espaciadores, taco
para golpear y pesas

Precauciones

- No almacene las cajas de mosaicos y tablones para pisos sobre sus lados. Almacene todas las cajas en posición horizontal sobre el piso.
- No utilice herramientas de uso industrial diseñadas para pisos de otros materiales u otros sistemas de instalación.
- Los mosaicos y tablones de vinil de lujo NewAge son productos acabados. No utilice ningún acabado para pisos (ceras / abrillantadores).
- Los mosaicos y tablones de vinil de lujo NewAge están diseñados para colocarse únicamente mediante el método de instalación flotante. No pegue ni fije los mosaicos y los tablones directamente al suelo.
- Antes de comenzar la instalación, asegúrese de que todas las cajas contengan el producto correcto.
- Se recomienda instalar los pisos a plena luz del día para observar las posibles imperfecciones, defectos o daños. NewAge no se hará responsable de los costos relacionados con instalaciones o defectos visuales posteriores a la instalación.
- **Advertencia:** No utilice llantas con clavos sobre el piso compuesto de piedra NewAge.

Aclimatación

- Aunque la aclimatación no es necesaria, para obtener mejores resultados el piso podría aclimatarse entre 24 y 48 horas en el entorno en que se desee instalar antes de abrir las cajas.
- Se recomienda instalar los pisos cuando la temperatura de la habitación sea de al menos de 5°C (41°F) a 24°C (75.2°F).

Espacio de dilatación

- Siga meticulosamente las instrucciones que aparecen en la [página 13](#) “**Opciones de instalación**”.

Discos recomendados

Sierra ingletadora compuesta

- **Pisos NewAge:** Disco con punta de carburo de 100 dientes para cortes finos
- **Umbral de la puerta del garaje NewAge:** Disco con punta de carburo de 100 dientes para cortes finos
- **Listones de acabado plateado de 46” NewAge:** Disco de sierra de aluminio de 100 dientes con punta de carburo

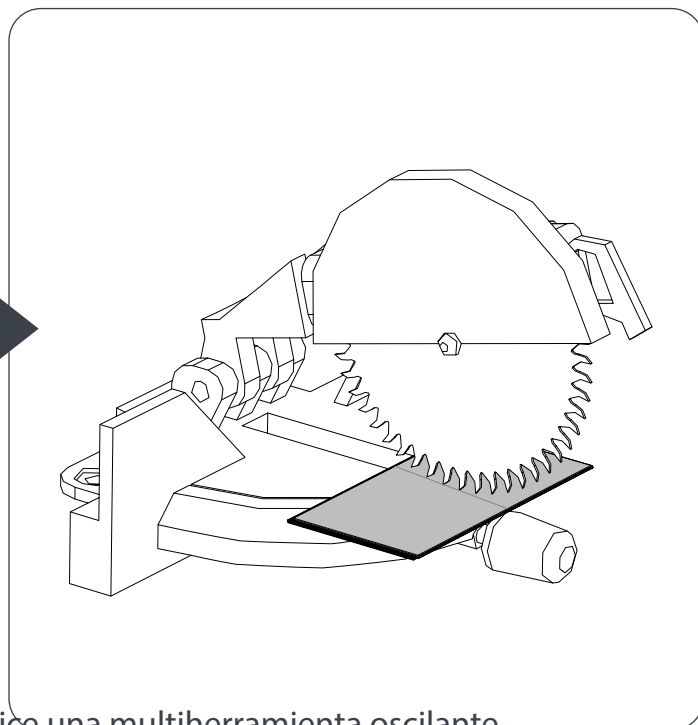
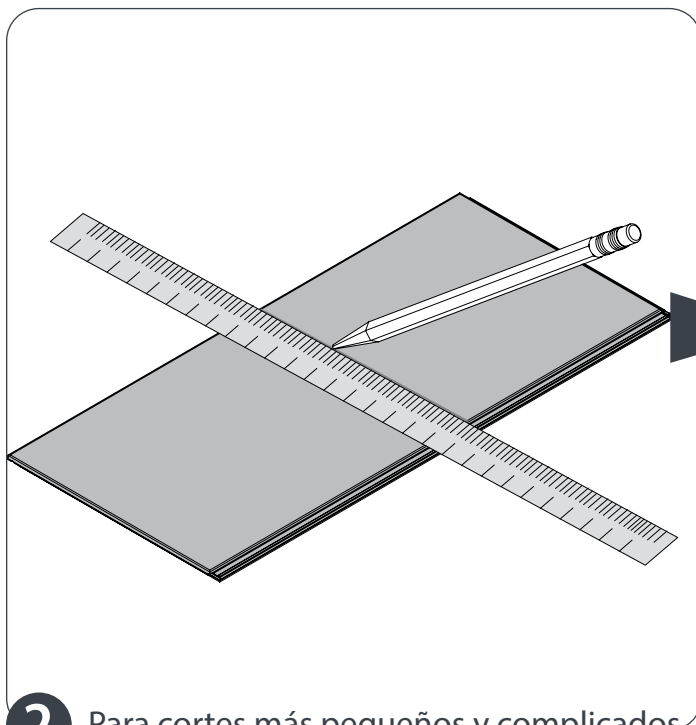
Multiherramienta oscilante

- **Pisos NewAge:** Discos de corte final de acero al carbono
- **Umbral de puerta de garaje NewAge/ Remate para pisos de EPDM de 75 pies:** Discos de corte final de acero al carbono
- **Listón de acabado plateado de 46” NewAge:** Un Disco de sierra bimetálica semicircular

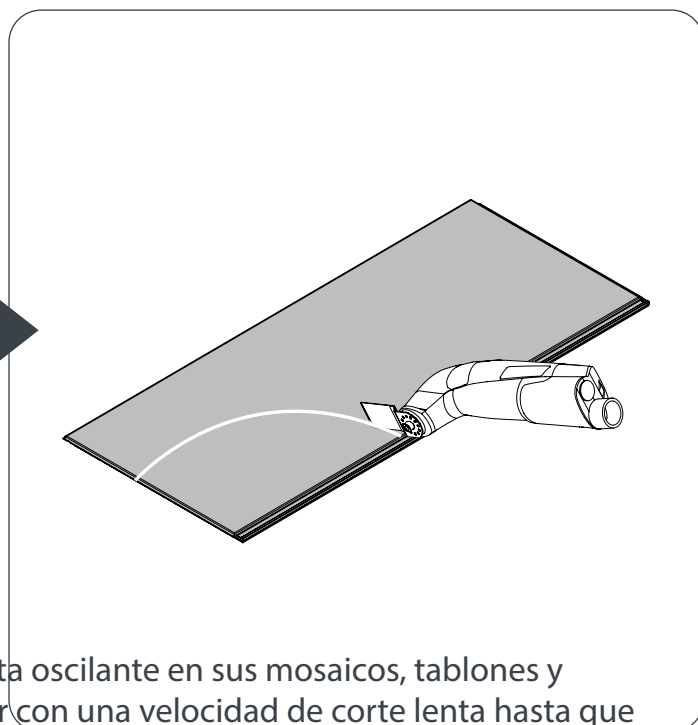
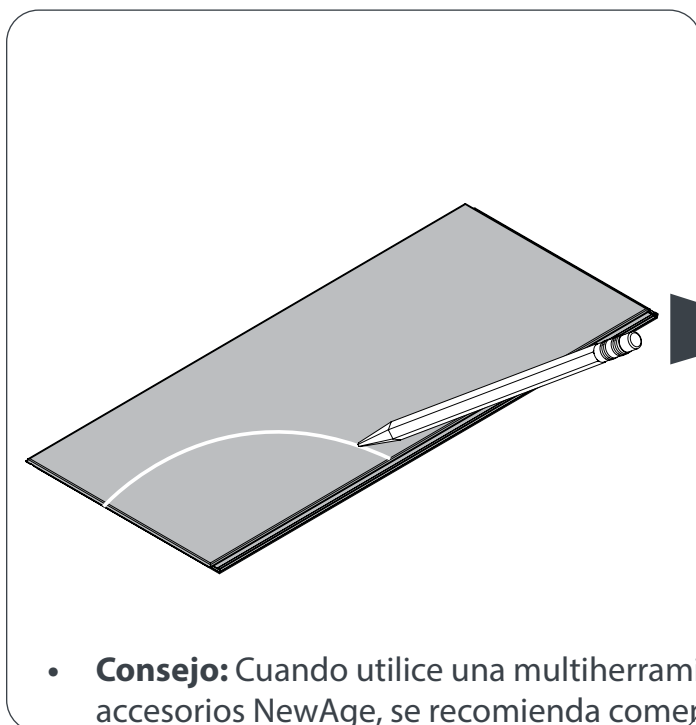
Métodos de corte recomendados

Advertencia: Asegúrese de usar una mascarilla y gafas de seguridad para protegerse del polvo cuando corta mosaicos, tablonos y accesorios para pisos.

1 Para grandes cortes simples y rectos, utilice una sierra ingletadora compuesta.



2 Para cortes más pequeños y complicados, utilice una multiherramienta oscilante.

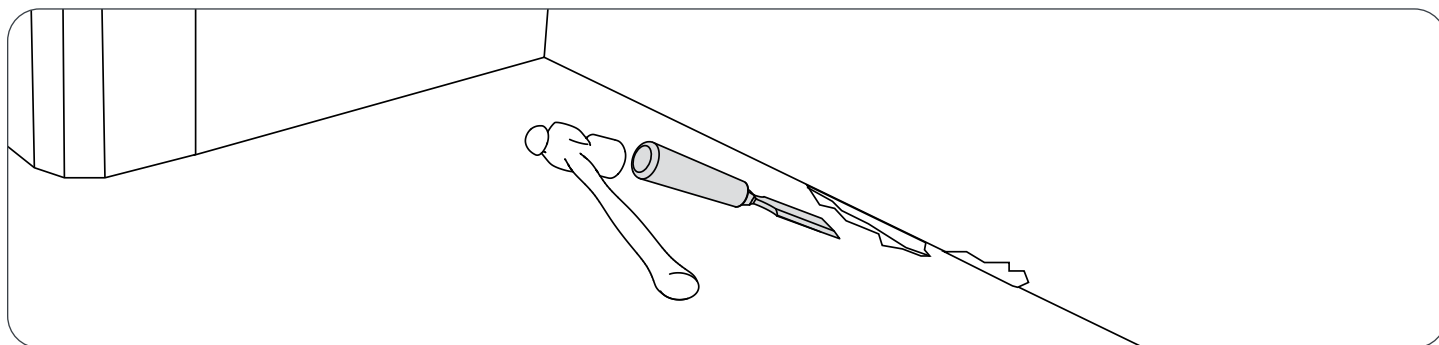


- **Consejo:** Cuando utilice una multiherramienta oscilante en sus mosaicos, tablonos y accesorios NewAge, se recomienda comenzar con una velocidad de corte lenta hasta que se sienta cómodo para cortar a una velocidad más rápida. Esto le permitiría tener un mayor control y evitar cualquier error.

Preparación general del contrapiso

Preparación de su espacio - Generalidades

- La preparación correcta de los contrapisos es muy importante para una instalación adecuada. Los pisos compuestos de piedra NewAge exigen un método de instalación de "piso flotante", que puede manejar pequeñas imperfecciones del piso. Si sus contrapisos presentan grandes huecos o protuberancias, el piso compuesto de piedra NewAge no podrá cubrirlos.
- No es conveniente instalar el piso NewAge sobre una alfombra. Antes de la instalación, se debe retirar cualquier alfombra, así como las guías de esta.
- Antes de instalar sus pisos, utilice una aspiradora para eliminar completamente el polvo y los residuos.
- Antes de instalar el piso NewAge, asegúrese de que la superficie sea estructuralmente sólida y plana y que esté limpia y seca. Si sus pisos están mojados, espere a que estén completamente secos antes de proceder a la instalación.
- Si existe una calefacción eléctrica de rodapié, deje un espacio de al menos 0,5" entre la superficie del piso y la parte inferior del elemento calefactor para que el calor circule adecuadamente.
- La planicidad del contrapiso no debe ser superior a 3/16" por cada 10 pies (4.7 mm por cada 3 m de radio). Los contrapisos deben nivelarse antes de comenzar la instalación de los mosaicos y tablones compuestos de piedra NewAge.
- Cincele cualquier superficie irregular en el piso antes de iniciar su instalación.



Contrapisos de concreto

- Asegúrese de que todas las superficies estén secas, limpias y libres de polvo, cera, disolventes, pintura, grasa, aceites y restos de pegamento.
- Lije o esmerile las zonas que sobresalgan.
- Los huecos y agujeros deben rellenarse con concreto y acabarse con una regla recta para igualar el piso.
- Es importante comprobar el nivel de humedad antes de comenzar la instalación. Con un medidor de humedad para concreto, la tasa de emisión de vapor de humedad no debe superar las 5 libras por cada 1000 pies² en 24 horas. Si se realizan pruebas de sondeo *in situ*, según la norma ASTM F2170, el valor resultante no debe superar el 85%. Estas pruebas no predicen el estado de sus pisos a largo plazo y solo indican el estado de sus pisos en el momento en que se realiza la prueba.

Nota: Si ha realizado trabajos con concreto en el espacio en que desea instalar el piso, los contrapisos deben curarse adecuadamente y dejarse secar durante al menos 60 días antes de instalar el piso compuesto de piedra NewAge.

Preparación general del contrapiso

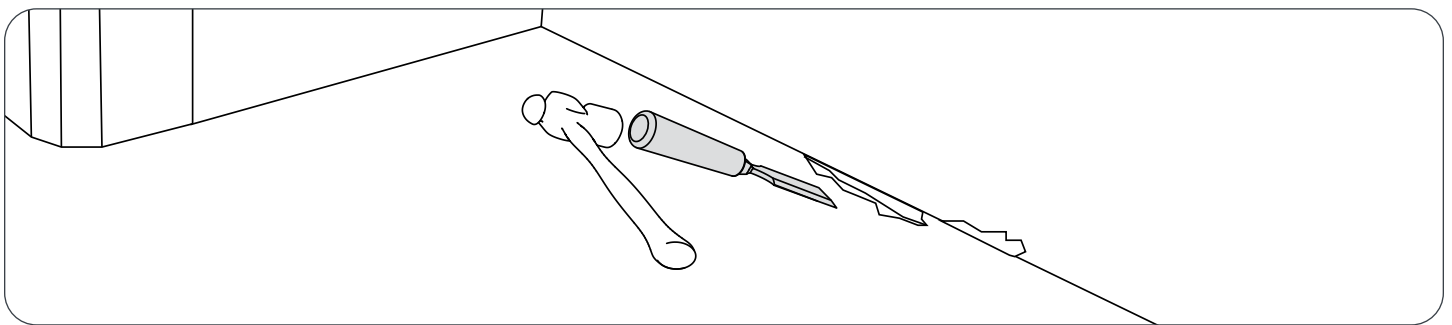
Calefacción radiante

- Los pisos compuestos de piedra NewAge son adecuados para instalarse sobre sistemas de calefacción radiante siempre y cuando el elemento calefactor no esté en contacto directo con el piso. Deje un espacio de al menos 1/2" entre los pisos y los sistemas de calor radiante.
- Si la calefacción radiante ha sido instalada recientemente, deje el sistema encendido y en operación durante al menos 2 semanas antes de la instalación. Esto reduciría los niveles de humedad en el concreto.
- Apague el sistema de calefacción durante 24 horas antes y después de la instalación del piso compuesto de piedra NewAge.
- Se recomienda que la temperatura de la habitación en que desea colocar el piso esté entre 5°C (41°F) y 24°C (75.2°F) antes de la instalación. Es posible que tenga que utilizar otros métodos de calefacción antes de la instalación.

Preparación del rodapié y del cuarto bocel

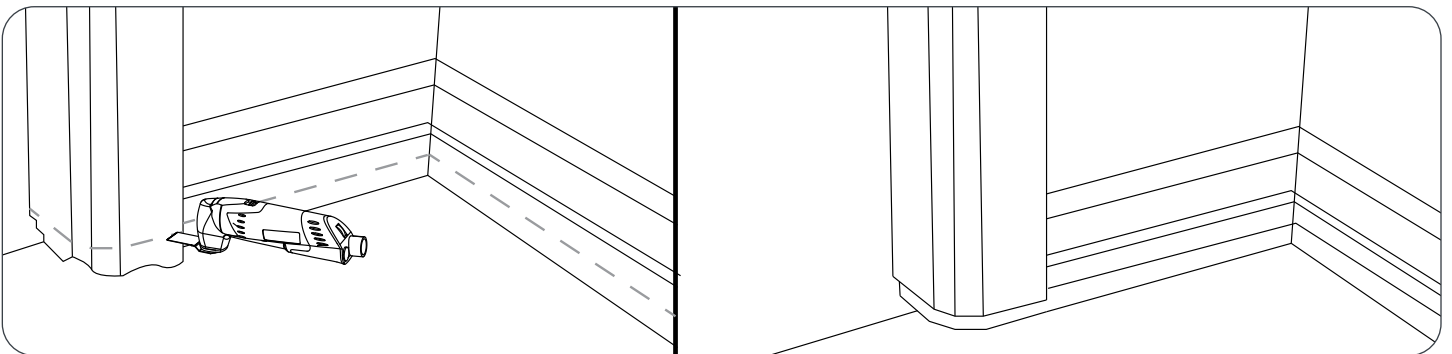
Opción 1: Instalación del piso interior antes de los rodapiés y los cuartos bocel.

- Si hay rodapiés preinstalados que necesiten reemplazarse, retírelos, así como los cuartos bocel viejos.
- Si es necesario instalar nuevos rodapiés y cuartos bocel, instale estos elementos una vez terminada la colocación de los pisos.
- Cincele cualquier superficie irregular en el piso y la pared antes de comenzar la instalación.
- Asegúrese de terminar completamente la preparación general del espacio antes de comenzar la instalación. Referencia [página 8](#).
- Asegúrese de cumplir con los requisitos del contrapiso de concreto o del contrapiso de calefacción radiante. Referencia [página 8-9](#).



Opción 2: Instalación de pisos interiores con rodapiés y cuartos bocel preinstalados.

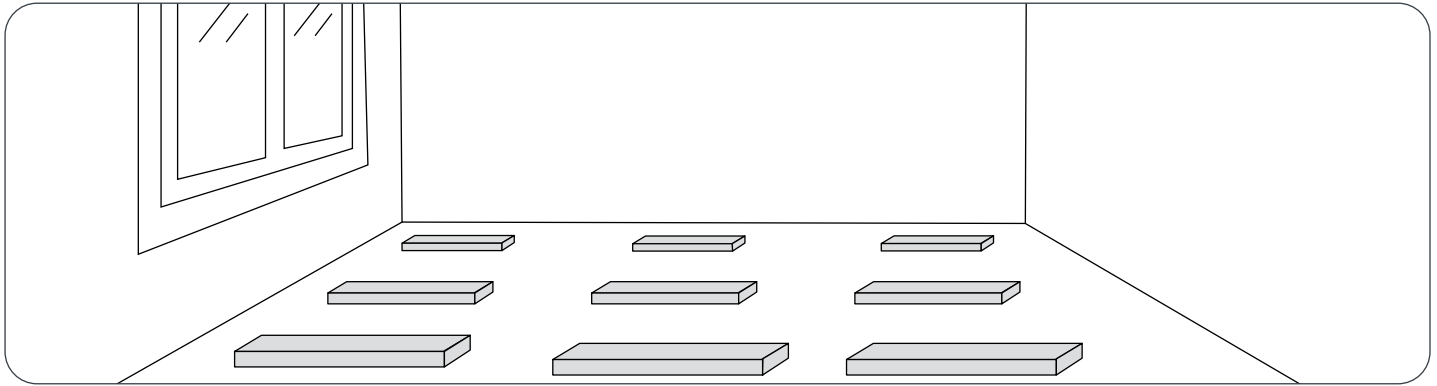
- El piso compuesto de piedra NewAge no puede instalarse con cuartos bocel preinstalados. Es necesario retirar todos los cuartos bocel antes de comenzar la instalación.
- Una vez que se hayan retirado todos los cuartos bocel, corte aproximadamente 11 mm de la parte inferior de sus rodapiés para tener suficiente espacio para los tablonces o mosaicos del piso de 9.5 mm.



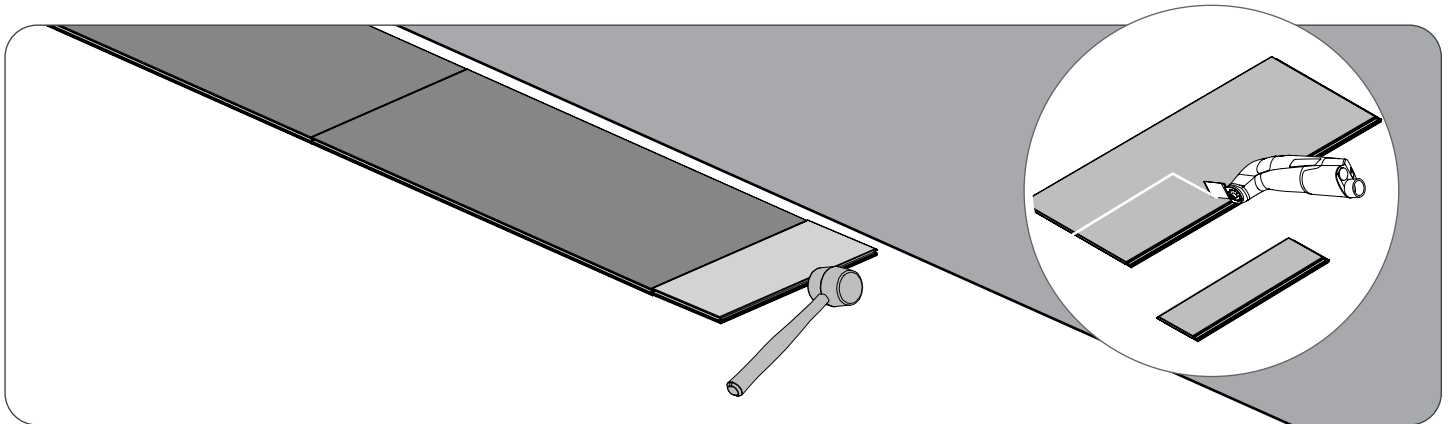
- **Nota:** Si el piso anterior es más grueso que los nuevos pisos de vinil de lujo, es posible que tenga que comprar un nuevo marco de puerta o un bloque de plinto.
- Los cuartos bocel deberán instalarse después de que el piso esté completamente colocado.
- Asegúrese de concluir la preparación general del espacio antes de comenzar la instalación. Referencia [página 8](#).
- Asegúrese de cumplir con los requisitos aplicables a los contrapisos de concreto o a los contrapisos de calefacción radiante. Referencia [páginas 8-9](#).

Consejos de instalación

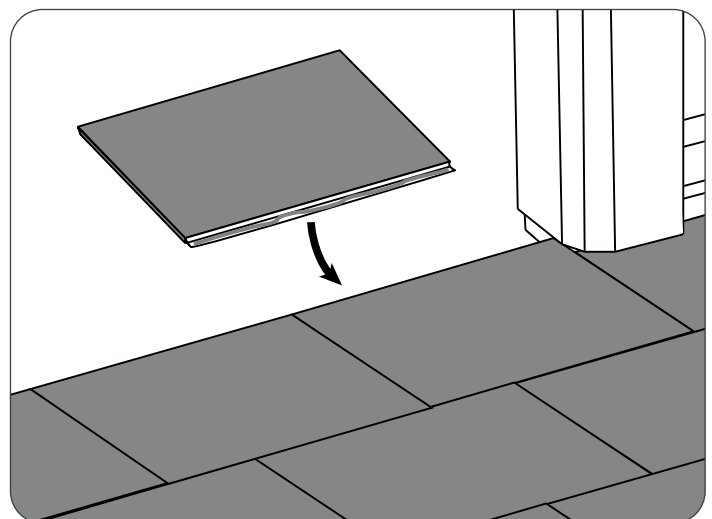
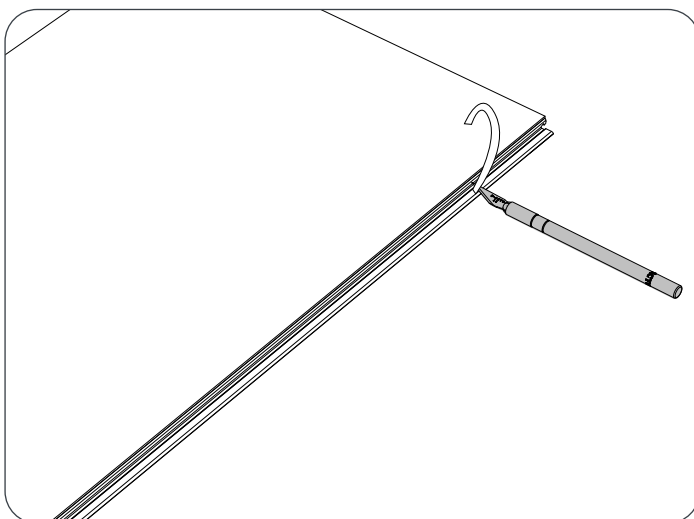
CONSEJO - 1: Para facilitar y agilizar la instalación, coloque las cajas de tablonos o mosaicos a igual distancia sobre sus pisos. Esto le permitirá planificar mejor su instalación.



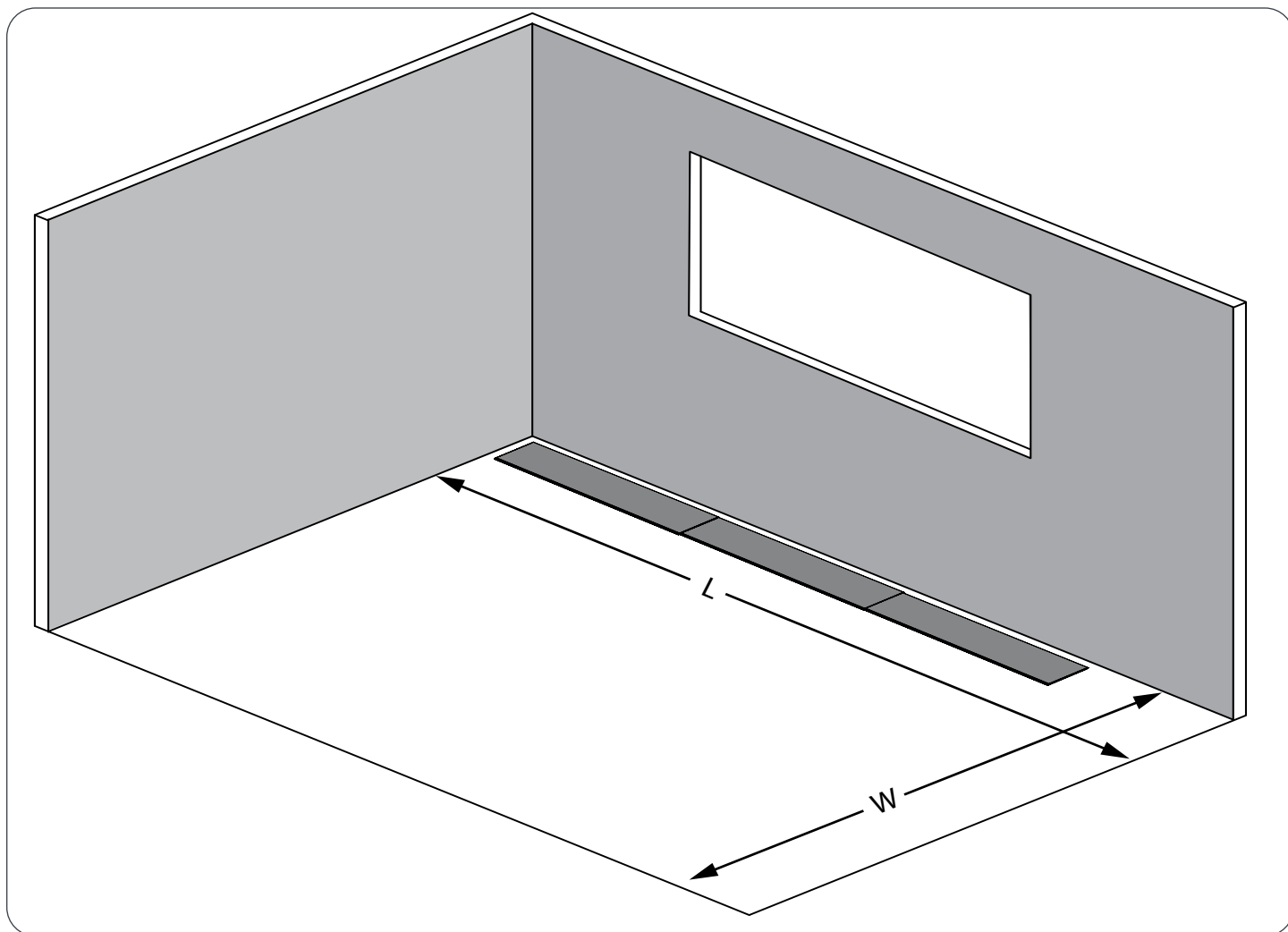
CONSEJO - 2: Corte un pedazo de mosaico o tablón y utilícelo como taco para golpear.



CONSEJO - 3: Cuando se instala el piso alrededor de las molduras de las puertas y resulta difícil utilizar los perfiles de bloqueo de clic, retire la sección superior del perfil de bloqueo de clic para poder deslizar el tablón o el mosaico bajo el piso instalado. Aplique la silicona recomendada en la [página 5](#), a lo largo del perfil de bloqueo de clic y deslícela bajo el piso instalado. Asegúrese de limpiar el exceso de pegamento y de que el que haya utilizado se seque y adquiera un color claro.



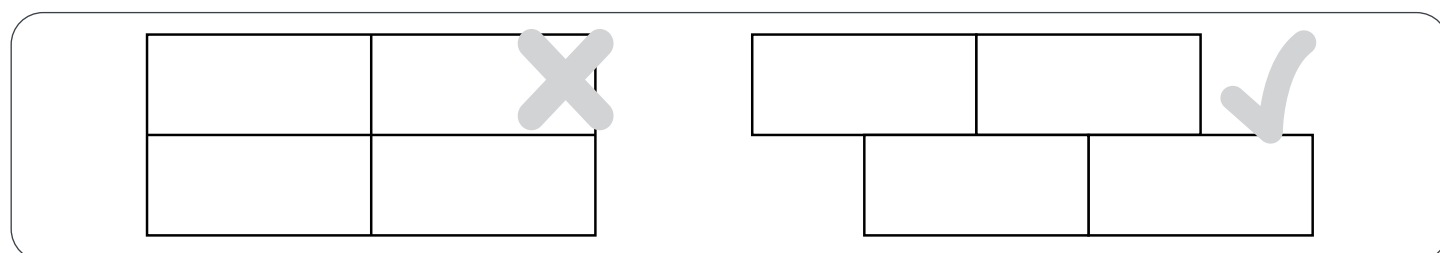
Empezar



- Para determinar el número de filas de mosaicos / tablones necesarios, mida el ancho de la habitación y el ancho de los tablones o mosaicos.
- Divida el ancho de la habitación por el ancho de los tablones o mosaicos para obtener el número de filas necesarias.
- Si la última fila es inferior al ancho de un mosaico o tablón completo, corte la primera fila de tal manera que la primera y la última tengan un ancho uniforme.

Disposición de la instalación del piso

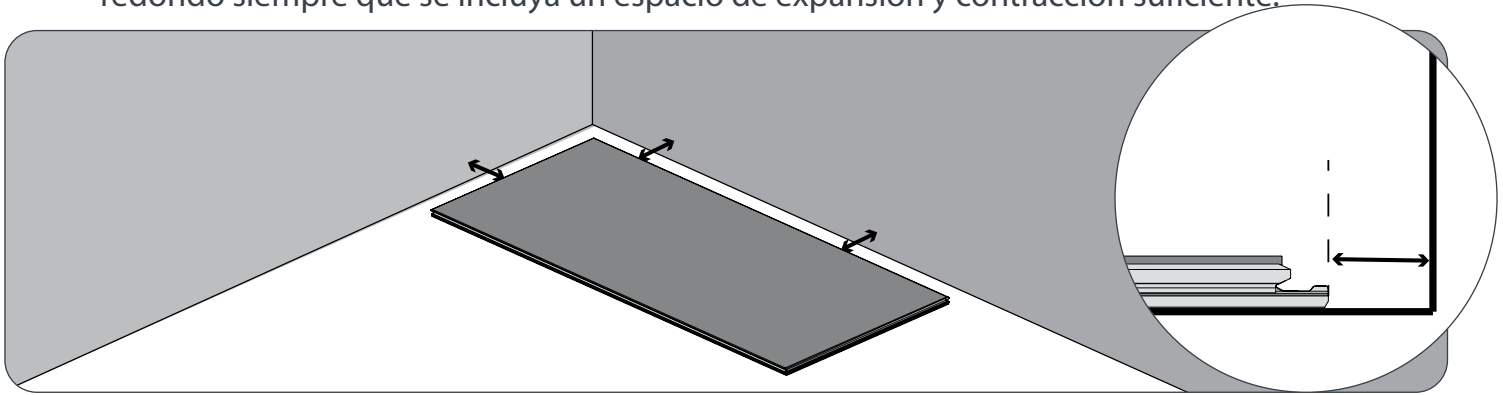
- Se recomienda colocar el lado largo de los tablones o mosaicos paralelamente con respecto a la pared más larga o a la ventana principal de la habitación.
- Al instalar los pisos, alterne los mosaicos / tablones para lograr una instalación segura.



Opciones de instalación

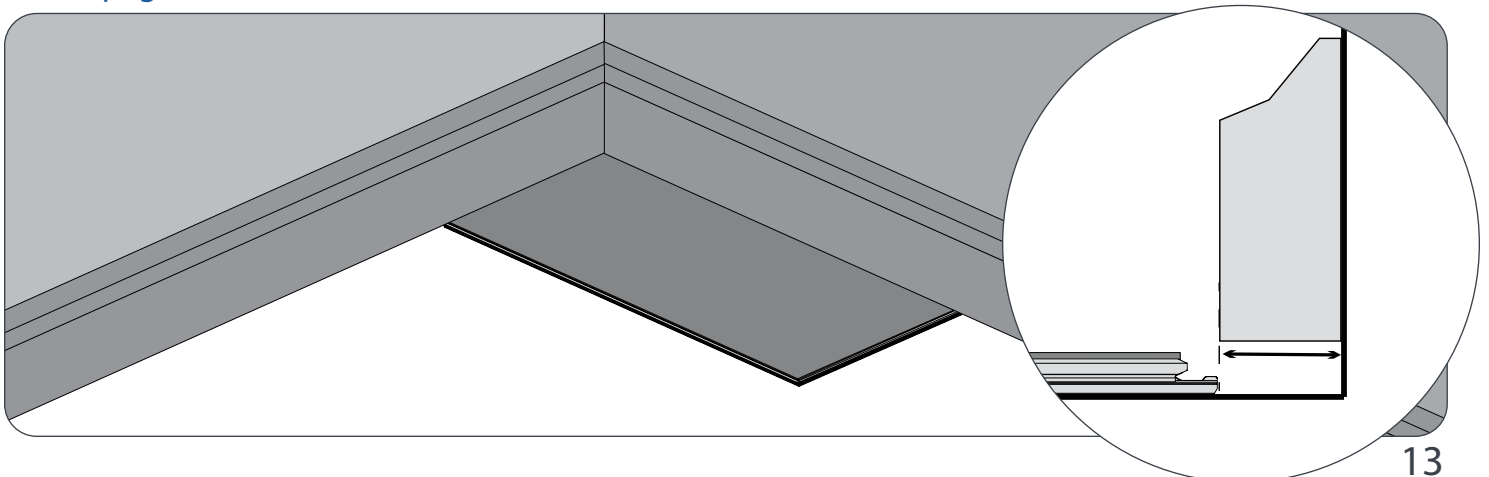
Opción 1: Instalación de pisos de garaje NewAge únicamente

- Asegúrese de haber seguido los pasos recomendados en la [página 10](#).
- Para la dilatación y la contracción, se recomienda calcular el 0,25% de la anchura más larga.
- Ejemplo: Plaza de garaje de 10 pies de ancho x 4 pies de largo.
10 pies = 120 pulgadas
120 pulgadas multiplicadas por 0,25% = 0,3 pulgadas divididas por 2 (para las paredes de la izquierda y la derecha) = 0,15 pulgadas de espacio de expansión y contracción desde todos los lados.
- Utilizando el ejemplo anterior, calcule el espacio de expansión y contracción necesario. Marque el perímetro de la sala para asegurarse de que se deja el espacio correcto.
- El espacio calculado es suficiente para instalar las tiras de acabado de plata al final. Lea las instrucciones para instalar las tiras de acabado de plata en [página 18-20](#) antes de empezar.
- Si se instala la moldura final de EPDM de 75 pies, tome en cuenta un espacio adicional de 0,2 pulgadas / 5 mm además del espacio de expansión calculado. De este modo, se adaptará al grosor del material del accesorio.
- Los clientes tienen la opción de instalar sus propios tiras de acabado, rodapiés y cuartos de redondo siempre que se incluya un espacio de expansión y contracción suficiente.



Opción 2: Instalación de pisos de garaje NewAge con rodapiés preinstalados

- Asegúrese de haber seguido los pasos que se recomiendan en la [página 10](#).
- Una vez preparado el espacio y retirados todos los cuartos bocel, alinee el mosaico o el tablón a lo largo del borde del rodapié.
- Esto deberá permanecer igual a lo largo del perímetro de la habitación.
- Los cuartos bocel se instalarán una vez finalizada la instalación del piso.
- El espacio de expansión y contracción deberá coincidir con la descripción de la opción 1, [página 13](#).



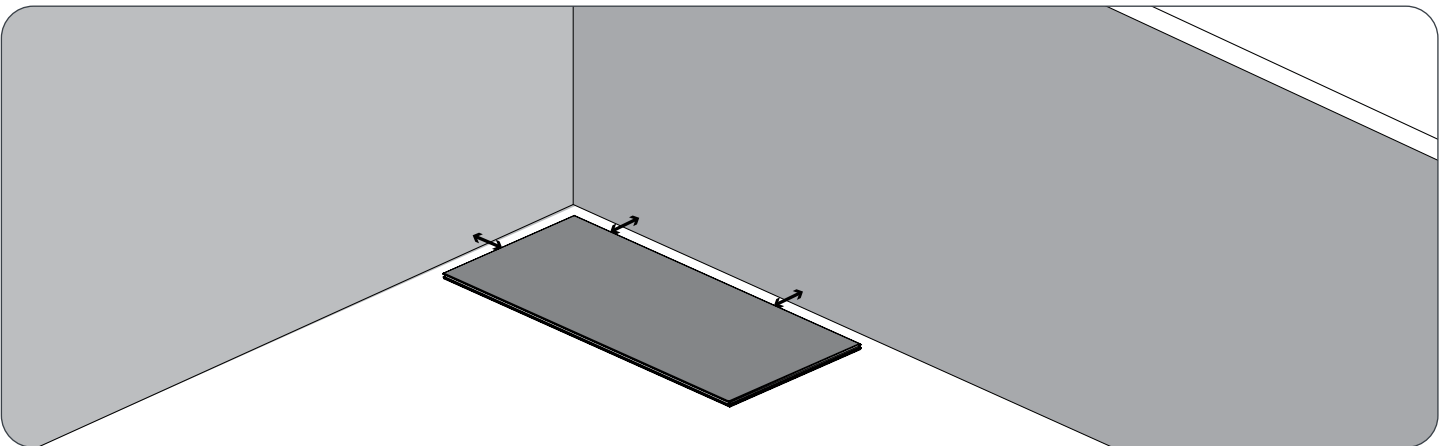
Instalación del piso (mosaicos / tablones)

Nota: La disposición de la instalación de los mosaicos de piedra y los tablones de madera es la misma.

Piezas necesarias

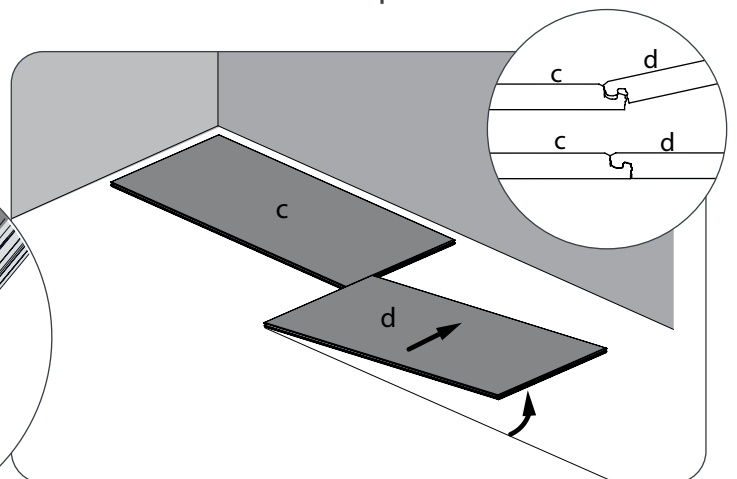
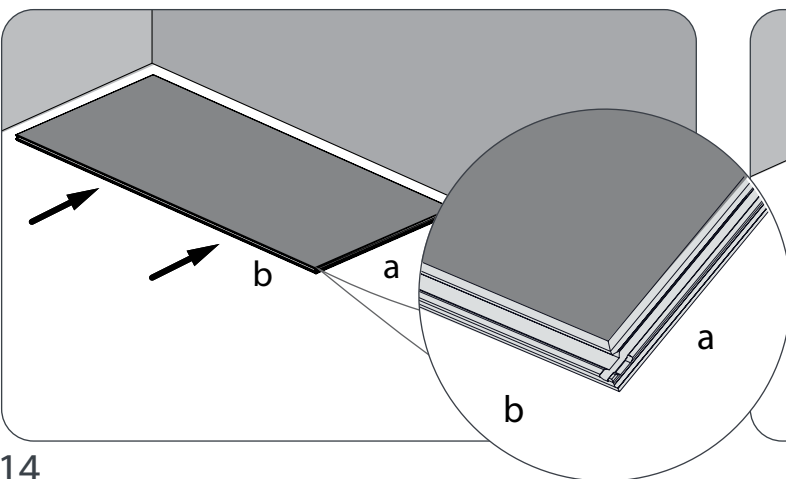


- 1** Asegúrese de haber seguido la preparación del espacio recomendada y de haber leído las distintas opciones de instalación en las [páginas 12-13](#). Asegúrese de que ha medido el espacio de expansión correcto.



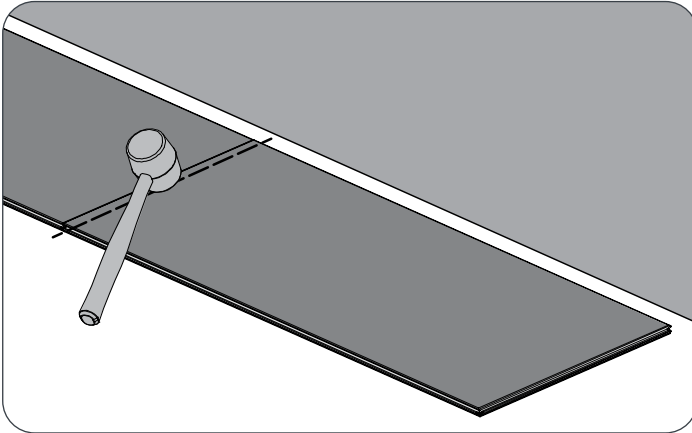
- 2** Asegúrese de que los perfiles de bloqueo de clic abiertos del primer mosaico estén en la parte inferior y a la derecha separados las paredes.

- 3** Coloque el segundo mosaico, en un ligero ángulo, contra el primer mosaico. Deslice el mosaico hasta su posición.

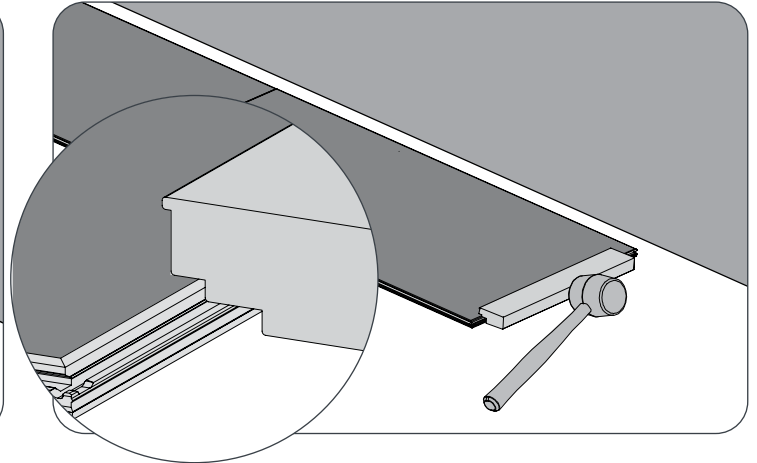


Instalación del piso (mosaicos / tablones)

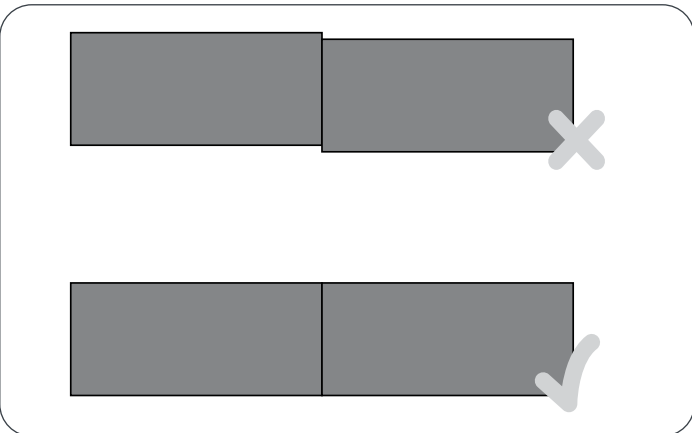
- 4** Con un mazo de goma, golpee a lo largo del perfil de bloqueo de clic de caída con una fuerza media para asegurar una unión ajustada.



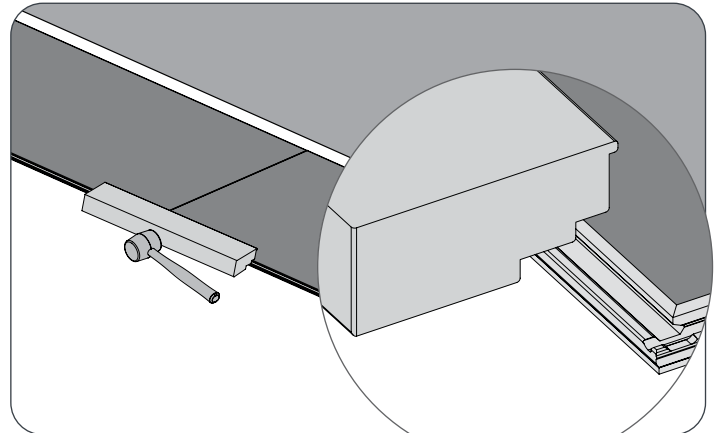
- 5** Coloque el taco para golpear a lo largo del perfil de bloqueo de clic abierto del borde corto y golpee sobre él con un mazo de goma. Con esto se asegura una instalación ajustada.



- 6** Asegúrese de que los bordes están perfectamente alineados.

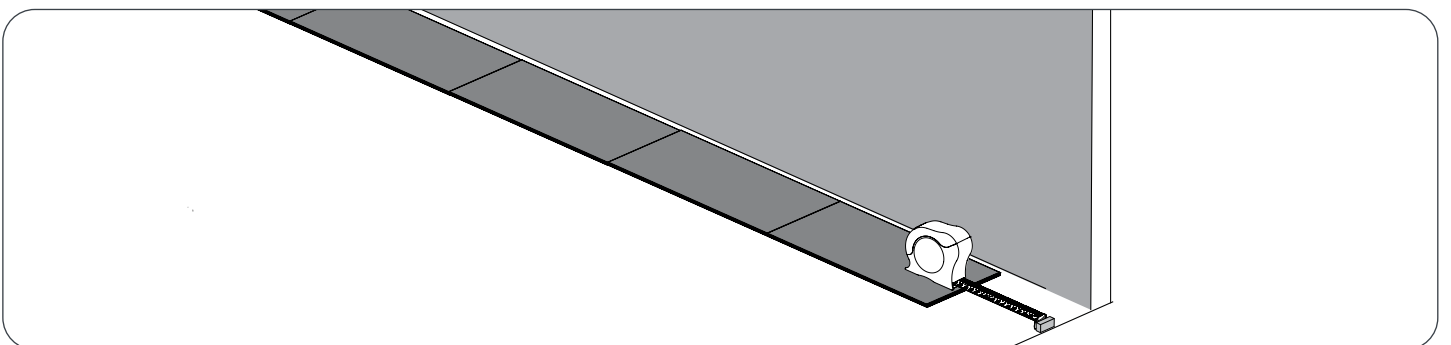


- 7** Coloque el taco para golpear en el perfil de clic abierto del borde largo y golpee sobre él con un mazo de goma para alinear los mosaicos.



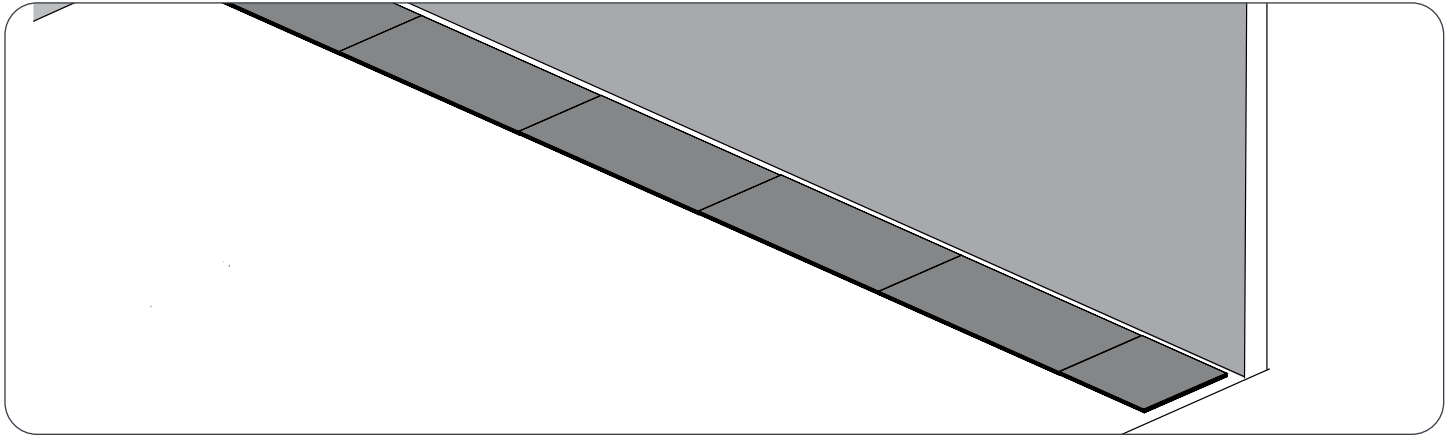
- 8** Siga los pasos 1 a 7 en las demás filas de mosaicos. Con una cinta métrica, mida el espacio que queda para el último mosaico.

- 9** Corte el mosaico a la longitud deseada. Consulte la [página 7](#) para saber cuál es el "Método de corte recomendado". Nota: Asegúrese de que haya una distancia adecuada desde la pared en función de su instalación preferida.



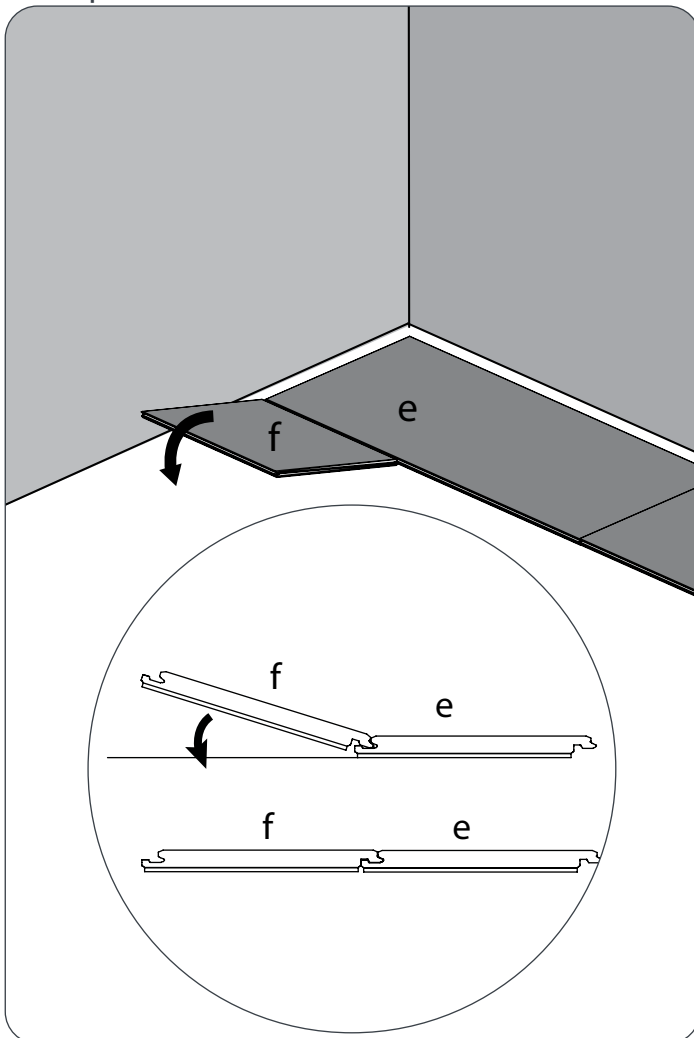
Instalación del piso (mosaicos / tablones)

10 Instale el último mosaico de la primera fila.

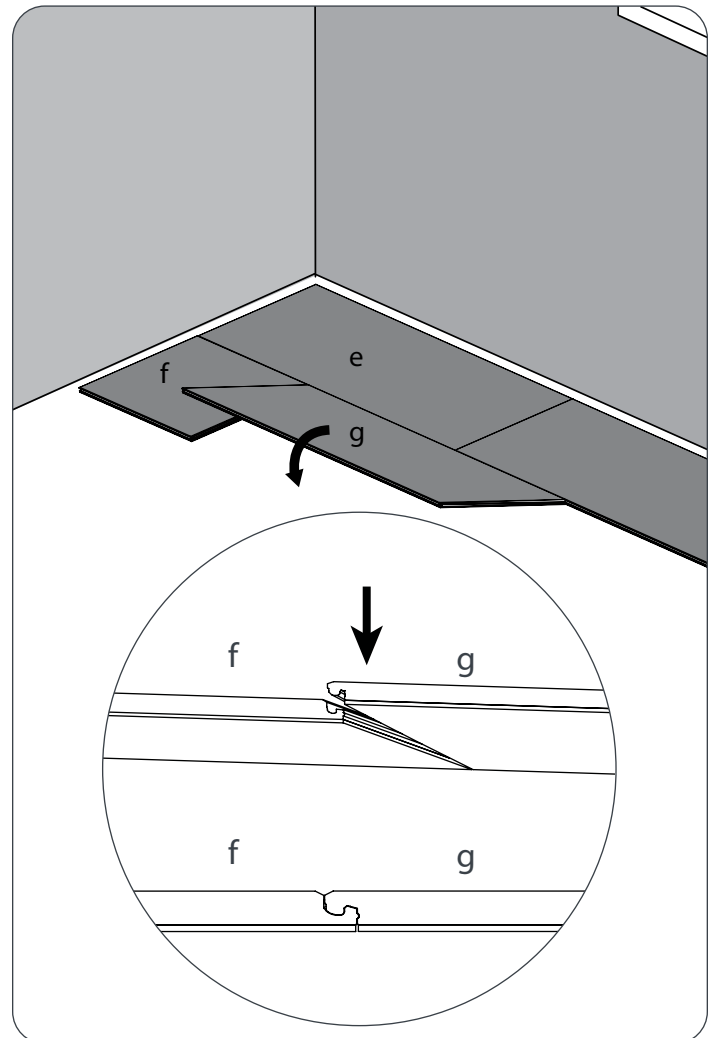


Nota: Al comenzar la segunda fila, corte el primer mosaico por la mitad o utilice el sobrante de la primera fila.

11 Coloque su mosaico en un ángulo a lo largo del borde largo de la primera fila y libérela en su lugar. Repita los pasos 4 a 7 para cada mosaico.

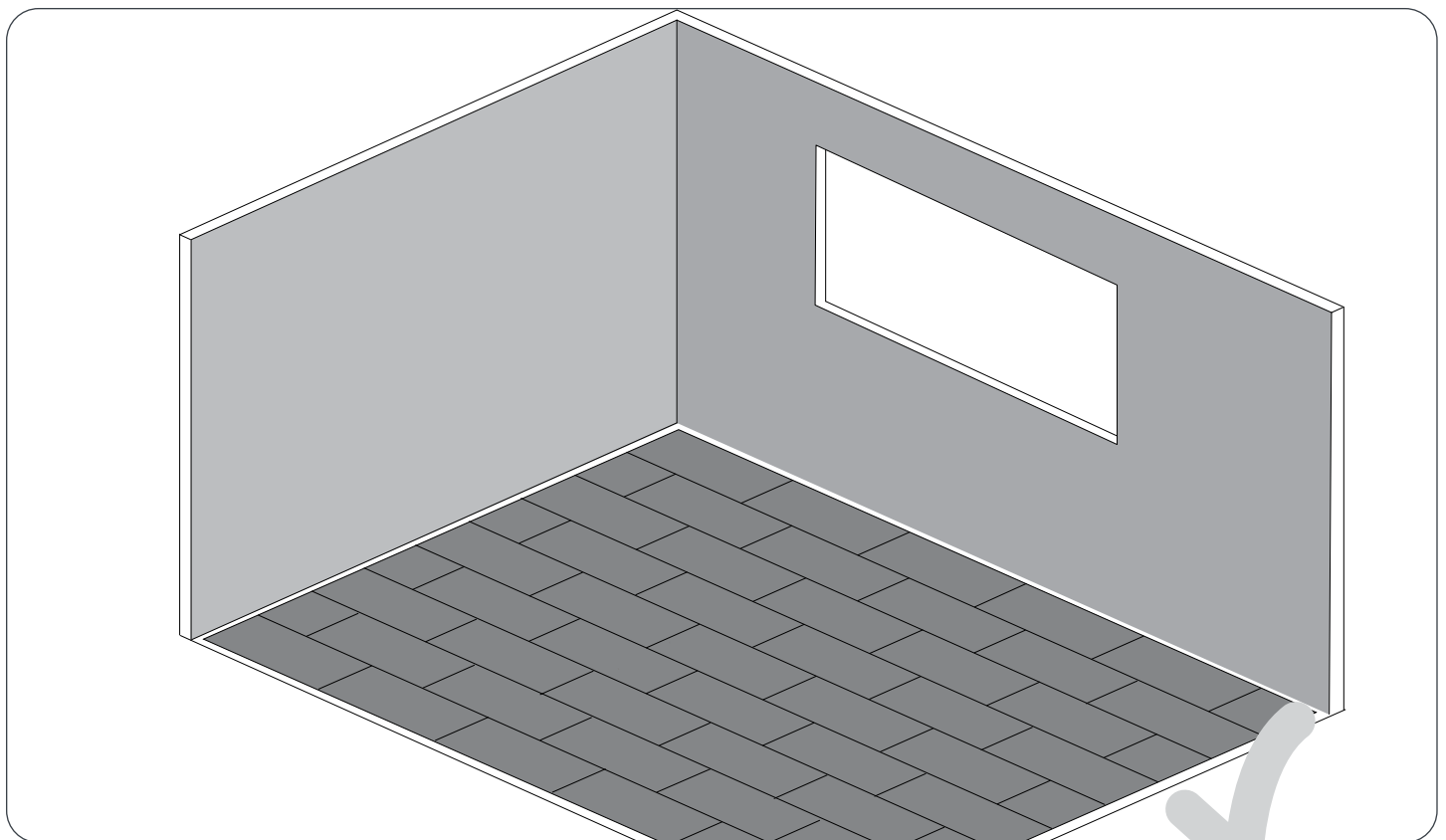
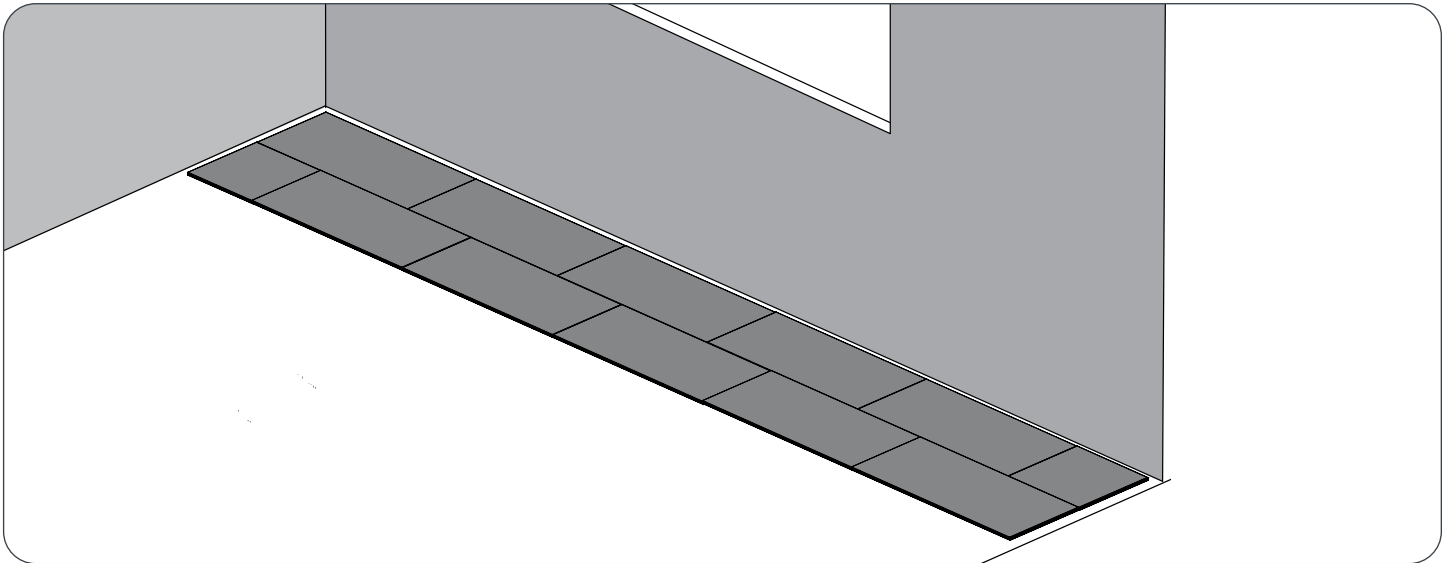


12 Coloque su segundo mosaico en un ángulo a lo largo del borde largo de la primera fila y libérela en su lugar.



Instalación del piso (mosaicos / tablones)

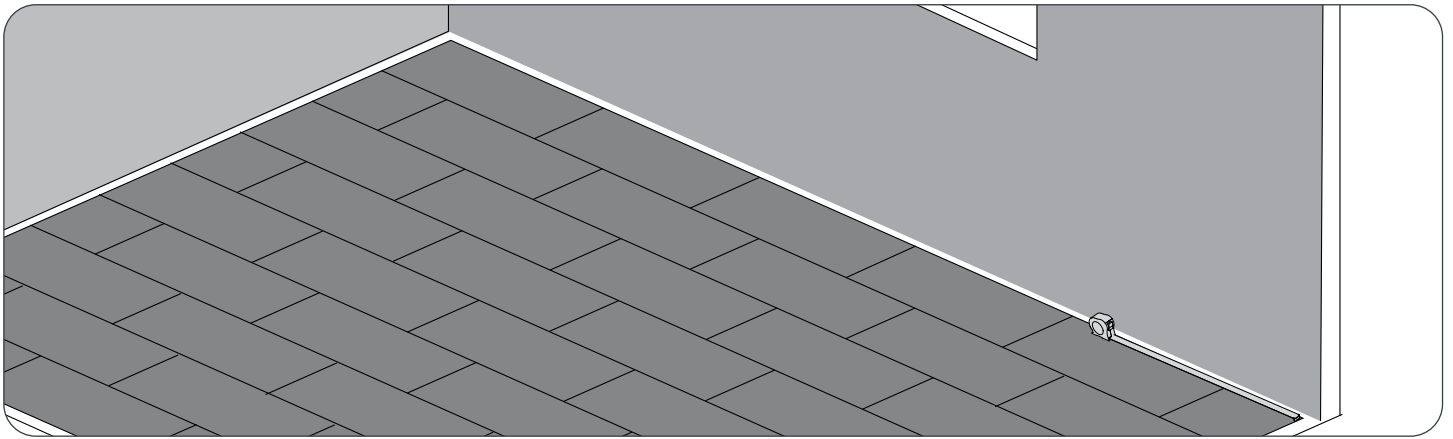
13 Siga los pasos 1 a 12 para las filas restantes de mosaicos.



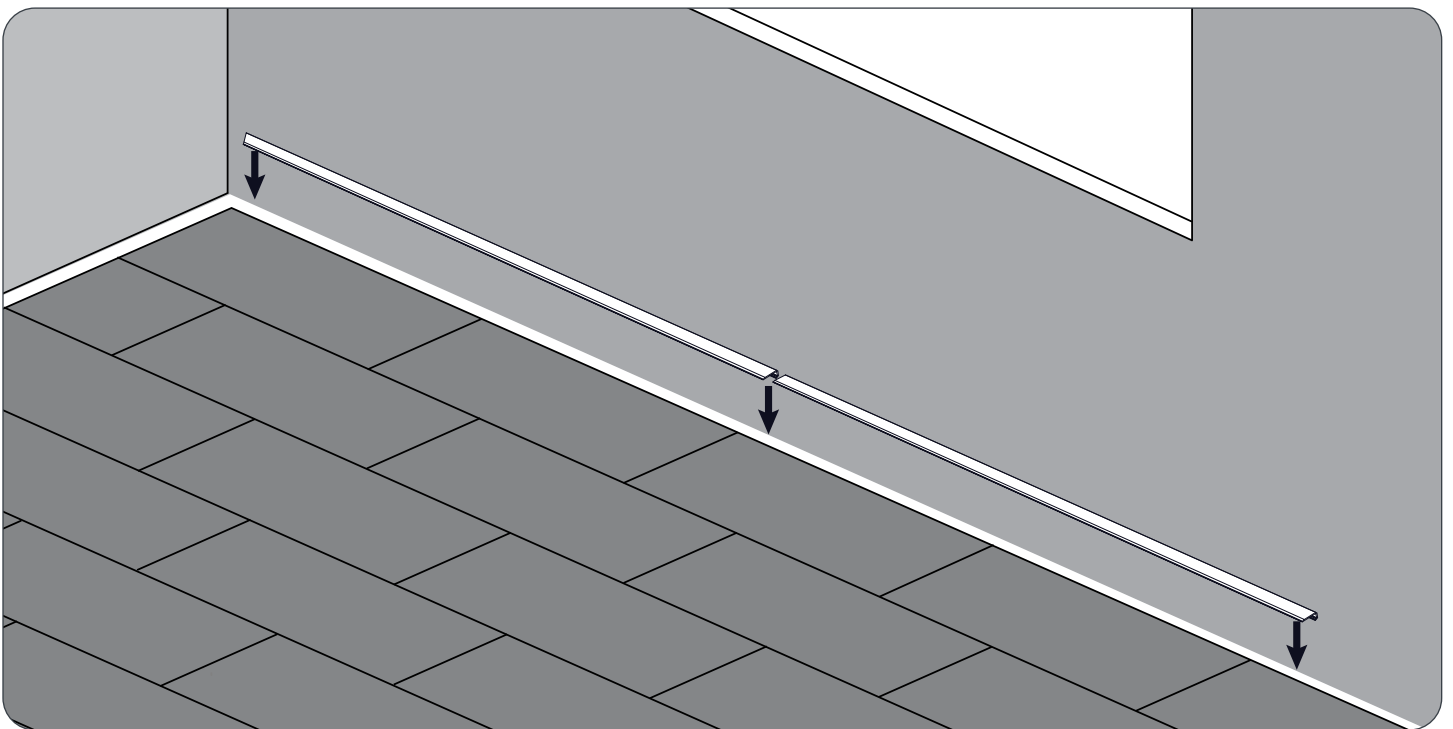
Nota: Si no se instalan listones de acabado plateado o remates para mosaicos NewAge, puede ser el momento de instalar los rodapiés y los cuartos bocel para completar su espacio.

Instalación de los listones de acabado plateado

- 1 Mida la longitud de la pared y calcule cuántos listones de acabado se necesitan.

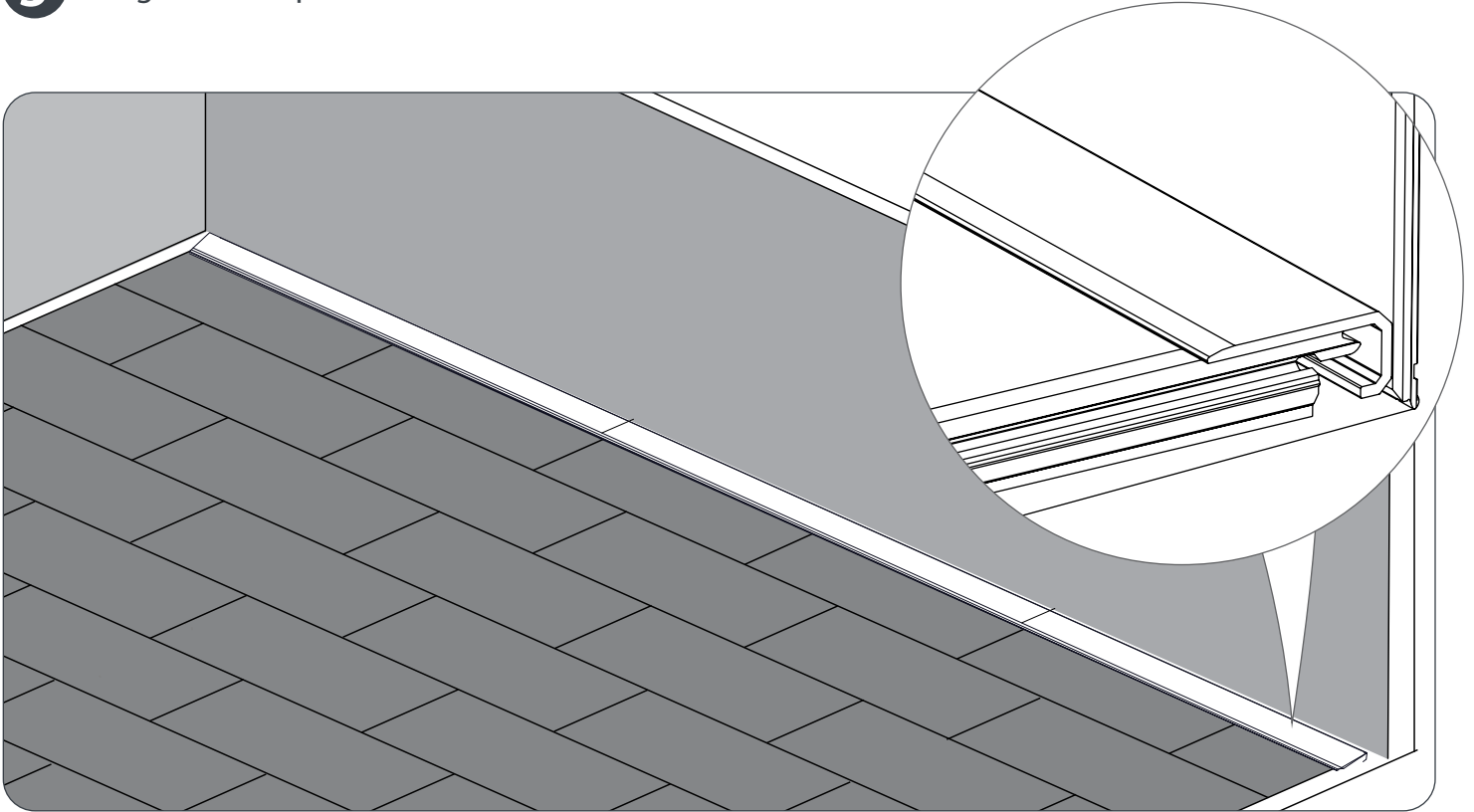


- 2 Coloque cuidadosamente los listones de acabado a lo largo de los bordes contra la pared.

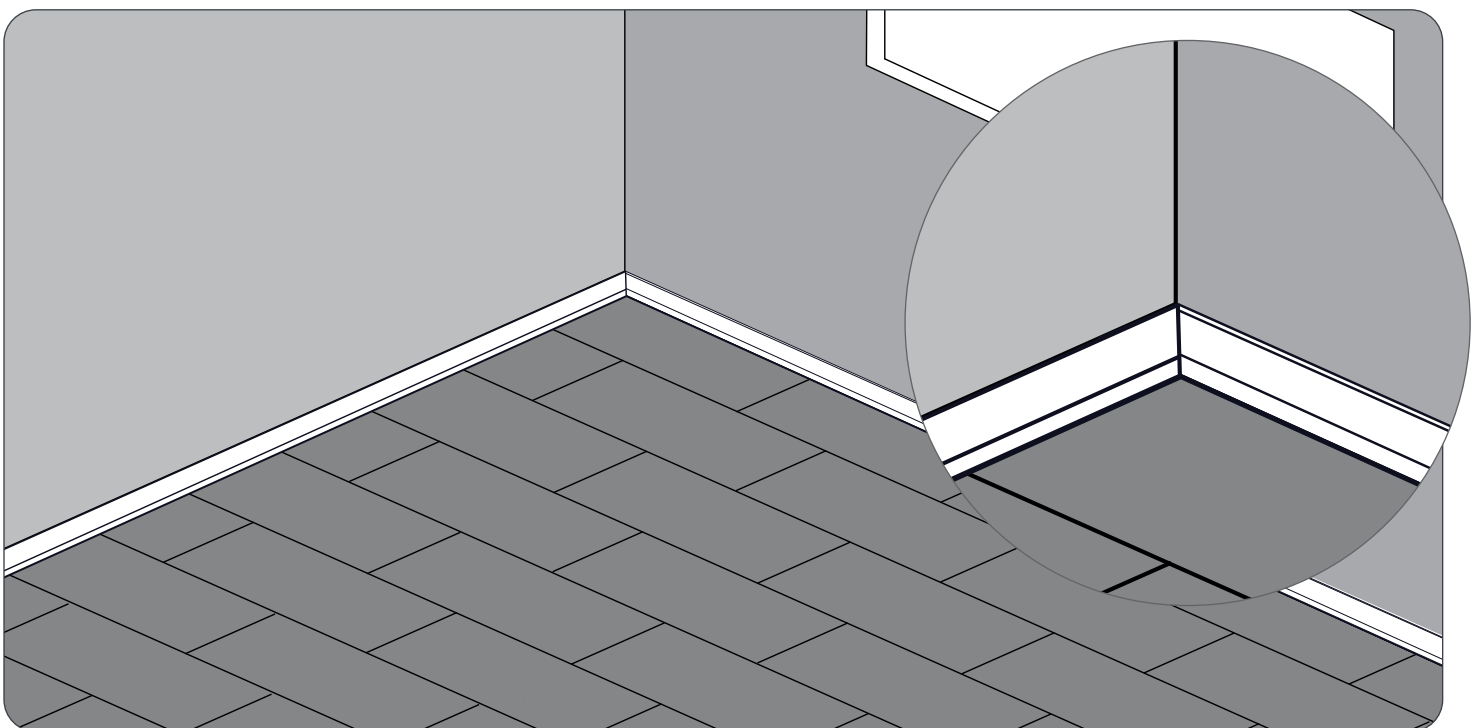


Instalación de los listones de acabado plateado

- 3** Asegúrese de que los listones de acabado cubran bien los bordes de los mosaicos.

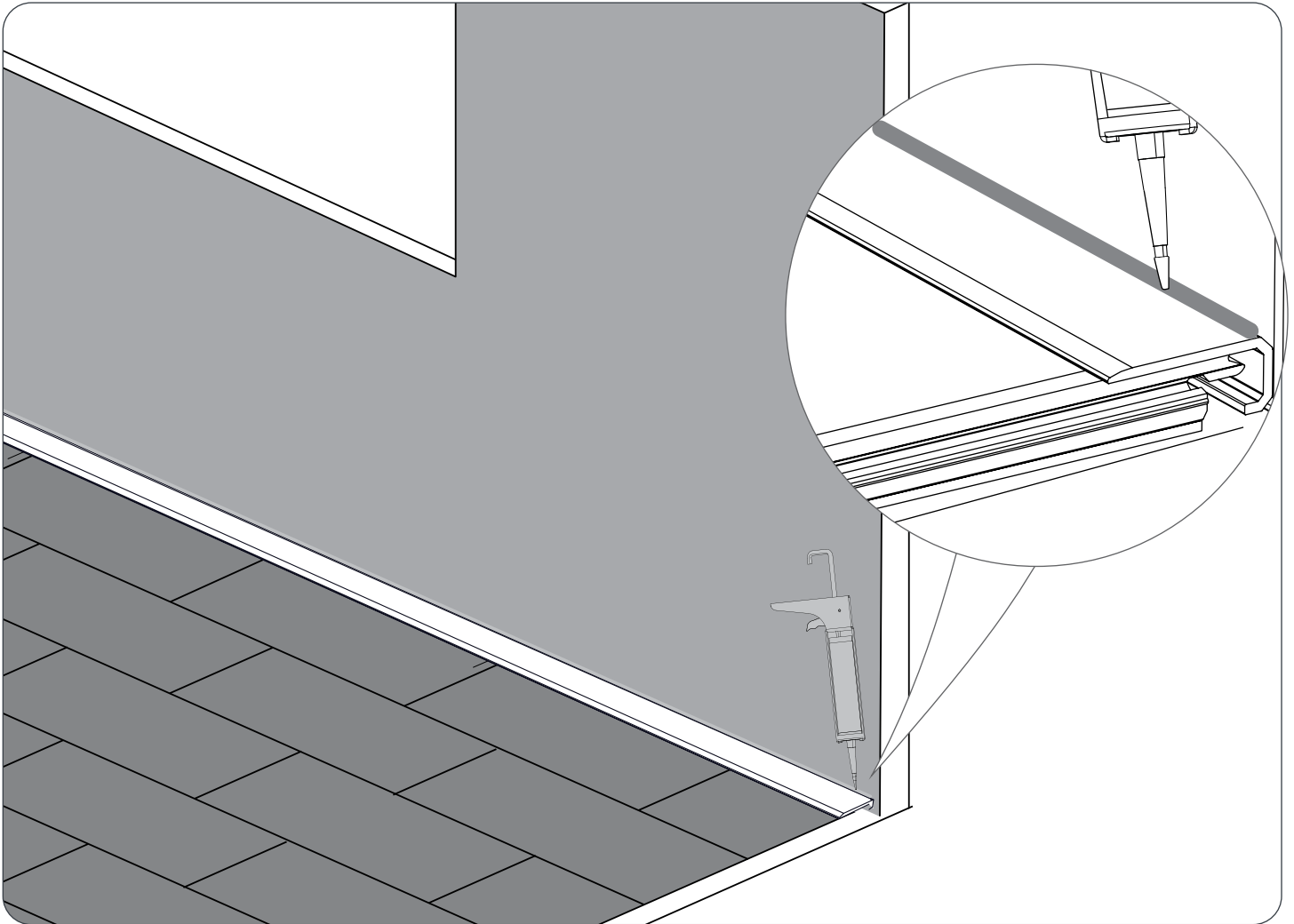


- 4** Siga los pasos 1 a 3 para los listones de acabado restantes. Para los ajustes de las esquinas, corte con una sierra ingletadora los extremos de los listones de acabado a 45 grados.



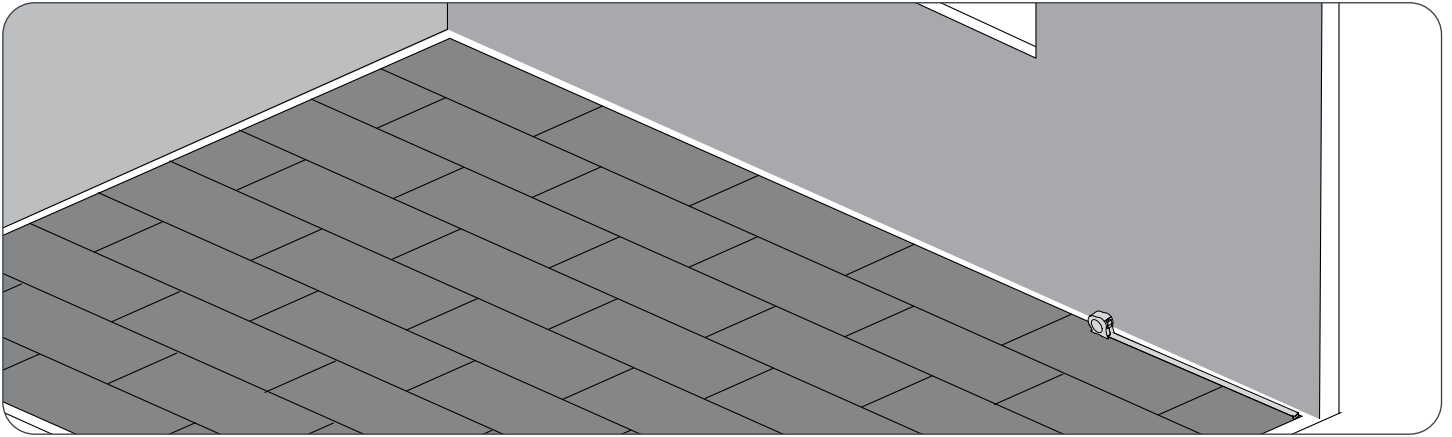
Instalación de los listones de acabado plateado

- 5** Una vez colocados todos los listones de acabado plateado, aplique silicona uniformemente en la parte superior del listón. Se recomienda aplicar la silicona hacia el final de la instalación.

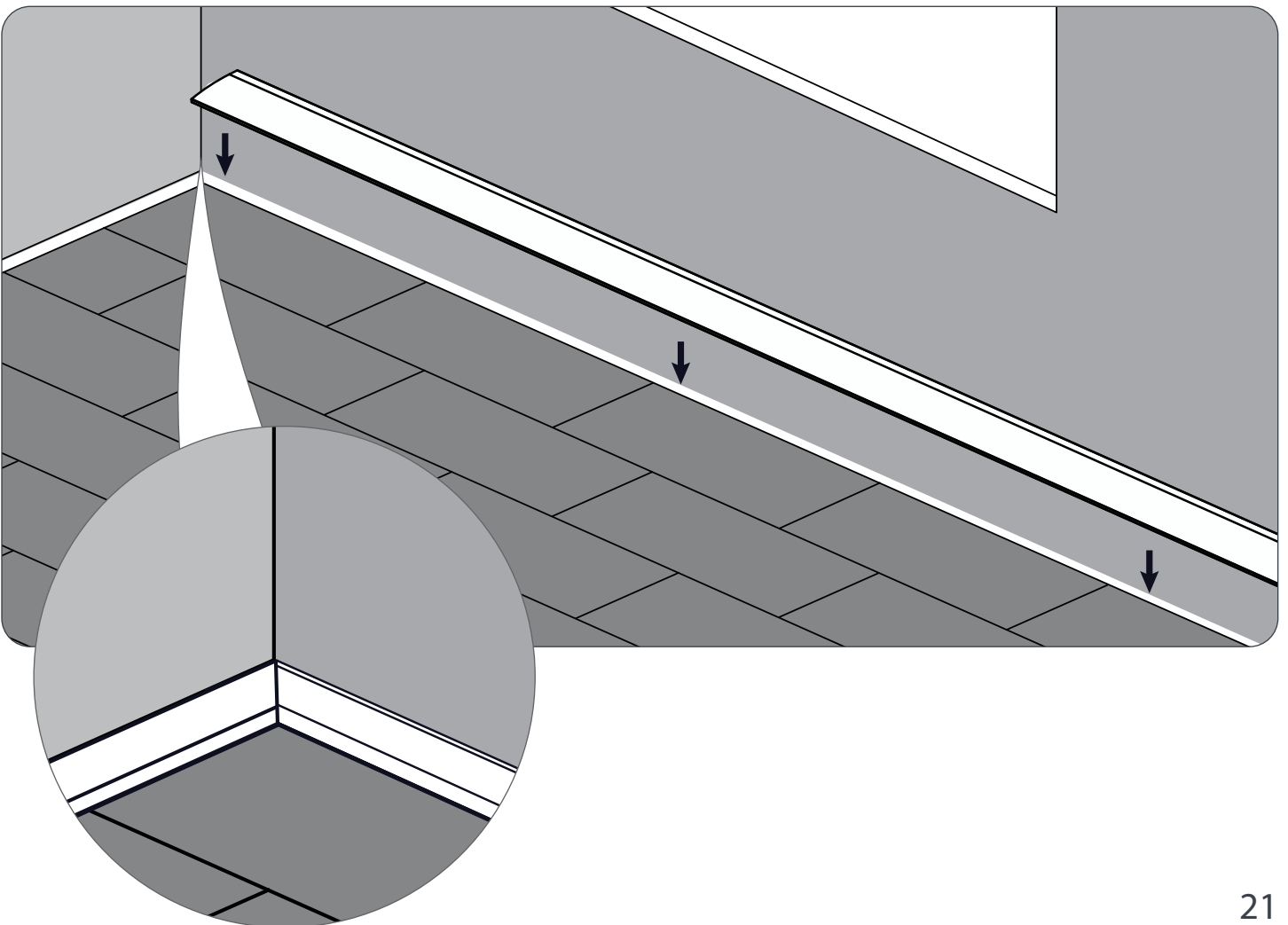


Instalación de los remates para pisos de EPDM de 75 pies

- 1** Asegúrese de que se calcula la distancia de expansión y contracción correcta, consulte [la página 13](#). Mida la longitud de la pared y corte la longitud necesaria de los extremos del producto enrollado.

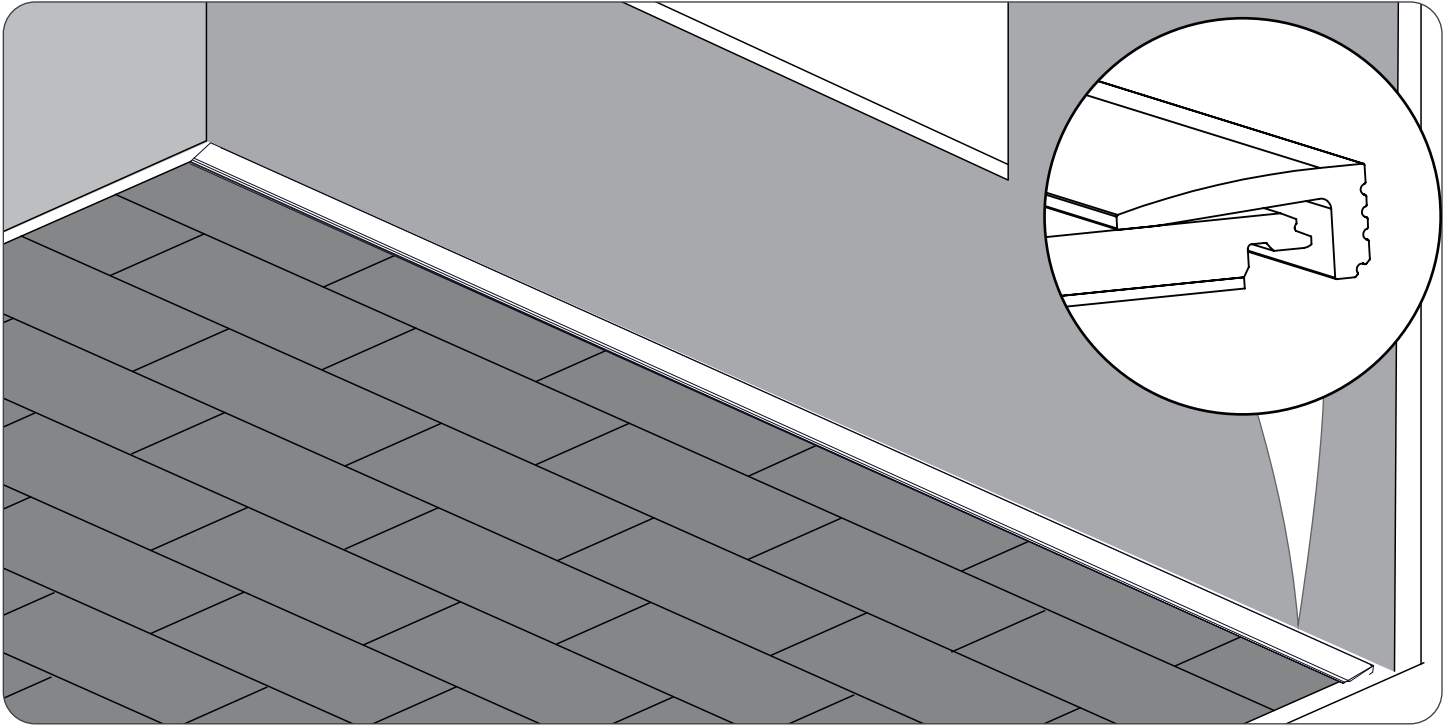


- 2** Coloque cuidadosamente los remates para mosaicos a lo largo de los bordes y contra la pared. Asegúrese de cortar con sierra ingletadora el extremo de cada listón en un corte de 45 grados, para las instalaciones de las esquinas. Con este paso se garantiza que el remate encaje adecuadamente en los huecos y que todas las piezas estén listas para su instalación.

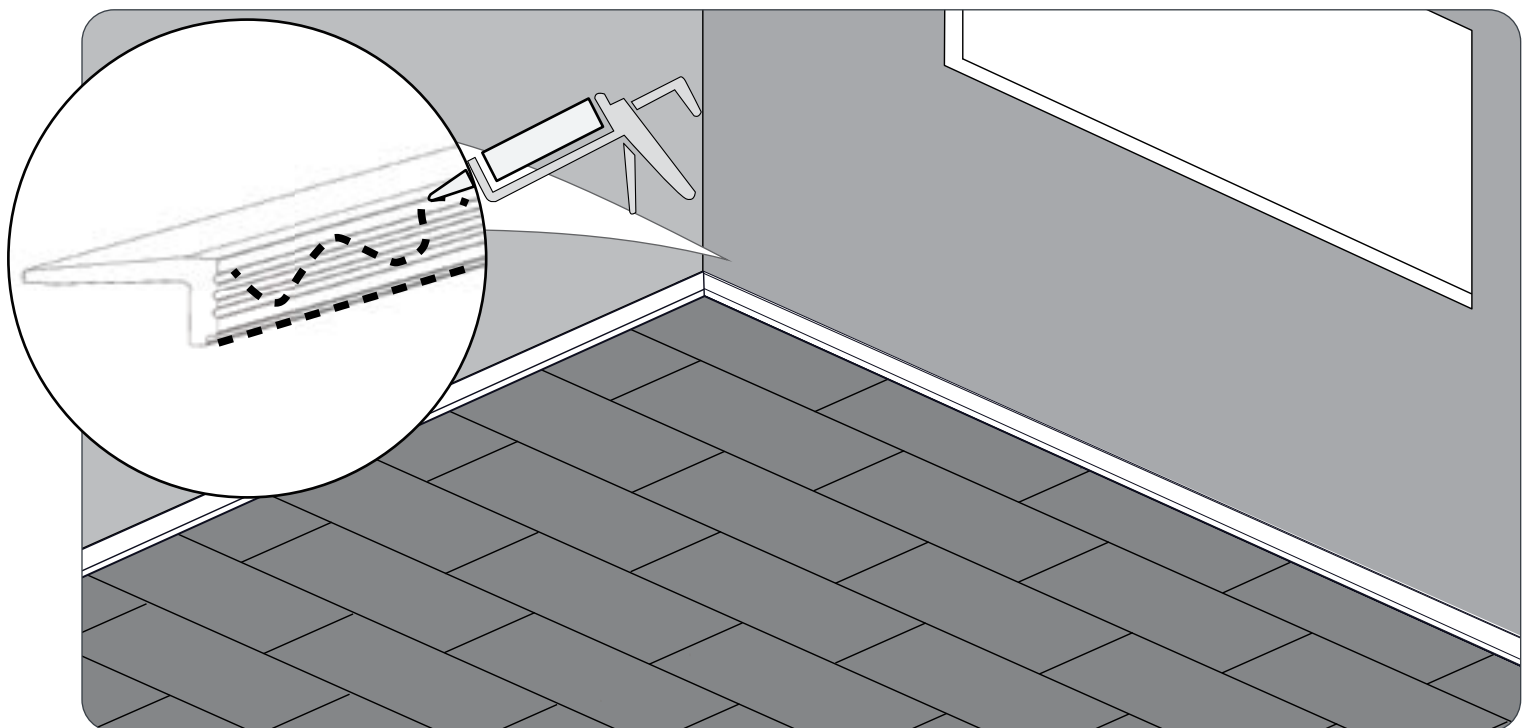


Instalación de los remates para pisos de EPDM de 75 pies.

- 3** Asegúrese de que los listones de remate del garaje cubran bien los bordes de los mosaicos.

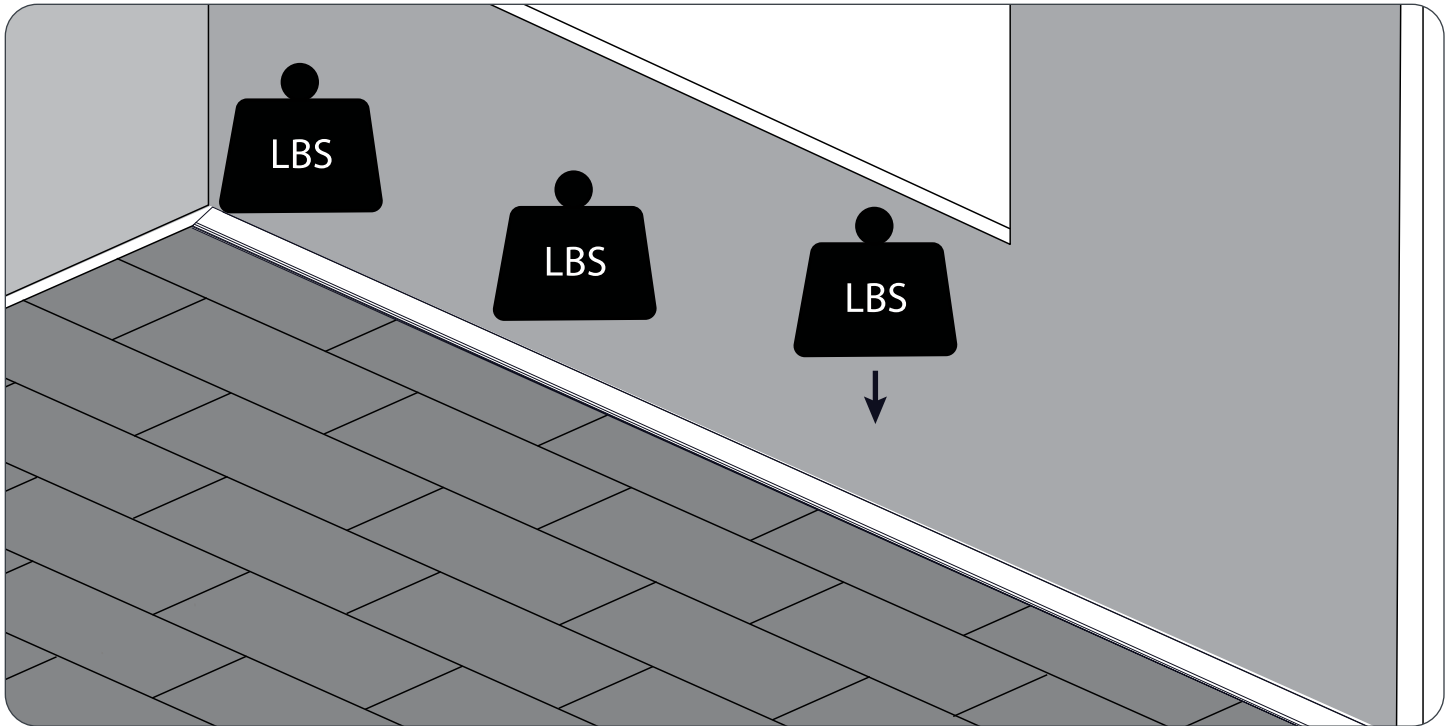


- 4** Una vez que todos los remates estén colocados y cortados según las dimensiones adecuadas, retire el primer remate y aplique el sellador de calidad comercial en la parte posterior, como se muestra claramente en la imagen a continuación.

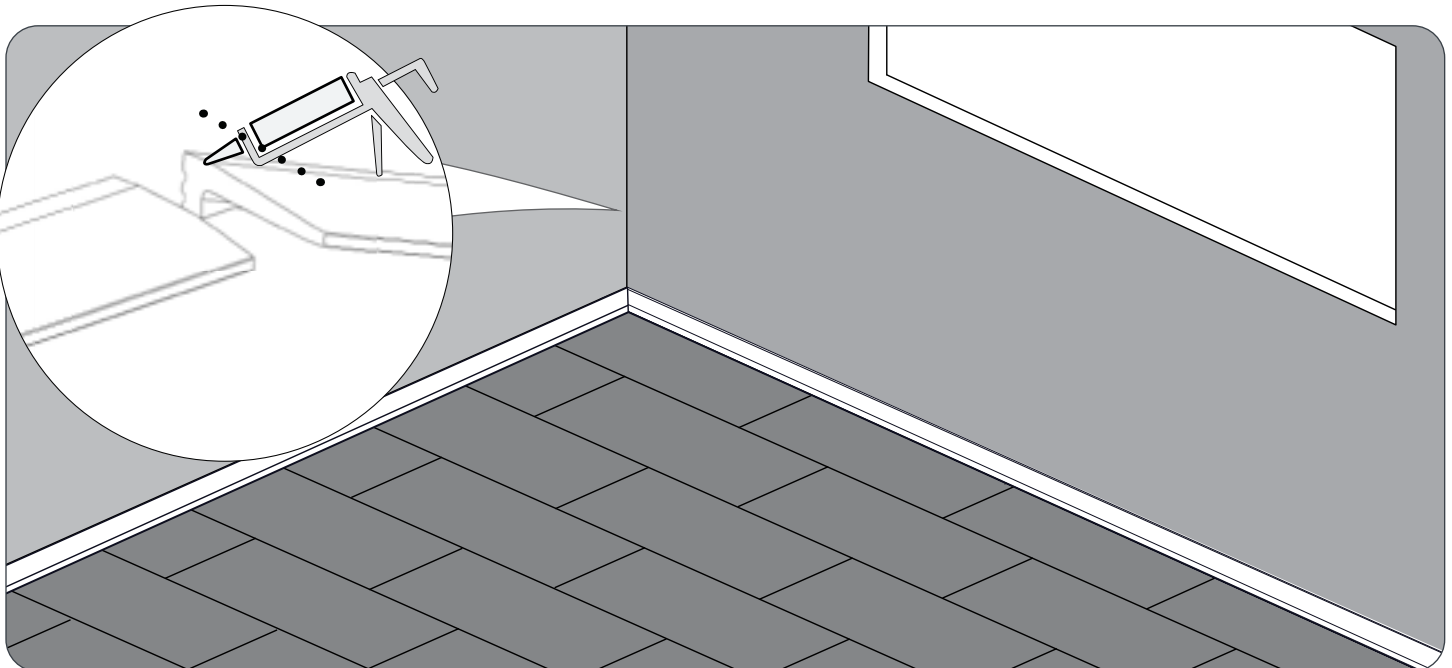


Instalación de los remates para pisos de EPDM de 75 pies

- 5** Coloque pesas uniformemente sobre el remate instalado para asegurar el producto en su lugar mientras se cura el sellador. Siga el paso 5 después de instalar cada listón.
Nota: Utilice un paño limpio y húmedo para eliminar el exceso de pegamento.



- 6** Siga instalando todos los listones de remate restantes contra la pared, y recuerde cortar con sierra ingletadora en 45 grados todos los bordes que se requieran. A medida que continúe con la instalación, recuerde colocar pesas de manera uniforme sobre los remates instalados.

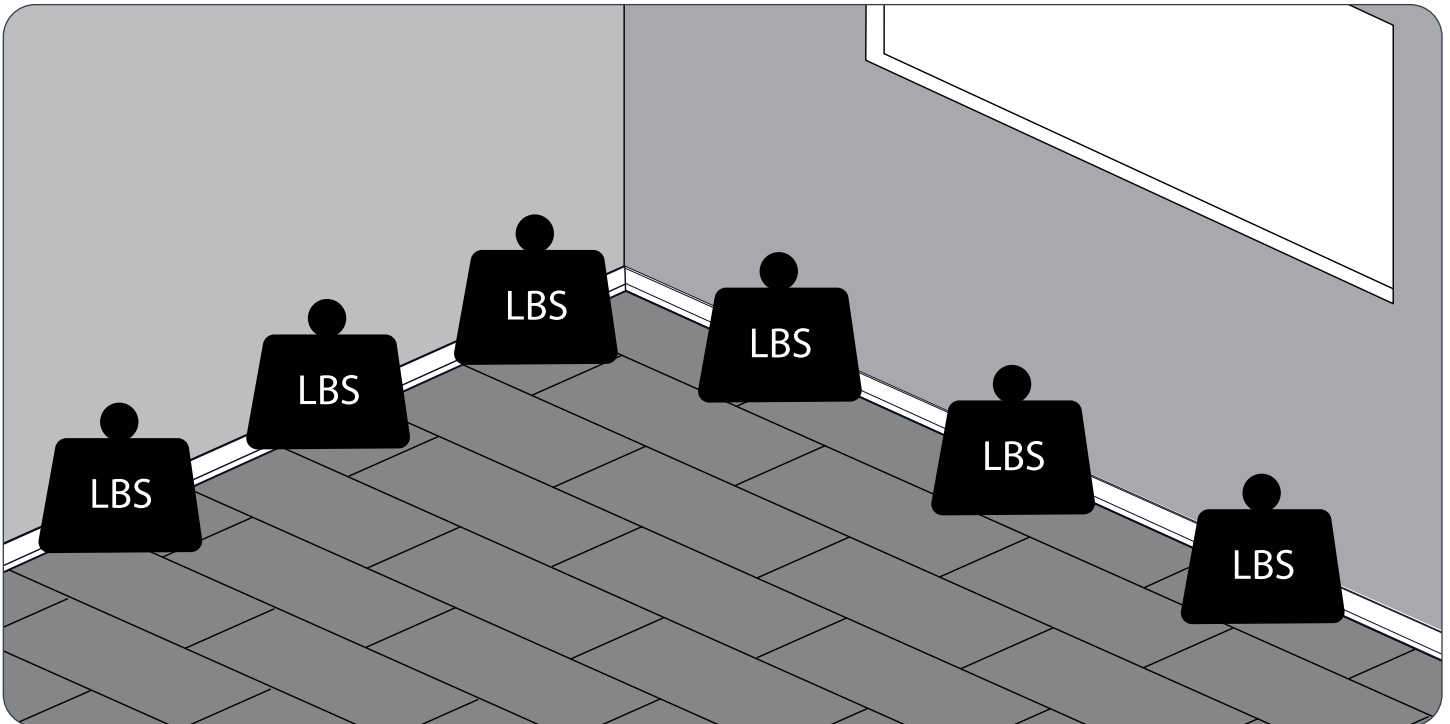


Nota: Para una mejor instalación en las esquinas, agregue un poco de sellador en el borde oblicuo, para que ambos listones queden unidos permanentemente.

Instalación de los remates para pisos de EPDM de 75 pies

- 7 Una vez instalados todos los remates, asegúrese de colocar pesas de manera uniforme sobre ellos. Si no cuenta con pesas, añada elementos de tamaño y peso similar, espaciados uniformemente en la parte superior de los remates.

Las pesas deben retirarse solo después de que el sellador esté 100% curado. Consulte las instrucciones del sellador para conocer el tiempo de curado.

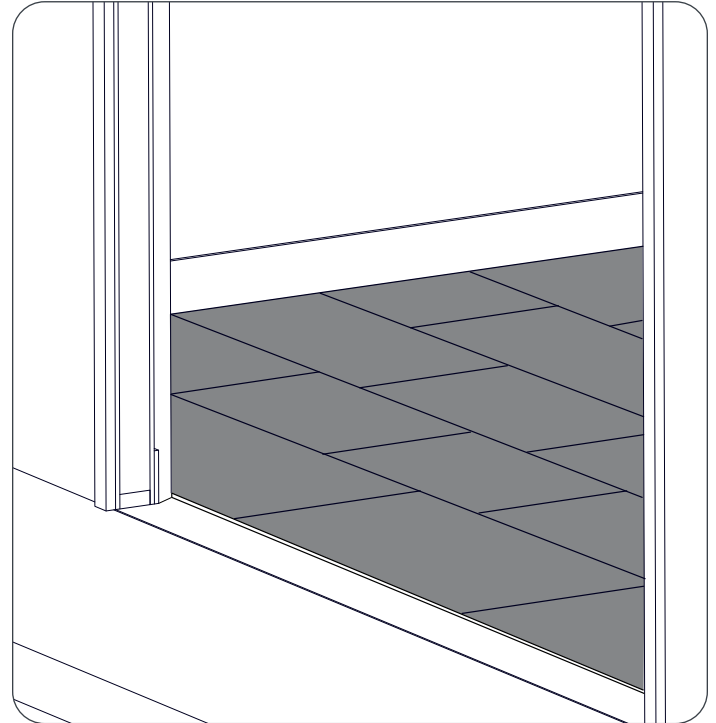



Instalación del umbral de la puerta del garaje

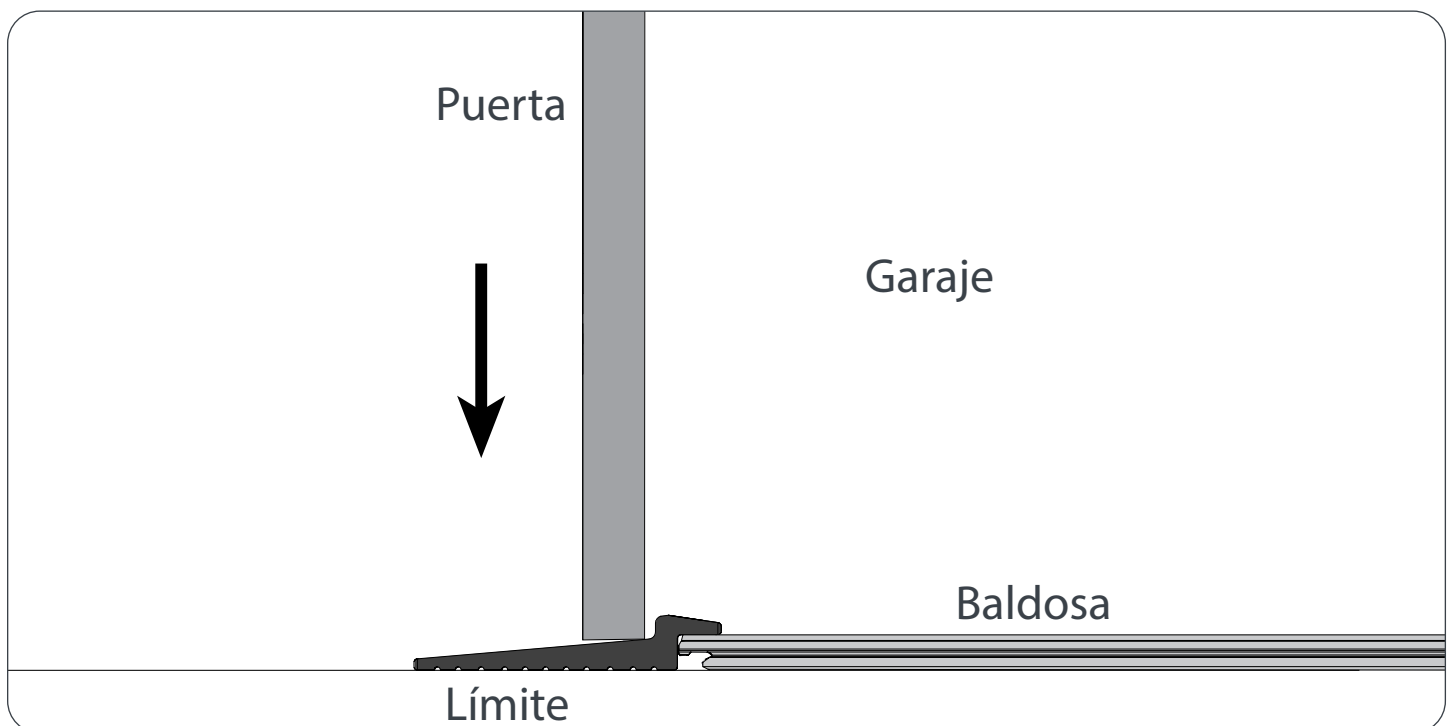
Piezas necesarias



Nota: Si el umbral se instala contra el piso, asegúrese de que el piso se haya colocado hasta la puerta del garaje para garantizar una adecuada instalación del umbral.

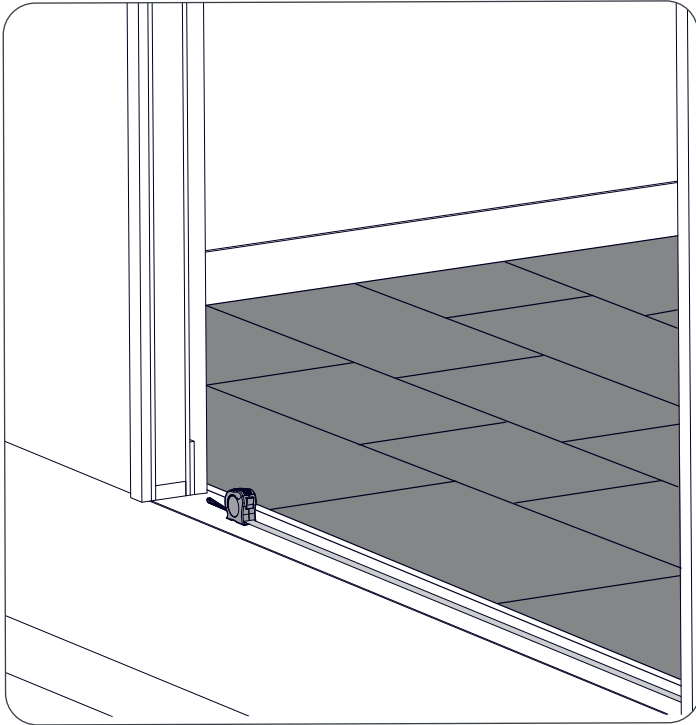


 El umbral de la puerta del garaje ha sido diseñado para ajustarse firmemente a sus pisos NewAge. Asegúrese de limpiar el área de cualquier suciedad o agua. Esto ayudará a formar un sello ajustado una vez instalado el umbral.

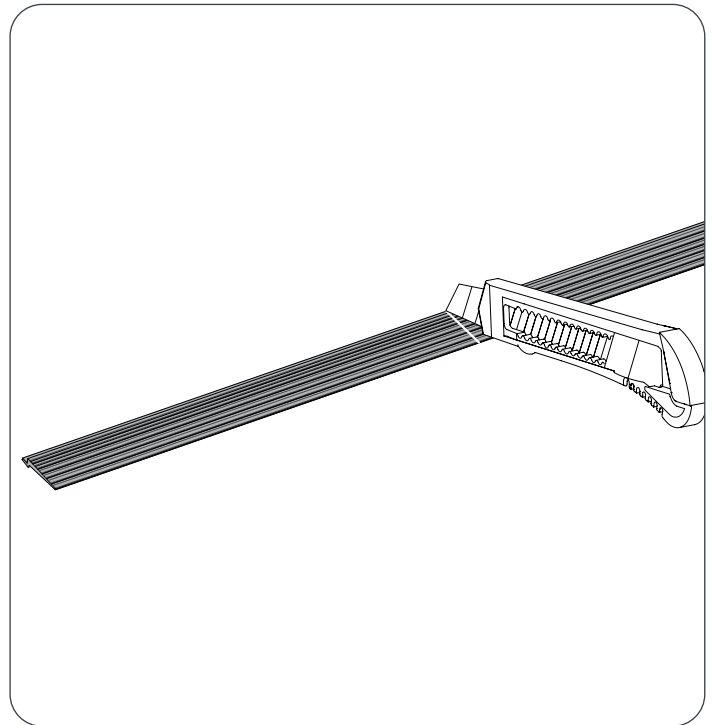


Instalación del umbral de la puerta del garaje

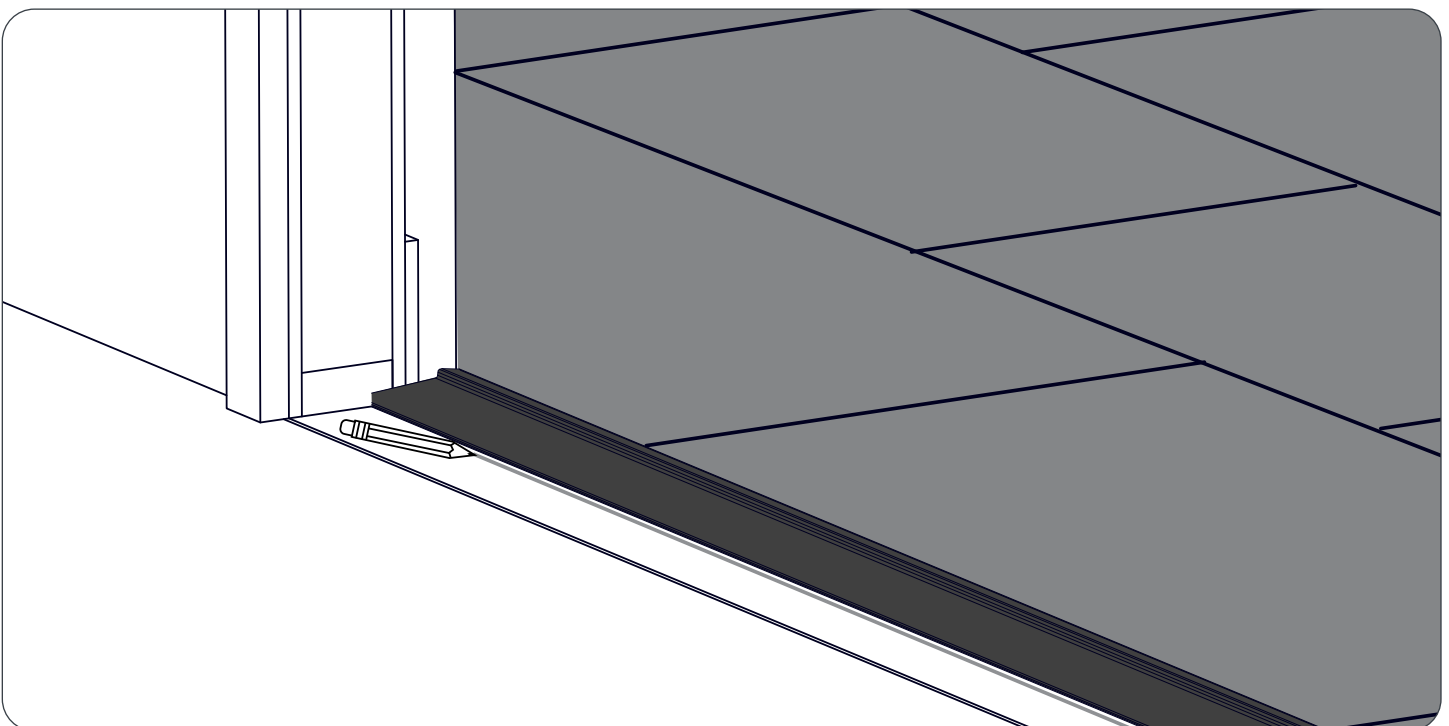
- 1** Mida la longitud de la entrada de la puerta del garaje para determinar la longitud necesaria del umbral del garaje.



- 2** Con ayuda de un cutter, corte el umbral del garaje a la longitud deseada.

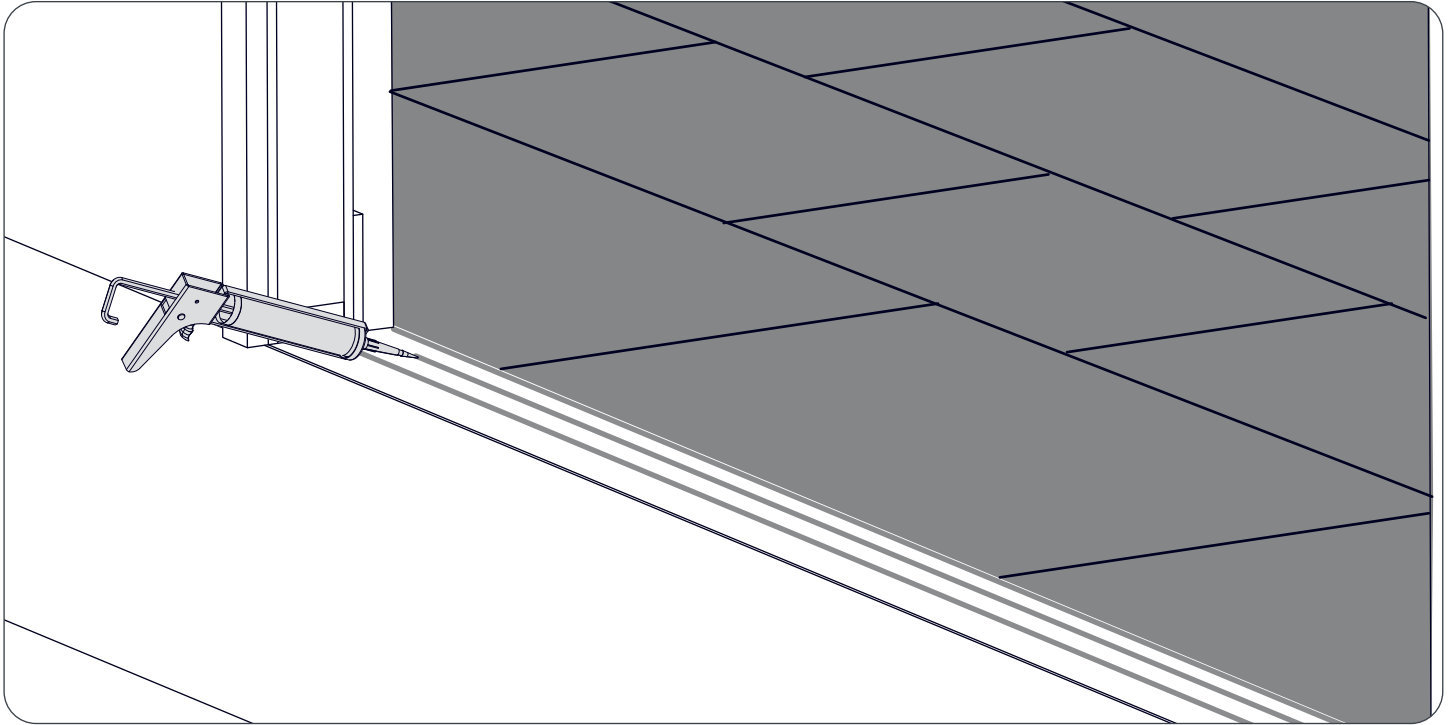


- 3** Coloque el umbral contra el piso y, con un lápiz o tiza, marque la posición del umbral.

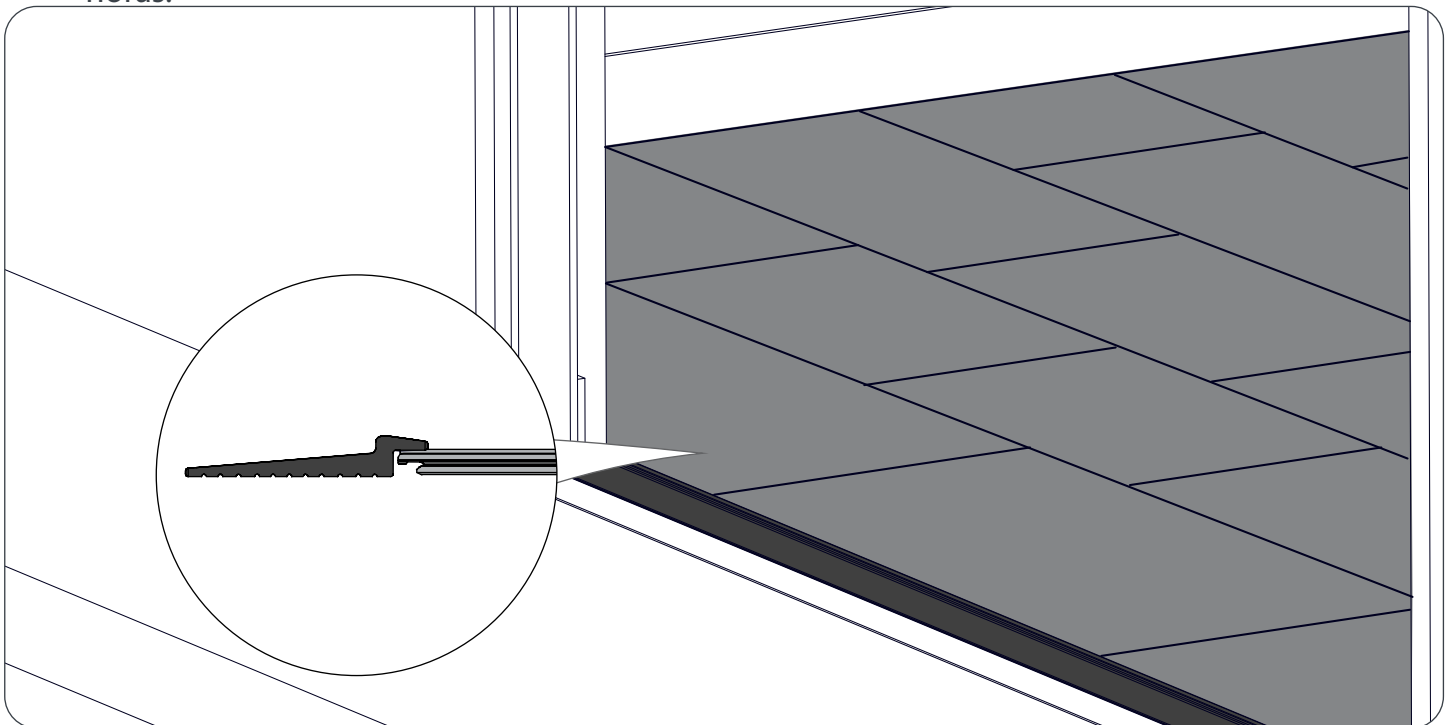


Instalación del umbral de la puerta del garaje

- 4** Retire el umbral y aplique uniformemente tres filas de pegamento a lo largo de toda la puerta entre las marcas.



- 5** Coloque cuidadosamente el umbral. Presione firmemente el sellador del umbral de la puerta en la posición correcta. Limpie el exceso de pegamento en las esquinas con un paño limpio. Cierre la puerta del garaje para mantener una presión constante en el umbral durante 24 horas.



Nota: No conduzca ningún vehículo por encima del umbral del garaje durante 24 horas.

Cuidado y mantenimiento

Para garantizar un producto duradero y resistente, le recomendamos que:

Haga lo siguiente:

- Limpie cualquier derrame lo antes posible. No utilice herramientas de limpieza abrasivas en ninguno de los productos de lujo compuestos de piedra NewAge.
- Utilice un trapeador o paño limpio cada vez que limpie el piso compuesto de piedra NewAge.
- Barra, quite el polvo, pase el trapeador o la aspiradora (sin cepillo giratorio) con frecuencia en sus pisos para eliminar cualquier partícula.
- Evite los derrames de pinturas, tintes o productos químicos abrasivos.

No haga lo siguiente:

- Aspirar con un cepillo giratorio.
- Utilizar productos de limpieza o acabados destinados a otros tipos de pisos, como los de mosaicos de cerámica o los pisos de madera. Los agentes de limpieza no deben contener ceras, aceites ni abrillantadores.
- Utilizar herramientas de limpieza muy abrasivas o productos de "trapeado y abrillantado".

Atención proactiva

- NewAge Products Inc. no recomienda el uso de alfombras de caucho o con base de látex. Los productos químicos que se encuentran en las alfombras de caucho o látex podrían decolorar sus pisos. Utilice una alfombra con base de vinil que no manche o una alfombra tejida que no se decolore.
- Cuando traslade objetos o muebles pesados, utilice láminas protectoras y "alce" el objeto en lugar de arrastrarlo.
- Mantenga cortadas las uñas de sus mascotas

Garantía

NewAge Products Inc, una sociedad de responsabilidad limitada constituida y vigente conforme a las leyes de Ontario, Canadá, con domicilio social en 1190 Caledonia Road, North York, Ontario, Canadá, M6A 2W5 ("NewAge Products").

Productos y cobertura

Producto	Capa de desgaste	*Residencial	**Comercial	***Espacios de garaje
Mosaicos de piso compuesto de piedra de 9.5 mm	0.7 mm / 27.6 milipulgadas	◦ Vida útil limitada	◦ Limitada a 10 años Comercial	◦ Limitada a 5 años
Tablones de piso compuesto de piedra de 9.5 mm	0.7 mm / 27.6 milipulgadas	◦ Vida útil limitada	◦ Limitada a 10 años Comercial	◦ Limitada a 5 años

* **Residencial:** Se refiere a espacios residenciales interiores

****Comercial:** Se refiere a entornos de tráfico intenso como oficinas, edificios públicos, tiendas minoristas, restaurantes, salas de exposiciones, guarderías y áreas comunes de edificios.

*****Espacios de garaje:** Se refiere a espacios de garaje residenciales. Los pisos de lujo compuestos de piedra NewAge han sido diseñados para que puedan resistir y soportar un tráfico intenso y frecuente.

◦ Las limitaciones de esta garantía se definen en las exclusiones que se indican en la [página 32](#)

Los pisos compuestos de piedra NewAge Products han sido diseñados para que puedan resistir el tráfico tanto en espacios comerciales como residenciales, lo que los convierte en la solución de piso ideal para sus necesidades. Siempre y cuando se cumpla con los cuidados y el mantenimiento previstos durante los años de validez de la garantía, los pisos compuestos NewAge Products Stone son:

Resistentes al agua: los pisos compuestos de piedra NewAge no se hinchan ni pierden su integridad al estar en contacto con agua.

Resistentes a los arañazos: los pisos compuestos de piedra NewAge son resistentes a arañazos ligeros y superficiales que no atraviesen la capa decorativa superior.

Resistentes a las manchas: los pisos compuestos de piedra NewAge son resistentes a las manchas producidas por artículos domésticos y consumibles.

Adecuados para mascotas: los pisos compuestos de piedra NewAge no emiten productos químicos nocivos y pueden resistir las manchas causadas por accidentes.

No es necesario aclimatarlos: los pisos compuestos de piedra NewAge no requieren 24 horas de aclimatación antes de su instalación.

Garantía (Cont.)

Disposiciones

Esta garantía es intransferible y se aplica al comprador original y al lugar de instalación original en el momento de la compra. Se requiere un comprobante de compra, por lo que le rogamos que conserve el recibo o lo obtenga del comprador original. Bajo ninguna circunstancia, NewAge Products se considerará responsable de pérdidas de tiempo, inconvenientes, gastos, costos u otros daños consecuentes causados por o resultantes de un problema sobre el que se haga una reclamación. NewAge Products excluye cualquier responsabilidad por pérdida de utilidades y no pagará ningún otro daño indirecto, especial, incidental o consecuente en virtud de esta garantía.

Antes de la instalación

Antes de la instalación, asegúrese de haber leído las instrucciones de instalación y de haber inspeccionado los productos. No deberá instalarse ninguna pieza con defectos y NewAge Products no se hará responsable de los pisos instalados con defectos visuales.

¿Qué está cubierto?

Residencial

Si se instalan correctamente según las instrucciones de instalación proporcionadas y se cumple con el mantenimiento adecuado, se garantiza, con respecto a los productos mencionados (Stone Composite Luxury Flooring) de NewAge, durante la cobertura de la garantía, que:

- La capa superior de desgaste decorativo no se desgastará¹. Los arañazos, los cortes, las abolladuras o la reducción del nivel de brillo no se consideran desgaste.

-No se mancharán² con artículos consumibles como alimentos, bebidas y artículos domésticos comunes, por ej., con productos de limpieza.

-Sus bordes no se curvarán.

-No se rasgarán ni se romperán con un uso doméstico normal.

-No sufrirán decoloración, crecimiento de moho u hongos a partir de la capa base preadherida.

Desgaste¹: Se define como daño a la capa decorativa superior debido al uso doméstico.

Mancha²: Se define como una decoloración permanente de la superficie del piso que no se pueda solucionar con una limpieza.

Comercial

Si se instalan correctamente siguiendo las instrucciones de instalación indicadas y se cumple con las instrucciones correctas de cuidado y mantenimiento, NewAge Products garantiza que, durante la cobertura de la garantía, los productos caracterizados como pisos de lujo compuestos de piedra (Stone Composite Luxury Flooring):

- No se desgastarán¹ en su capa de desgaste decorativa superior durante el periodo de cobertura de la garantía establecido anteriormente.

- No se mancharán² con artículos consumibles como alimentos, bebidas y productos de limpieza.

Garantía (Cont.)

- No se curvarán en sus bordes.

- No sufrirán decoloración, crecimiento de moho u hongos a partir de la capa base preadherida.

Al elegir un piso, tenga en cuenta el espacio en que se instalará y seleccione una capa decorativa que resista el nivel de tráfico peatonal previsto. Si tiene preguntas sobre una aplicación específica, póngase en contacto con un representante de NewAge Products antes de su compra.

Desgaste¹: Se define como daño a la capa decorativa superior debido al uso doméstico.

Mancha²: Se define como una decoloración permanente de la superficie del piso que no se pueda solucionar con una limpieza.

Sustituciones y reparaciones

En caso de que NewAge Products Inc. sustituya cualquier piso cubierto por esta garantía, esta última permanecerá vigente con respecto al piso durante un período limitado a la duración elegible restante de la garantía original. Durante la vigencia de la garantía, NewAge Products Inc. sustituirá el piso defectuoso una vez por un nuevo material de piso de color y patrón similares a los fines de reemplazar el área que presente defectos. No habrá ninguna otra forma de compensación.

Para cualquier consulta o pregunta adicional sobre los términos de esta garantía, póngase en contacto con el servicio de atención al cliente de NewAge Products llamando al 1.877.306.8930. NewAge Products se reserva el derecho de solicitar imágenes, pruebas o información que puedan requerirse para determinar la naturaleza de cualquier reclamación en virtud de esta Garantía. Si no proporciona esta información, su solicitud puede ser rechazada.

¿Qué significa “resistente al agua”?

Si se expone al agua, los pisos de lujo compuestos de piedra NewAge no se hincharán ni perderán su integridad. Los accidentes con presencia de agua deben limpiarse de inmediato y se deben seguir los pasos de cuidado y mantenimiento indicados. NewAge Products no puede garantizar que la instalación sea resistente al agua en los casos de instalaciones inadecuadas de los pisos y/o errores humanos durante la instalación de estos.

En casos de grandes estancamientos de aguas o inundaciones, los pisos de lujo compuestos de piedra NewAge no actuarán como barrera para el contrapiso o cualquier otra estructura circundante. En caso de inundación y si los contrapisos o las estructuras circundantes sufrieran daños, estos últimos no estarán cubiertos por la presente garantía. En caso de que el agua o la humedad quede atrapada bajo el piso debido a un contrapiso inadecuado o a una instalación incorrecta, los pisos no estarán cubiertos por esta garantía.

¿Qué significa “resistente a los arañazos”?

Los pisos de lujo compuestos de piedra NewAge son resistentes a ligeros arañazos³ y abolladuras en la superficie, lo que los hace muy duraderos para un uso residencial y comercial. Los pisos de lujo compuestos de piedra NewAge no sufrirán daños físicos ni se decolorarán siempre que se sigan los cuidados y el mantenimiento adecuados. Los arañazos causados intencionalmente o debido a una manipulación descuidada no estarán cubiertos por esta garantía.

Arañazos superficiales ligeros³: se refiere a arañazos que no atraviesen la capa de protección superior ni el patrón impreso.

Garantía (Cont.)

¿Qué significa “resistente a las manchas”?

Al exponerse a accidentes como suciedad, derrames de productos de limpieza domésticos, residuos de mascotas y consumibles, los pisos de NewAge Products no se mancharán. En caso de que se produzca algún accidente, deben limpiarse de inmediato y seguir los pasos de cuidado y mantenimiento que se indican. El mal uso del producto y la falta de cuidado no estarán cubiertos por esta garantía.

¿Qué significa “Pet Friendly”?

Los pisos compuestos de piedra NewAge no emiten productos químicos nocivos y pueden resistir las manchas causadas por accidentes. En caso de que se produzca algún accidente, debe limpiarse de inmediato y seguir los pasos de cuidado y mantenimiento que se indican. El mal uso del producto y la falta de cuidado no estarán cubiertos por esta garantía. Los arañazos causados por animales domésticos no estarán cubiertos por esta garantía.

¿Qué significa “sin aclimatación”?

Los pisos de lujo compuestos de piedra NewAge son muy resistentes y no requieren una aclimatación de 24 a 48 horas antes de su instalación.

Exclusiones

Los siguientes elementos no están cubiertos por esta garantía:

- Pequeñas diferencias de tonalidad, color o textura entre las muestras, las fotografías y los productos entregados
- Daños por causas naturales o fortuitas, como incendios e inundaciones.
- Daños causados por abuso intencional, falta de mantenimiento, quemaduras, fuego, derrames de productos químicos fuertes, construcción o instalación.
- Daños causados por cepillos giratorios de aspiradoras, por rodar cargas de forma inadecuada, rodar cargas con ruedas de manera inadecuada, sillas u otros muebles sin la debida protección del piso. Cuando traslade muebles o electrodomésticos, asegúrese de que sus pisos estén protegidos para evitar la aparición de rozaduras o roturas.
- Daños causados durante la instalación, incluida la instalación de pisos defectuosos y el incumplimiento de las instrucciones de instalación.
- Daños causados por condiciones de humedad en la estructura circundante, como paredes, contrapisos, accesorios, capas base, molduras, remates, elementos de calefacción en contrapisos o cualquier otro elemento que no ofrezca integridad estructural o estabilidad a los pisos compuestos de piedra NewAge.
- Cambios en el color o el brillo debido al uso de alfombras de caucho o látex.
- Si el piso se vende “tal cual” sin garantía.
- Pisos instalados en exteriores. Los pisos de lujo compuestos de piedra NewAge no han sido diseñados para instalaciones en exteriores.
- Instalación inadecuada de los productos y actividades inapropiadas de los usuarios finales, entre ellas no seguir adecuadamente las instrucciones de cuidado y mantenimiento o de instalación proporcionadas.

Garantía (Cont.)

- La pérdida de brillo en el acabado con el paso del tiempo es compatible con el desgaste normal y no constituye un defecto del producto.

- Los arañazos ligeros en la superficie³ con el paso del tiempo se consideran un desgaste normal y no constituyen un defecto del producto.

- Arañazos o abolladuras causados por accidentes.

- Defectos evidentes una vez instalados. Es responsabilidad del cliente inspeccionar todos los productos antes de su instalación.

- Los pisos compuestos de piedra NewAge han sido diseñados para soportar áreas de tráfico intenso, inclusive garajes. No obstante, puede producirse una decoloración.

Arañazos superficiales ligeros³: se refiere a los arañazos que no atraviesen la capa de protección superior y el patrón impreso.